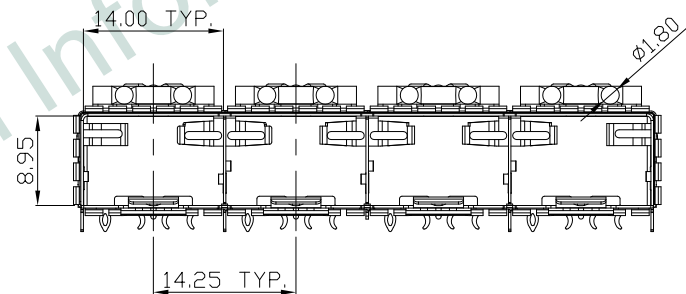
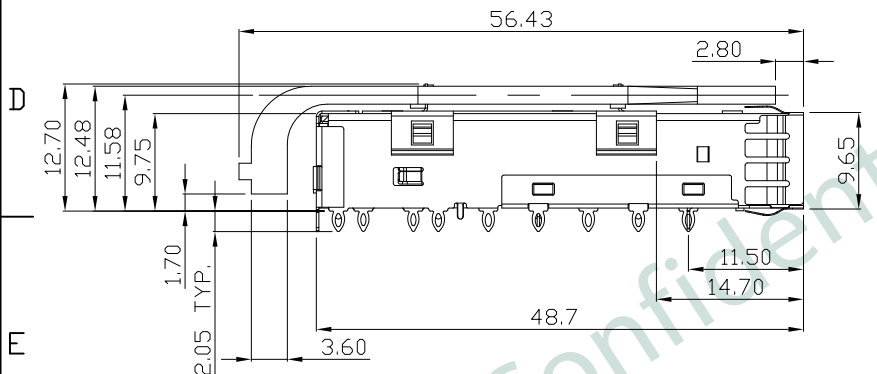
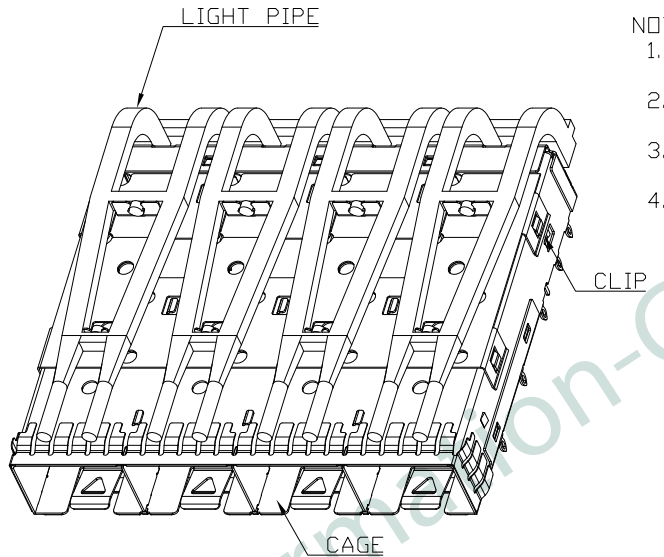
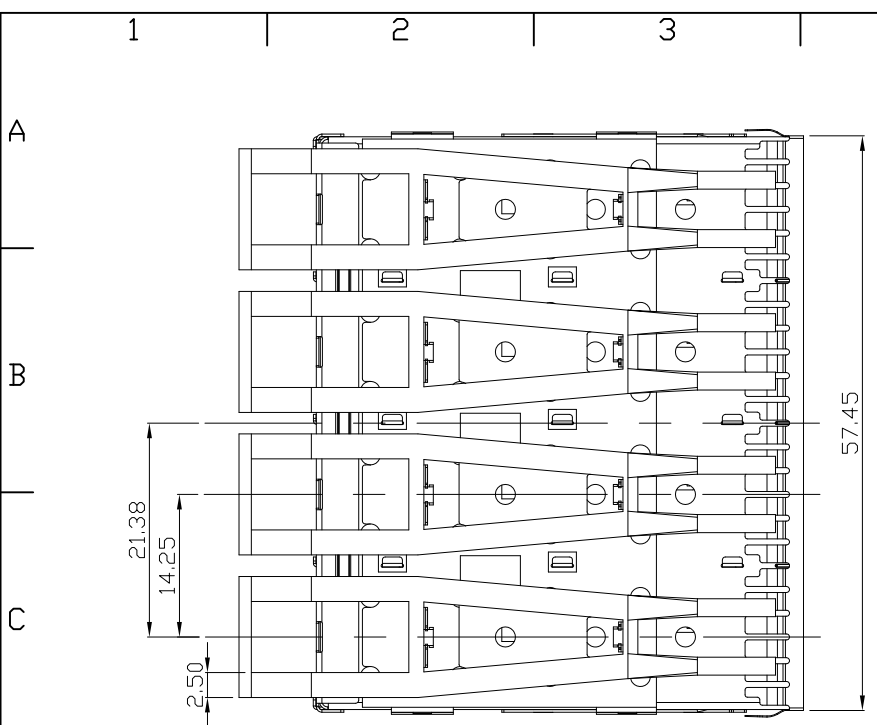
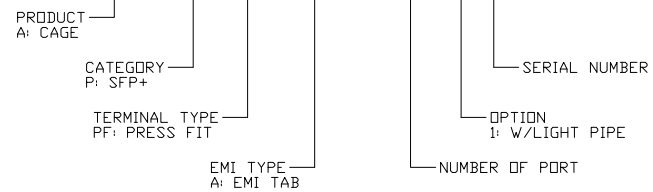


REV.	DATE	DESCRIPTION
01	Jul. 05, '18	1st RELEASE

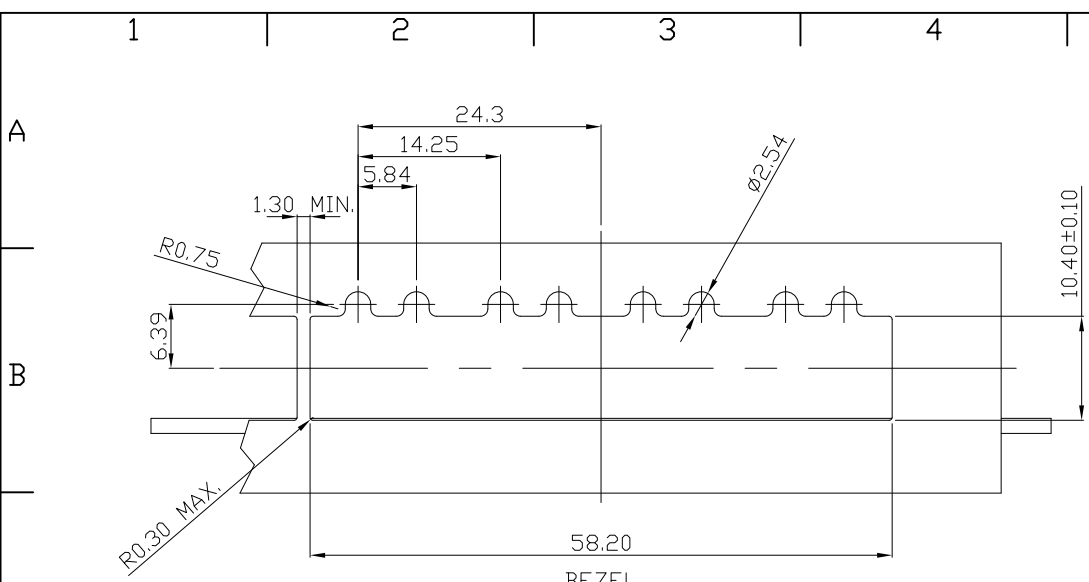
- NOTES:
1. CAGE: T=0.25mm COPPER ALLOY
 2. CLIP: STAINLESS STEEL
 3. LIGHT PIPE: POLYCARBONATE COLOR-CLEAR
 4. UNSPECIFIED TOLERANCE: .XXX ±0.15
.XX ±0.25



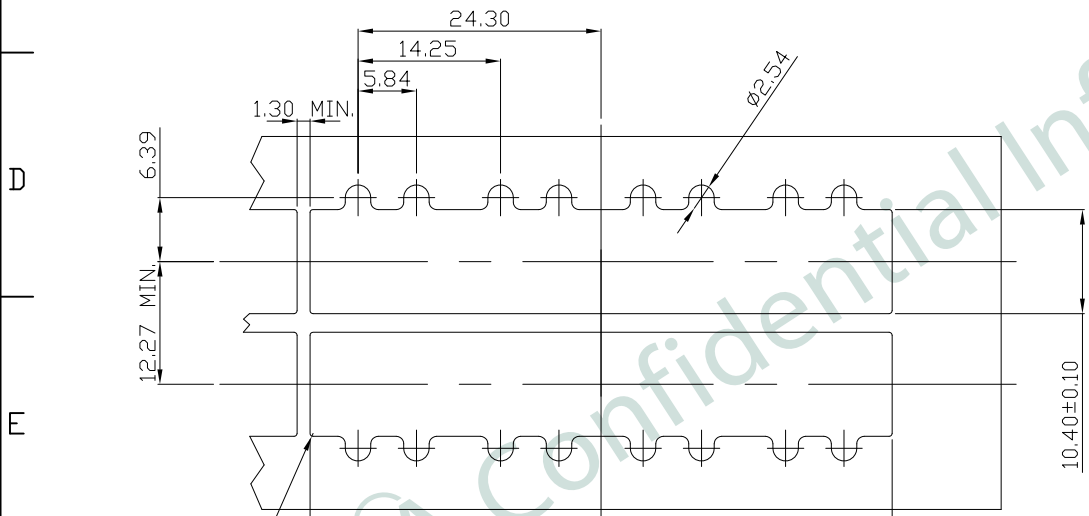
KSFP-A-PPFA-0412



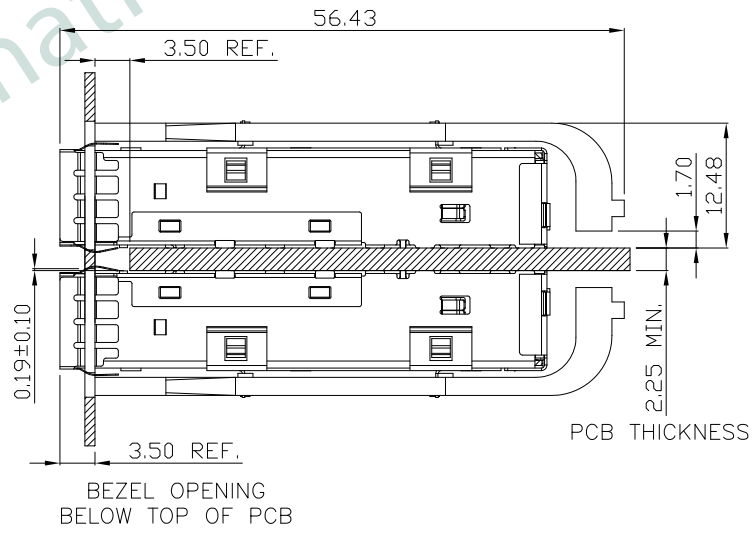
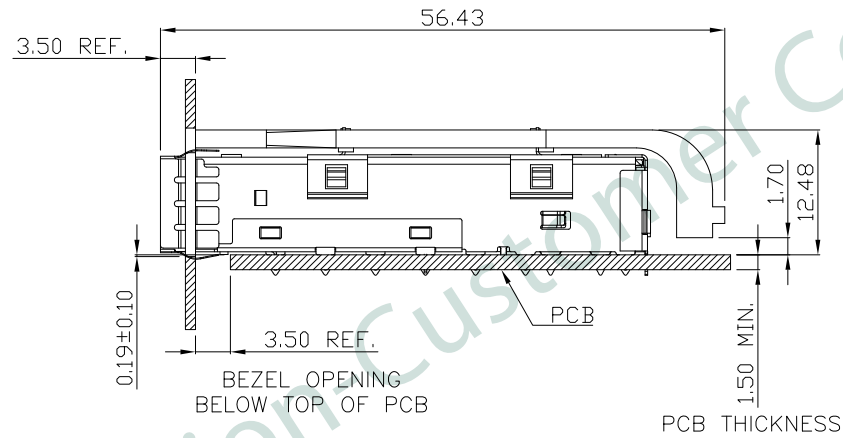
PART NO KSFP-A-PPFA-0412				
TITLE	SFP+ 1X4 CAGE, PRESS FIT TYPE, W/LIGHT PIPE			
REV : 01				
UNIT	DRAWN	CHKD	DATE	SHEET
mm[inch]	CINDY	VINCENT	Jul. 05, '18	1 of 4

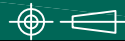


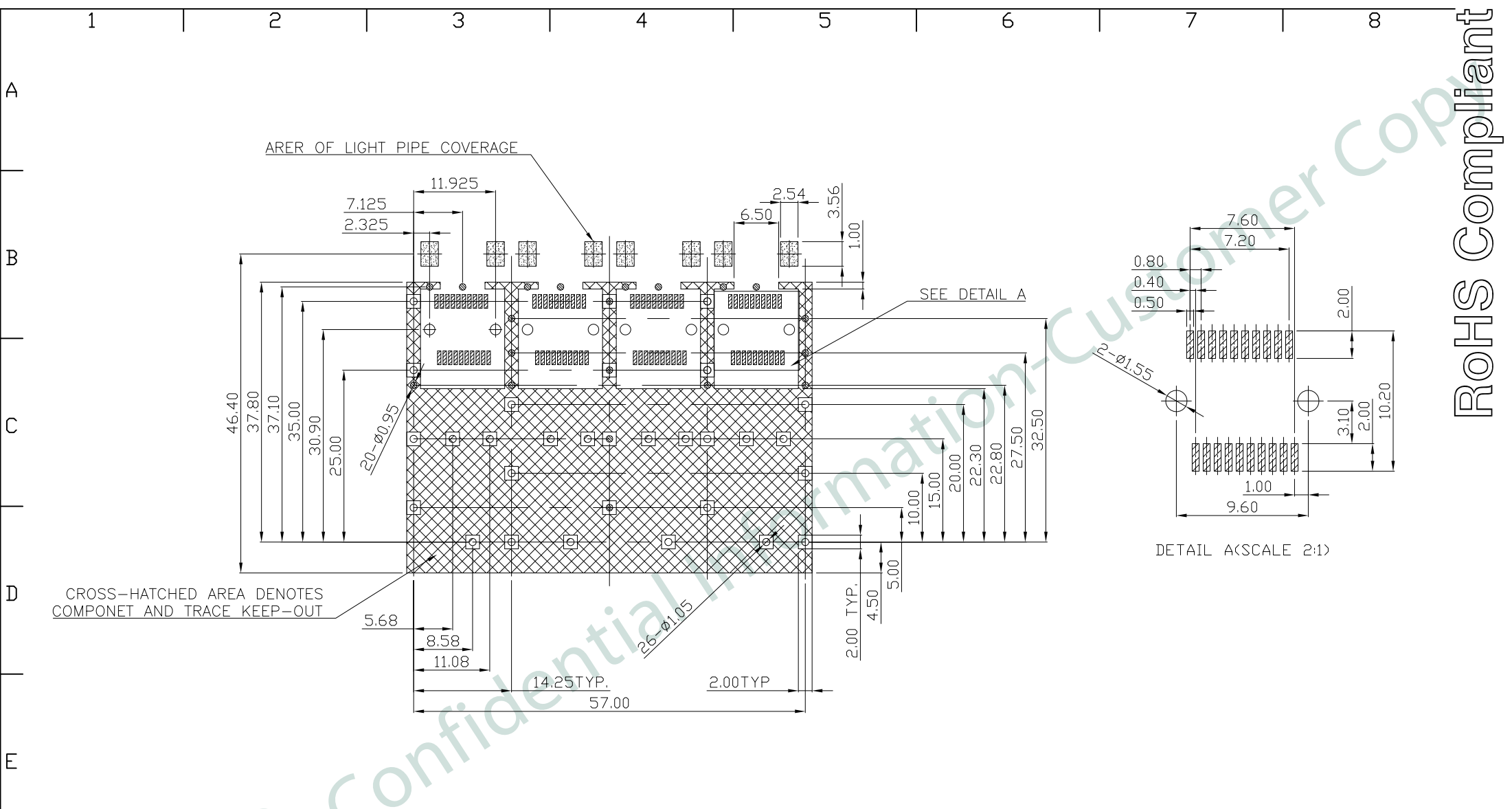
BEZEL
RECOMMENDED PANEL CUTOUT AND PC BOARD
PANEL POSITION AND THICKNESS: 0.8-2.6



BEZEL
RECOMMENDED PANEL CUTOUT AND PC BOARD
PANEL POSITION AND THICKNESS: 0.8-2.6



 PART NO KSFP-A-PPFA-0412				
TITLE	SFP+ 1X4 CAGE, PRESS FIT TYPE, W/LIGHT PIPE			
REV : 01				
UNIT	DRAWN	CHKD	DATE	SHEET
mm[inch]	CINDY	VINCENT	Jul. 05, '18	2 of 4

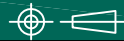


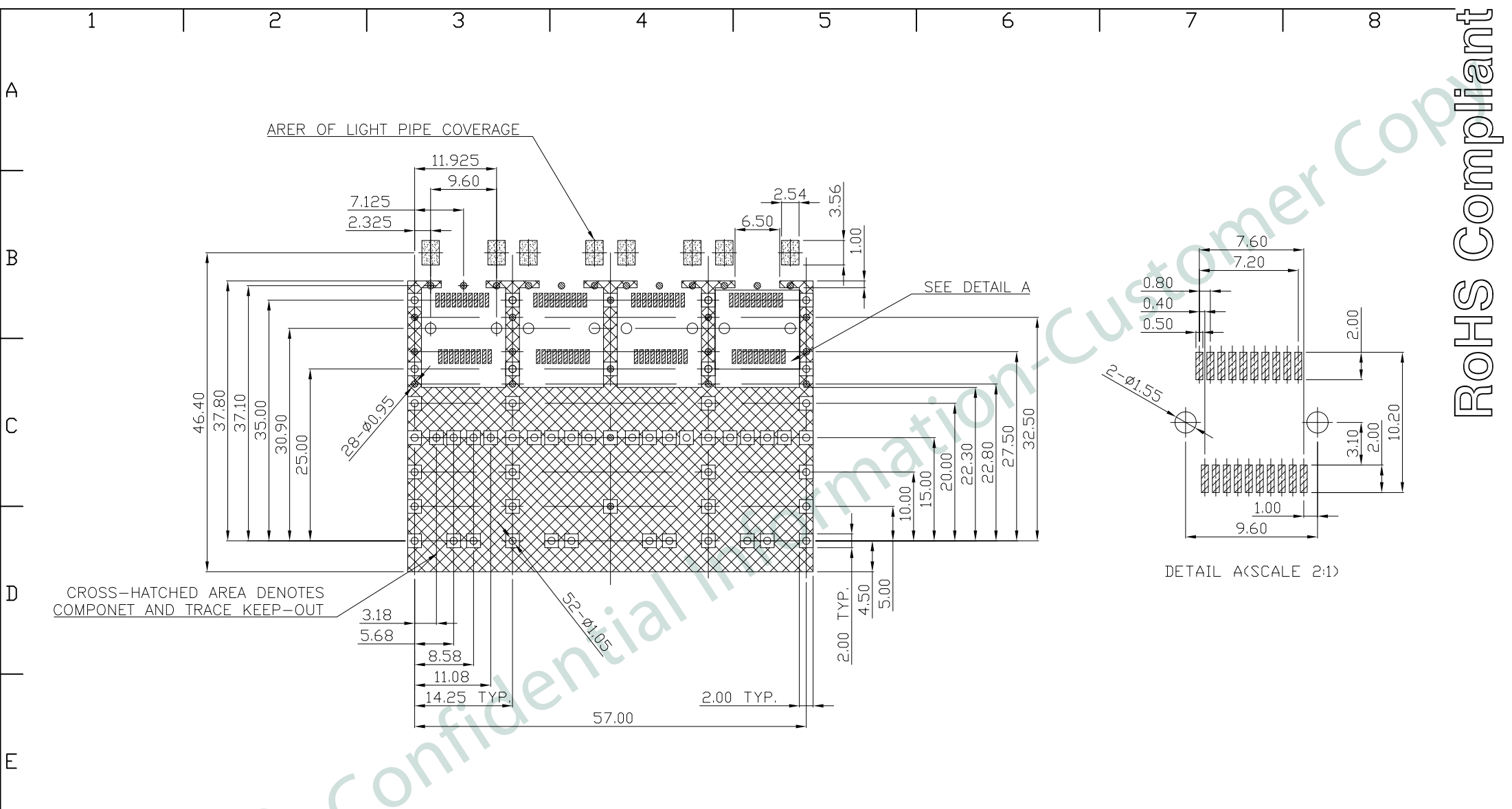
CROSS-HATCHED AREA DENOTES COMPONENT AND TRACE KEEP-OUT

RECOMMENDED PCB LAYOUT (COMPONENT SIDE)

RECOMMENDED MINIMUM PCB THICKNESS: 1.50mm
(ALL TOLERANCES ARE ±0.05)

RECOMMENDED PCB CONFIGURATION WITH KEEP-OUT AREAS SINGLE SIDED APPLICATIONS

 PART NO KSFP-A-PPFA-0412				
TITLE	SFP+ 1X4 CAGE, PRESS FIT TYPE, W/LIGHT PIPE			
REV : 01				
UNIT	DRAWN	CHKD	DATE	SHEET
mm[inch]	CINDY	VINCENT	Jul. 05, '18	3 of 4



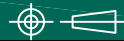
CROSS-HATCHED AREA DENOTES COMPONENT AND TRACE KEEP-OUT

RECOMMENDED PCB LAYOUT (COMPONENT SIDE)

RECOMMENDED MINIMUM PCB THICKNESS: 2.25mm
(ALL TOLERANCES ARE ±0.05)

RECOMMENDED PCB CONFIGURATION WITH KEEP-OUT AREAS BELLY TO BELLY APPLICATIONS

DETAIL A (SCALE 2:1)

 PART NO		KSFP-A-PPFA-0412		
TITLE		SFP+ 1X4 CAGE, PRESS FIT TYPE, W/LIGHT PIPE		
REV : 01				
UNIT	DRAWN	CHKD	DATE	SHEET
mm[inch]	CINDY	VINCENT	Jul. 05, '18	4 of 4