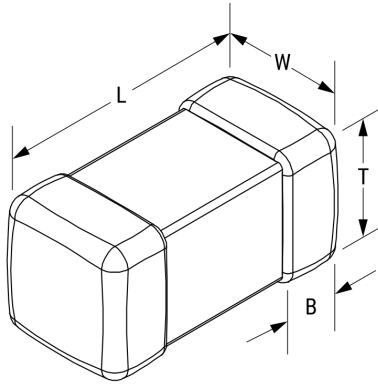


## LO603C1N8SRMST

Aliases (LO603C1N8SRMST)

Obsolete

KEMET, L-RMS, RF, 0.0018 uH, +/-0.3 nH



Click [here](#) for the 3D model.

### Dimensions

Chip Size	0603
L	1.6mm +/-0.15mm
W	0.8mm +/-0.15mm
T	0.8mm +/-0.15mm
LL	0.3mm +/-0.2mm
B	0.3mm +/-0.2mm

### Packaging Specifications

Packaging	T&R
Packaging Quantity	4000

### General Information

Series	L-RMS
Style	SMD Chip
Description	Surface Mount Inductor
RoHS	Yes
Core	Ceramic
Winding Type	Multilayer
Notes	Suggested Replacement - <a href="https://www.chilisin.com/en-global/Inductor/Product/BSCH_160808/BSCH001608081N8S00">https://www.chilisin.com/en-global/Inductor/Product/BSCH_160808/BSCH001608081N8S00</a> .

### Specifications

Inductance	0.0018 uH
Inductance Tolerance	+/-0.3 nH
Temperature Range	-40/+85°C
Current	300 mAmps (MAX)
DC Resistance	0.1 Ohms
Quality Factor	10 at 100 MHz, 24 at 500 MHz, 30 at 800 MHz, 34 at 1000 MHz
Self-Resonant Frequency	6000 MHz