

DO NOT SCALE FROM THIS PRINT

DESIGNED & DIMENSIONED IN MILLIMETERS [INCHES]

MMCX-P-P-X-RA-TH1

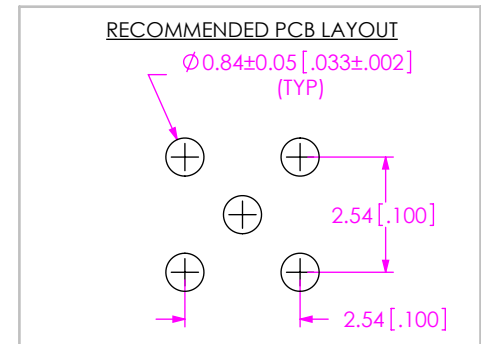
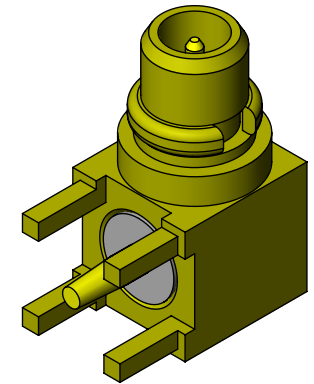
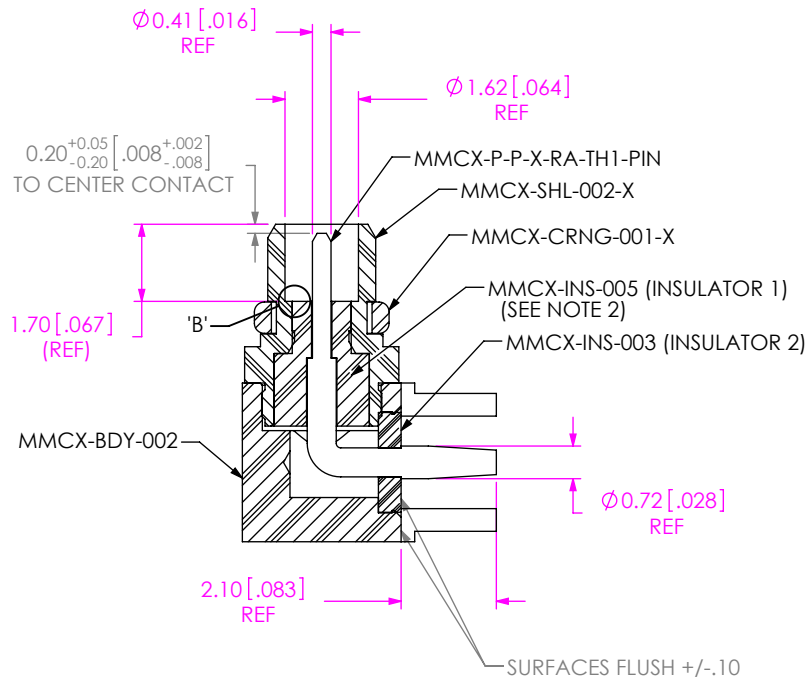
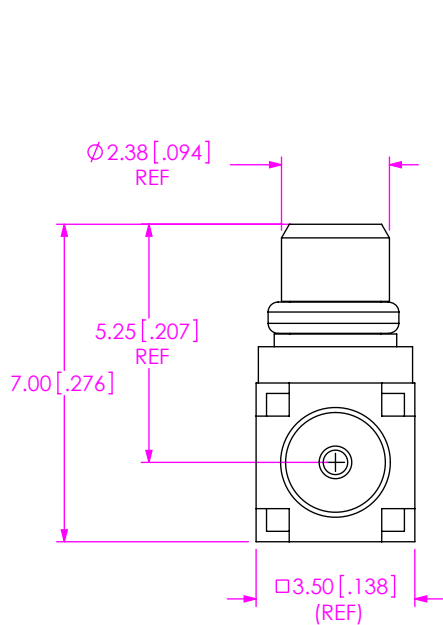
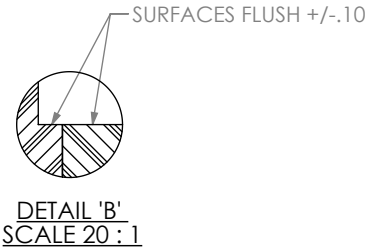
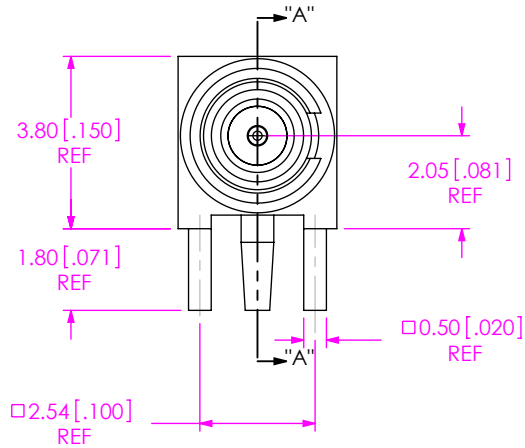
GENDER  
-P: PLUG

TYPE  
-P: PCB

TERMINATION  
-TH1: THROUGH HOLE

ORIENTATION  
-RA: RIGHT ANGLE

PLATING SPECIFICATION  
-H: HEAVY GOLD (SEE TABLE 1)



NOTES:

- ⊙ REPRESENTS A CRITICAL DIMENSION.
- PUSHOUT FORCE FOR INSULATOR #1 ONLY: 22.24 N [5 LB] MIN.
- PUSHOUT FORCE FOR CENTER CONTACT: 11.12 N [2.5 LB] MIN.
- INSERTION AND WITHDRAWAL FORCES PER 2.2.2 OF EN 122340:2002. INSERTION = 18 N [4 LB] MAX. WITHDRAWAL = 6 N [1.3 LB] MIN. / 18 N [4 LB] MAX.
- PARTS TO BE PACKAGED IN TRAYS; IF QUANTITY IS LESS THAN HALF TRAY, PARTS TO BE PACKAGED IN COHESIVE FOAM.
- RoHS COMPLIANT.

TABLE 1: MATERIAL

SAMTEC PART NUMBER	ITEM	MATERIAL	PLATING - (REFERENCE)
MMCX-SHL-002	SHELL	BRASS C3604B	0.00008 [.000003] GOLD OVER .00127 [.000050] NICKEL
MMCX-BDY-002	BODY	BRASS C3604B	0.00008 [.000003] GOLD OVER .00127 [.000050] NICKEL
MMCX-INS-005	INSULATOR	PTFE TEFLON (WHITE)	N/A
MMCX-INS-003	INSULATOR	PTFE TEFLON (WHITE)	N/A
MMCX-J-P-X-RA-TH1-PIN	PIN	BRASS C3602B	0.00076 [.000030] GOLD OVER .00127 [.000050] NICKEL
MMCX-CRNG-001	C-RING	BeCu C17300	0.00008 [.000003] GOLD OVER .00127 [.000050] NICKEL

SECTION "A"- "A"

F:\DWG\MISC\MKTG\MMCX-P-P-X-RA-TH1-MKT.SLDRW

UNLESS OTHERWISE SPECIFIED, DIMENSIONS ARE IN MILLIMETERS [INCHES]. TOLERANCES ARE:  
 DECIMALS ANGLES  
 .X: ±0.3 [.01] 2°  
 .XX: ±0.13 [.005]  
 .XXX: ±0.051 [.0020]

PROPRIETARY NOTE  
 THIS DOCUMENT CONTAINS CONFIDENTIAL AND PROPRIETARY INFORMATION AND ALL DESIGN, MANUFACTURING, REPRODUCTION, USE, PATENT RIGHTS AND SALES RIGHTS ARE EXPRESSLY RESERVED BY SAMTEC, INC. THIS DOCUMENT SHALL NOT BE DISCLOSED, IN WHOLE OR PART, TO ANY UNAUTHORIZED PERSON OR ENTITY NOR REPRODUCED, TRANSFERRED OR INCORPORATED IN ANY OTHER PROJECT IN ANY MANNER WITHOUT THE EXPRESS WRITTEN CONSENT OF SAMTEC, INC.

MATERIAL: DO NOT SCALE DRAWING SHEET SCALE: 6:1  
 SEE TABLE 1



520 PARK EAST BLVD, NEW ALBANY, IN 47150  
 PHONE: 812-944-6733 FAX: 812-948-5047  
 e-Mail: info@SAMTEC.com code: 55322

DESCRIPTION:  
 MMCX RIGHT ANGLE, PLUG- 50 OHM  
 DWG. NO.  
**MMCX-P-P-X-RA-TH1**  
 BY: R MUSSER 12/03/2007 SHEET 1 OF 1