

MODELS:

PDU3VSR3G60, PDU3VSR10G60

3-Phase Switched Rackmount PDU



208V
3-Phase Input



60A Blue IEC
309 3P+E Plug



208V Single-
Phase Output



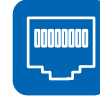
24 Outlets
C19



12.5kW Load
Capacity



Multimode
Load Meter



Network
Interface

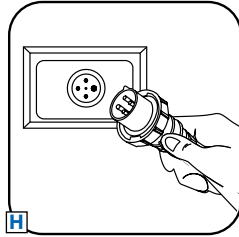


0U
Rackmount



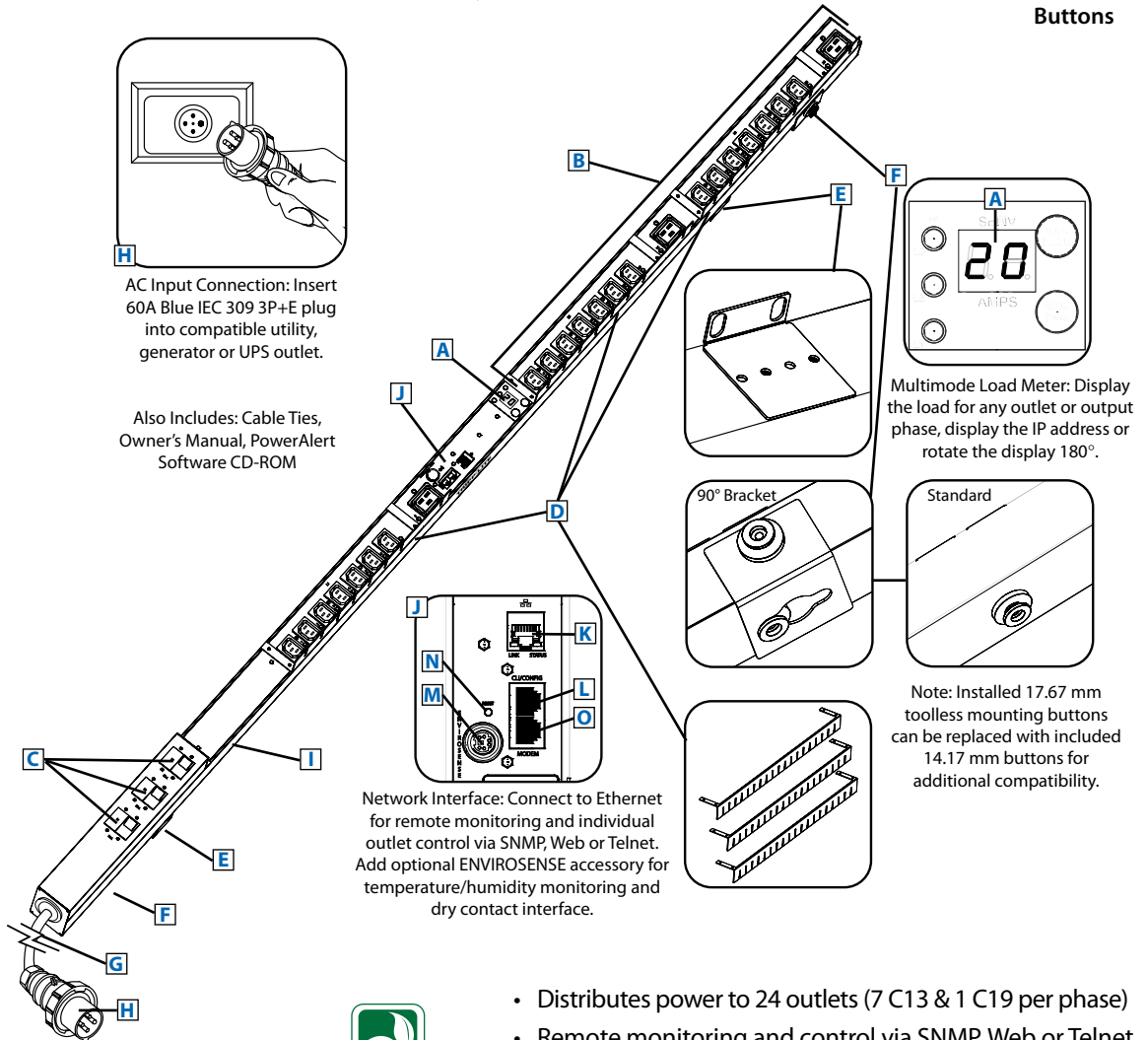
Toolless
Mounting
Buttons

- A** Digital Load Meter
- B** C13 and C19 Outlets with On/Off LEDs
- C** 20A 2-Pole Hydraulic Magnetic Circuit Breakers
- D** Removable Cord Retention Brackets
- E** Removable Mounting Brackets
- F** Toolless Mounting Buttons with Removable 90° Rotation Brackets
- G** PDU3VSR3G60: 3-ft. Input Power Cord
PDU3VSR10G60: 10-ft. Input Power Cord
- H** 60A Blue IEC 309 3P+E Input Plug (IP44)
- I** Durable Metal Case
- J** Network Interface
- K** RJ45 Ethernet Jack
- L** Manual Configuration Port
- M** Environmental Monitoring Port
- N** Network Interface Reset Button
- O** Modem Port (For Future Use)

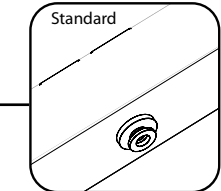
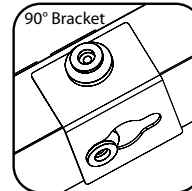
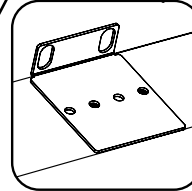


AC Input Connection: Insert 60A Blue IEC 309 3P+E plug into compatible utility, generator or UPS outlet.

Also Includes: Cable Ties, Owner's Manual, PowerAlert Software CD-ROM

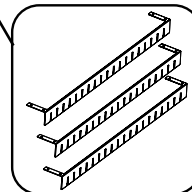


Multimode Load Meter: Display the load for any outlet or output phase, display the IP address or rotate the display 180°.



Note: Installed 17.67 mm toolless mounting buttons can be replaced with included 14.17 mm buttons for additional compatibility.

Network Interface: Connect to Ethernet for remote monitoring and individual outlet control via SNMP, Web or Telnet. Add optional ENVIROSENSE accessory for temperature/humidity monitoring and dry contact interface.



Specifications

Models	PDU3VSR3G60, PDU3VSR10G60
Voltage	208V (3-Phase Input/Single-Phase Output)
Frequency	50/60Hz
Load Capacity	12.5kW
Input Plug	60A Blue IEC 309 3P+E (IP44 Protection Rating – Splash-Proof)
Input Cord Length	PDU3VSR3G60: 3 ft., PDU3VSR10G60: 10 ft.
Outlets	24 (21 C13 / 3 C19)
Primary Mounting Option	0U (Vertical) Rackmount
Unit Weight & Dimensions	PDU3VSR3G60: 14.6 lbs / 70 x 2.20 x 3.58 in., PDU3VSR10G60: 18.9 lbs / 70 x 2.20 x 3.58 in. See next page for detailed unit measurements.
Certifications	Tested to UL 60950-1 (US & Canada), NOM (Mexico), FCC Class A, IP44 Protection Rating (Plug)

Tripp Lite has a policy of continuous improvement. Specifications are subject to change without notice.

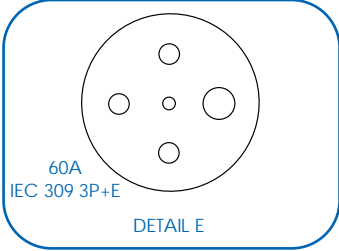
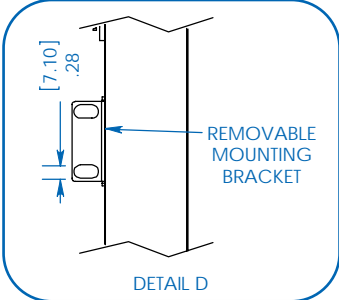
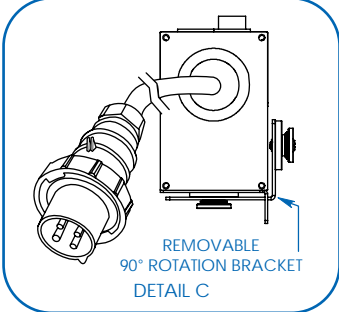
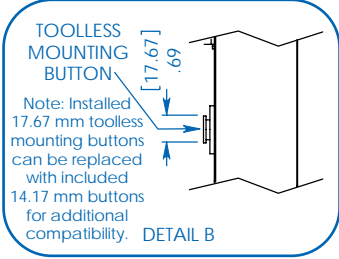
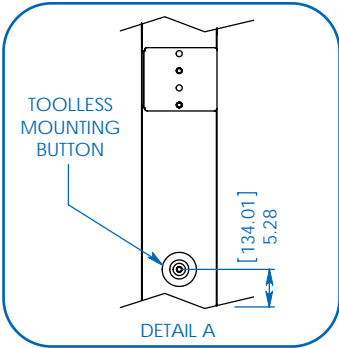
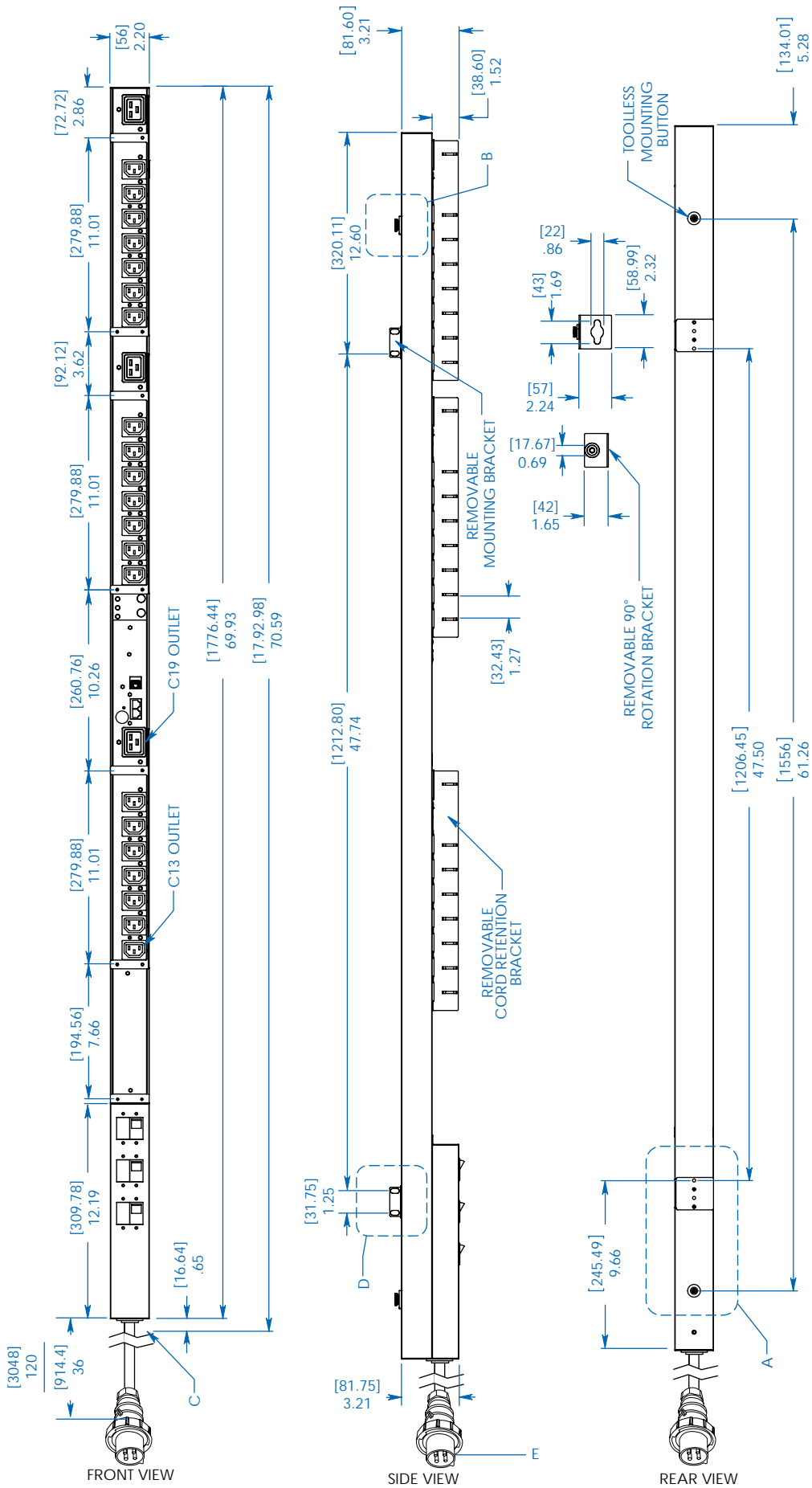


- Distributes power to 24 outlets (7 C13 & 1 C19 per phase)
- Remote monitoring and control via SNMP, Web or Telnet
- Displays load for *any outlet or output phase* in real time
- Perfect for rackmount server, network and telecom applications

SEE NEXT PAGE FOR DETAILED UNIT MEASUREMENTS



1111 W. 35th Street
Chicago, IL 60609 USA
773.869.1234
www.tripplite.com



Dimensions: [mm] INCHES

Tripp Lite has a policy of continuous improvement. Specifications are subject to change without notice.

MODELS:
PDU3VSR3G60,
PDU3VSR10G60



1111 W. 35th Street
Chicago, IL 60609 USA
773.869.1234

www.tripplite.com