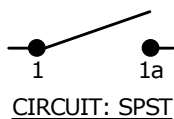


RECOMMENDED PANEL MOUNTING

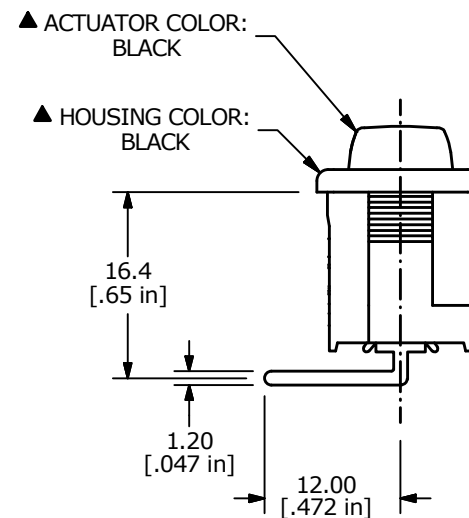
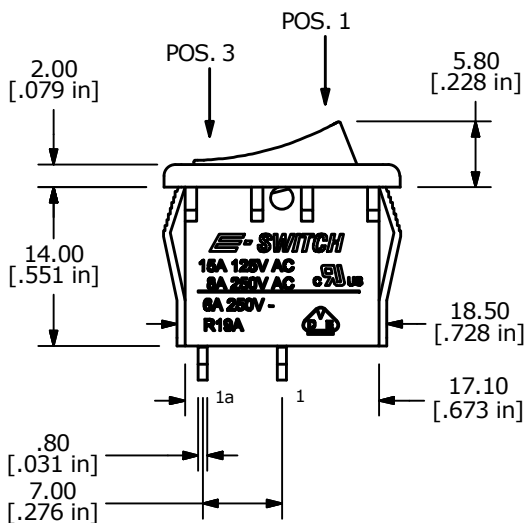
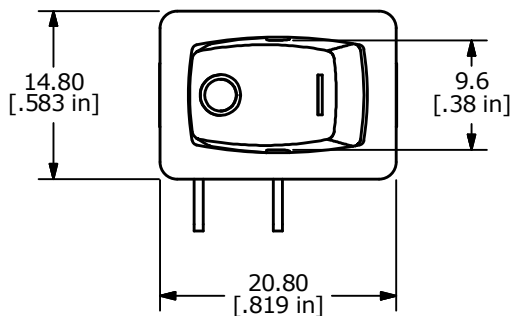
PANEL THICKNESS	X
0.75-1.25	19.20-19.30
1.25-2.00	19.30-19.40
2.00-3.00	19.50-19.60

SWITCH FUNCTION		
POS. 1	POS. 2	POS. 3
ON	NONE	OFF
1a-1	N/A	OPEN



CIRCUIT: SPST

- NOTES:
- ALL DIMENSIONS IN MM [INCH]
 - GENERAL TOLERANCE: X.X=±0.4
X.XX=±0.25
 - TERM. NOS. FOR REF. ONLY
 - RATING: 15A @125VAC [cURus]
8A @250VAC [cURus]
6A @250VAC [VDE]
 - LAMP VOLTAGE: NO LAMP
 - MATERIAL:
CONTACT SURFACE: SILVER ALLOY
TERMINAL: COPPER ALLOY w/SILVER PLATE
 - ELECTRICAL LIFE: 10,000 CYCLES
 - CONTACT RESISTANCE: <20 MILLI-OHMS INITIAL
 - DIELECTRIC STRENGTH: >1,500V AC 1 MIN
 - ▲ DENOTES CRITICAL PARAMETER.
 - 2011/65/EU (ROHS) COMPLIANT.



REV	PCR NO	DESCRIPTION	DATE	BY
E	23216	UPDATED RATINGS AND DIM. TO 16.4	2/12/18	MJR
D	23057	UPDATED LAYOUT AND DIMENSIONS	10/23/17	MJR

TITLE R1966ABLKBLKGR				
SCALE 3:2	DATE 7/6/2001	DR GLG	DWG M301223	REV E