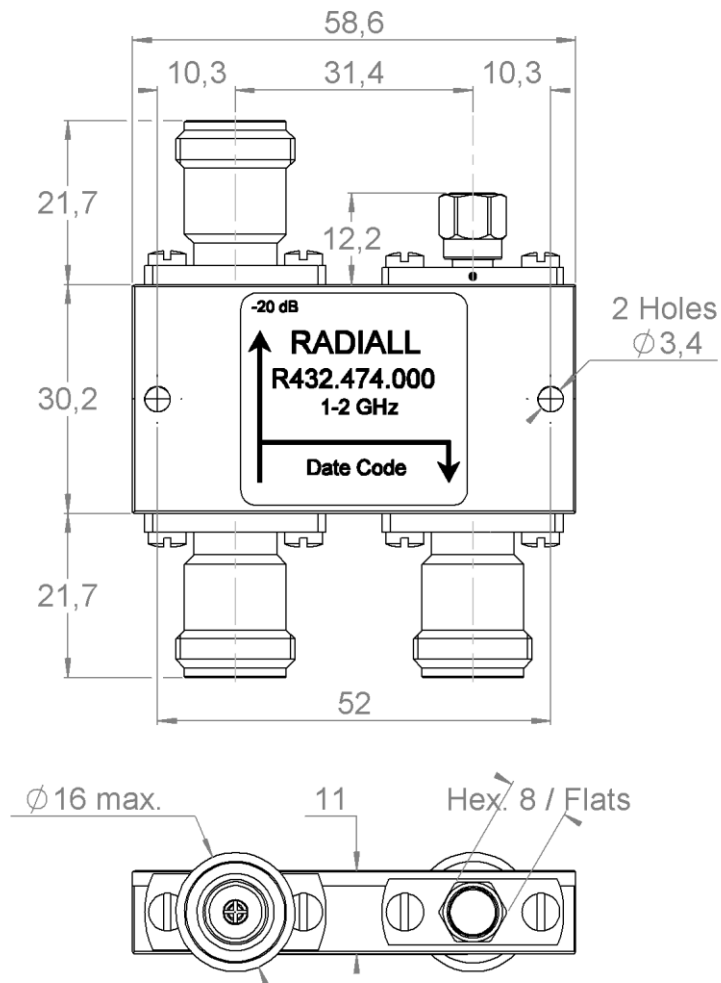


PAGE 1/2	ISSUE 04-12-19J	SERIES COUPLER	PART NUMBER R432474000
----------	------------------------	--------------------------	-------------------------------

Scale 1 : 1



All dimensions are in mm. Tolerances according ISO 2768 m-H

Weight **113,2500** g
Specification



ELECTRICAL CHARACTERISTICS

Frequency operating range :	1 – 2 GHz
Impedance :	50 Ω
VSWR : - Main Line	1.15 max.
- Coupled Line	1.15 max.
Nominal Coupling :	20 dB
Coupling Precision :	± 0.3 dB
Insertion Loss :	0.4 dB max.
Directivity :	23 dB mini
Frequency Sensitivity :	± 0.8 dB
Average Power at 25°C	200W
Peak Power at 25°C	5000W

MECHANICAL CHARACTERISTICS

Connector type :	N female per MIL-C 39012
Coaxial Termination :	SMA 50 Ω , 1W

ENVIRONMENTAL CHARACTERISTICS

Operating temperature :	-25°C / +70°C
Storage temperature :	-25°C / +70°C