

2008

RELEASED FOR PUBLICATION

ALL RIGHTS RESERVED.

THIS DRAWING IS UNPUBLISHED.

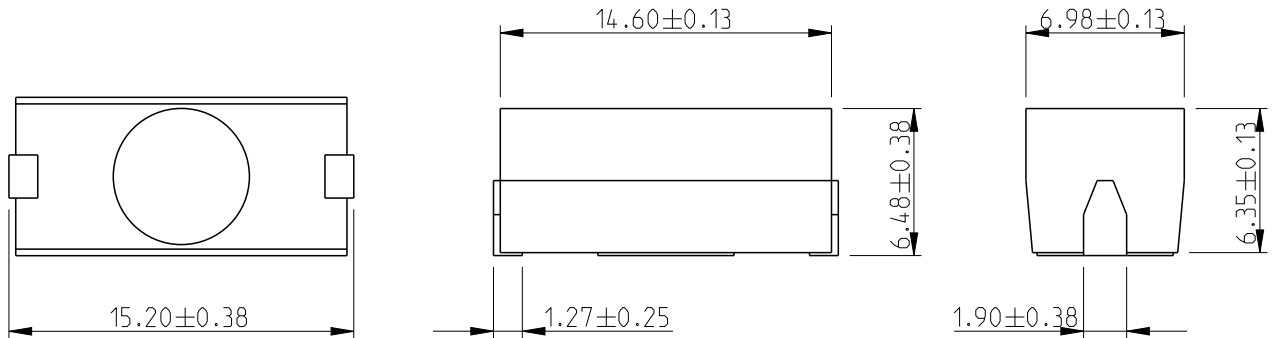
BY -

© COPYRIGHT 2008

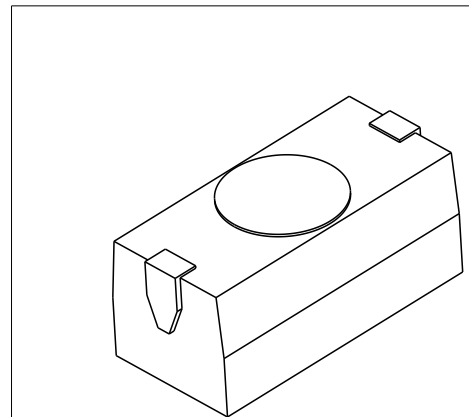
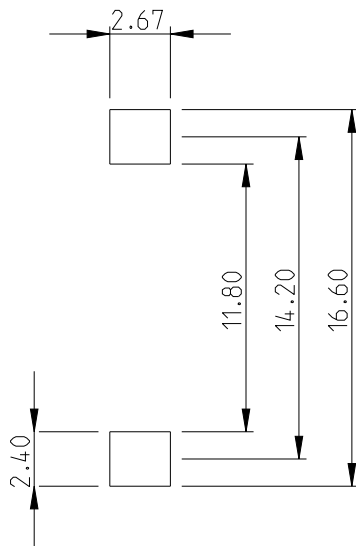
REVISIONS


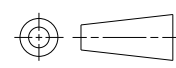
P	LTR	DESCRIPTION	DATE	DWN	APVD
	BA	NEW RELEASE	10JULY2010	PT	St.P
	BA1	ECR-13-019093	07DEC2013	KR	TN

FOR FURTHER INFORMATION SEE DATA SHEET FOR SERIES S - SMD MOULDED POWER RESISTOR



RECOMMENDED LAND PATTERN



DIMENSIONS: mm		DWN PARUSURAM.T 10JULY2010	MATERIAL -	FINISH -	
TOLERANCES UNLESS OTHERWISE SPECIFIED:		CHK ALLAN.P 10JULY2010	 TE Connectivity		
0 PLC $\pm 0.2$ 1 PLC $\pm 0.1$ 2 PLC $\pm$ 3 PLC $\pm$ 4 PLC $\pm$ ANGLES $\pm 5^\circ$		APVD STEPHEN.P 10JULY2010			
		PRODUCT SPEC -	NAME SMD PRECISION CURRENT SENSE SENSE RESISTOR SERIES SL3		
		APPLICATION SPEC -	SIZE A4	CAGE CODE 00779	DRAWING NO C-1624269
		WEIGHT -	RESTRICTED TO -		
		Customer Drawing	SCALE 3:1	SHEET 1 OF 1	REV BA1