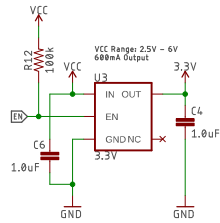


Power: AP2112

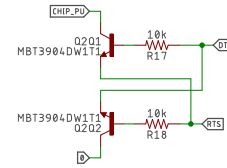


Auto-Reset

Boot Mode Configuration

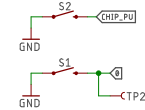
Pin	Default	Boot	Download
GPIO0	1	1	0
U0TXD	1	1	x
GPIO2	0	x	0
GPIO4	0	x	x
MTDO	1	1	x
GPIO5	1	1	x

If U0TXD, GPIO2, GPIO5 are floating, GPIO0 determines boot mode.

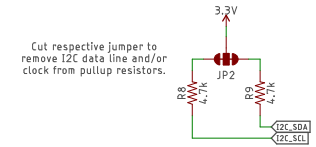


If DTR is LOW, toggling RTS from HIGH to LOW resets to run mode.
If RTS is HIGH, toggling DTR from LOW to HIGH resets to bootloader.

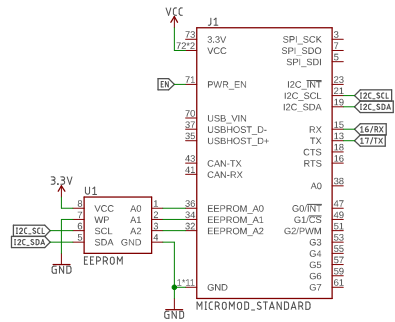
GPIO0 Button



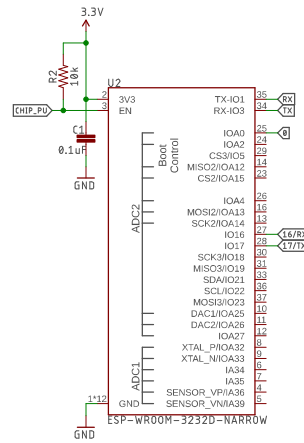
Jumpers



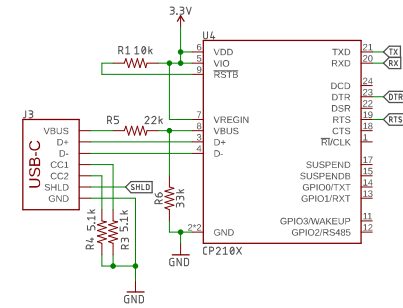
M.2 Connector Edge



ESP32 WROOM



USB-C: Firmware Upload



Special Instructions

Released under the Creative Commons Attribution Share-Alike 4.0 License
<https://creativecommons.org/licenses/by-sa/4.0/>

TITLE: ESP32-Function

Design by: Elias Santistevan

REV:
v10

Date: 10/8/2021 3:33 AM

Sheet: 1/1