

IF HEADER IS RECESSED INTO A POCKET, THESE DIMENSIONS REPRESENT THE MINIMUM CLEARANCE REQUIRED FOR THE MATING CONNECTOR SHROUD.

NOTE  
THIS DRAWING OR PORTIONS OF IT, ARE CONTROLLED BY THE ELECTRICAL WIRING COMPONENTS APPLICATION PARTNERSHIP (EWCAP), A SUBGROUP OF THE UNITED STATES CONSORTIUM FOR AUTOMOTIVE RESEARCH (USCAR). USCAR IS A PARTNERSHIP BETWEEN CHRYSLER GROUP LLC, FORD MOTOR COMPANY, AND GENERAL MOTORS CORPORATION. ANY CHANGE TO A EWCAP CONTROLLED PORTION OF THIS DRAWING, INCLUDING A "RECORD CHANGE" MUST BE APPROVED, IN WRITING, BY THE RESPONSIBLE EWCAP MEMBER FROM EACH USCAR COMPANY. EACH EWCAP MEMBER AUTHORIZED TO SIGN FOR HIS OR HER COMPANY IS RESPONSIBLE FOR OBTAINING ALL NECESSARY APPROVALS WITHIN THAT COMPANY PRIOR TO SIGNING FOR APPROVAL OF THE CHANGE. EWCAP EXPRESSLY PROHIBITS ANY PARTY FROM CHANGING EITHER ANY EWCAP CONTROLLED PORTION OF THIS DRAWING OR ANY ASSOCIATED TOOLING BEFORE RECEIVING AN APPROVAL SIGNED BY AN AUTHORIZED REPRESENTATIVE FROM EACH EWCAP PARTNER. REFERENCE TO THE SIGNED APPROVAL FORM MUST BE ENTERED IN THIS DRAWING'S CONTROL COLUMN.

NOTES: UNLESS OTHERWISE SPECIFIED

1. ALL DIMENSIONS SHOWN IN MILLIMETERS.
2. DIMENSIONING AND TOLERANCING PER ASME Y14.5M-1994
3. 0.25 RADI ON ALL CORNERS SHOWN SHARP.
4. UNSPECIFIED RADI: 0.25 EXCEPT AS NOTED.
5. STANDARD COLORS FOR POLARIZATION (SEE CHART). DEVIATION REQUIRES APPROVAL OF AUTHORIZED PERSON.
6. REFER TO "SAE/USCAR '12 CONNECTOR GUIDELINES" FOR ADDITIONAL REQUIREMENTS.
7. EXCEPT WHERE NOTED, DRAFT ON OUTSIDE SURFACES IS PERMISSIBLE WITHIN TOLERANCE.
8. SYMBOL INDICATES DRAFT DIRECTION.
9. FOR TERMINAL MATERIAL, DIMENSIONAL, AND COATING REQUIREMENTS AND ANY BLADE TERMINAL DESIGN INFORMATION NOT SHOWN ON THIS DRAWING SEE EWCAP DWG. NO. EWCAP-001
10. A FULL SHROUD ON THE MATING CONNECTOR IS REQUIRED TO INSURE THAT THE CONNECTOR-HEADER POLARIZATION FEATURES (OPTIONS A THRU D) WILL FUNCTION. THE FULL SHROUD ALSO PREVENTS "SCOOP" DAMAGE TO THE HEADER PINS. REFER TO "SAE/USCAR-12 CONNECTOR DESIGN GUIDE LINES" FOR ADDITIONAL INFORMATION.
11. REFER TO USCAR/EWCAP PART LIST AS FOUND ON WEBSITE <http://www.uscarteams.org>
12. THIS IS A 100% CAD GENERATED PART. THE CAD MATHEMATICAL DATA IS THE MASTER FOR THIS PART. FOR DIMENSIONAL OR ANY INFORMATION NOT SHOWN ON THIS DRAWING, ANALYZE THE CAD MODEL.

REV	DATE	BY	CHK	DESCRIPTION
094	F2			CORRECTED CHRYSLER GROUP LLC NOMENCLATURE
094	F1			MOVED NOTE TO SECTION B-B AND CORRECTED AND RELOCATED TRUE POSITION DATUM REFERENCE
091	E			REMOVED 10.8 BY DP D12 D15 D18 D22 D24 D25 D27 AND D28
090	D31			ADDED NOTES
090	D30			RELOCATED SEALING SURFACE NOTE
090	D29			ADDED DETAIL E
090	D28			ADDED 0.25° MAX DRAFT ANGLE ALL AROUND
090	D27			ADDED [55]
090	D26			ADDED AT TANGENT NOTE
090	D25			ADDED FROM [B-]
090	D24			ADDED [35]
090	D23			REMOVED DATUM C
090	D22			ADDED EXCLUDES KEYS AND NUB NOTE
090	D21			ADDED BASIC DIMENSIONS FOR PROFILE CONTROL
090	D20			ADDED [D.20(A)]
090	D19			DIMENSIONED TO DATUM A
090	D18			ADDED DATUM A REFERENCE
090	D17			SEALING SURFACE DIMENSIONS MOVED TO SECTION C-C
090	D16			ADDED SECTION C-C
090	D15			ADDED DETAIL D
090	D14			REMOVED 10.20 FROM SECTION A
090	D13			ADDED DRAFT ANGLE DIRECTION
090	D12			ADDED DATUM G
090	D11			RELOCATED BASIC DIMENSION FOR DATUM D
090	D10			REMOVED 8.80 ±0.10±0.20 ALL AROUND
090	D9			MOVED PIN DIMENSIONS TO DETAIL D AND DETAIL E
090	D8			RELOCATED WALL THICKNESS CONTROL WITH PROFILE OF A SURFACE
090	D7			ADDED DATUM B REFERENCE
090	D6			ADDED R16.47
090	D5			ADDED 0.70 ±0.15 ALL AROUND
090	D4			CHANGED FROM 1.79 TO 1.8
090	D3			ADDED BACK ANGLE NOTE
090	D2			UPDATED CONNECTOR COLORS
090	D1			ADDED G04T FOR POLARIZATION KEYS
				05-10-11 KC MV
				CHANGED ISO VIEW SCALE TO 4:1 WAS 1:1
				CORRECTED PACKAGING FRAME VIEW, WAS JUPPER ORIAL
				KEY OPTIONS A THRU D DIMENSIONED TO C/L OF KEY, WAS DIMENSIONED TO EDGE
				01-15-09 DG SV
				B15 FROM DATUM [A] ADDED DIM. 12.90
				B14 FROM DATUM [A] ADDED DIM. 2X 9.30 ±0.10±0.25
				B13 ADDED PARTING LINE NOTE TO DETAIL A, RELOCATED NOTE BACK ANGLE OPTIONAL FROM 37°
				B12 30 & 45° ROUNDED
				B11 KEY OPTIONS A THRU D DIMENSIONED TO EDGE WAS DIMENSIONED TO C/L OF KEY
				B10 40 & 1 1/2° ROUNDED REMOVED FROM VIEW DETAIL C
				B9 [D.12(B)] WAS 4X R19.2
				B8 [D.12(B)] AND [D.12(B)] WAS 2X R12.99 AND 2X R6.10
				B7 REMOVED 60 AT FOR TIP AND BASE
				B6 DATUM [E] AT DIM 10.33 WAS AT DIM. 12.83
				B5 SURFACE D LOCATED AT [55]
				B4 DATUM [B] AT DIM 12.83 WAS AT 10.20 SECTION A-A
				B3 EWCAP CHART 150-S-002-1-Z05 WAS 150-S-002-1-T80
				B2 DWG# 150-S-002-1-Z05 WAS 150-S-002-1-T80
				B1 RELOCATED NOTE AT 37° WAS PERMISSIBLE 0.25° MAXIMUM. RENUMBERED NOTES
				01-10-08 DG SV
				A RELEASED
				11-13-07 JH MV
				LET REVISION RECORD DATE DWN CHK
TOLERANCES UNLESS OTHERWISE SPECIFIED				
DIMENSIONS ARE IN				
X ±0.2 ANGLES ±3° XX ±0.10				
SCALE 5 - 1 DRAWN BY K. CUNNINGHAM CHECKED BY R.VANSLAMBROUCK DATE 02-08-2012				
TITLE DIRECT CONNECT INTERFACE 2 WAY (1 X 2) 15MM SEALED MALE				
REV	DATE	BY	CHK	REVISION LEVEL
1 of 1				F

EWCAP P/N	OPTION	MATING CONNECTOR
150-S-002-1-005	D	BLACK
150-S-002-1-005	C	DK GRAY
150-S-002-1-805	B	LT GRAY
150-S-002-1-A05	A	BLACK

DETAIL C SCALE 20:1 APPLIES 2X SEE KEYING OPTIONS VIEWS FOR POSITIONS

CONSTRUCTION BELOW THIS SURFACE IS NOT CONTROLLED BY EWCAP. NO PLASTIC FEATURES MAY EXTEND ABOVE THIS SURFACE



TABLE OF CONTENTS	
SHEET NO.	SHEET DESCRIPTION
1	NOTES AND BOM
2	CONFIGURATIONS
3-4	KEY CONFIGURATIONS
5	RECEPTACLE CONNECTOR ASSEMBLY
6	BACKSHELL NOTES
7	BACKSHELL
8	BACKSHELL CONFIGURATIONS

NOTES: VALID UNLESS OTHERWISE SPECIFIED

1. GENERAL:
- a. APPLICATION SPECIFICATION SEE: AS-33472-100
- CONTAINS: PRODUCT INTRODUCTION, PRODUCT SUMMARY, CONNECTOR ASSEMBLY, PACKAGING INFORMATION, CONNECTOR MATING, SERVICE INSTRUCTIONS, ELECTRICAL CONTINUITY CHECKING, CRIMPING, AND TROUBLESHOOTING.
  - DESIGNED TO MATE WITH DEVICE OR CONNECTOR AS SPECIFIED IN THE MATING INTERFACE/CONNECTOR DRAWINGS CHART.
  - \*DENOTES DRAWINGS THAT CAN BE ACCESSED AT <<http://ewcap.uscarteams.org/>>.
  - ASSEMBLY SHIPPED WITH PLR IN PRE-LOCK POSITION (SEE PLR PRE-LOCK VIEW SHEET 5).

- b. PRODUCT SPECIFICATION SEE:
- STANDARD CONFIGURATION: PS-33471-000
  - UL V0 CONFIGURATION: PS-160105-0001
  - CONTAINS: PRODUCT INTRODUCTION, PRODUCT SUMMARY, RATINGS (CURRENT, TEMPERATURE, SEALING, AND FLAMMABILITY), TERMINALS, WIRE DIAMETER RANGE, PRODUCT VALIDATION, AND PRODUCT DEVIATIONS.

c. PACKAGING SPECIFICATION PER MOLEX DRAWING: SEE PACKAGING CHART

d. PARTS MUST BE IN COMPLIANCE TO MOLEX CHEMICAL SUBSTANCES FOR PRODUCTS AND PACKAGING SPECIFICATION: QEHS-699000-301

e. DATA MUST BE SUBMITTED UNDER THE MOLEX PART NUMBER TO IMDS (COMPANY ID#13255)

2. DESIGN - MATERIALS:

- a. FOR BILL OF MATERIALS SEE:
- STANDARD CONFIGURATION SD-33471-0002
  - UL V0 CONFIGURATION SD-160105-0002

3. DESIGN - GEOMETRY:

a. THE 3-D CAD DATA IS BASIC (WITHOUT TOLERANCE) AND MASTER FOR THIS PART WITH THE EXCEPTION OF UNDERLINED DIMENSIONS. DIMENSIONAL INFORMATION NOT SHOWN ON THIS DRAWING IS DEFINED BY THE DATA FILE AT ITS LATEST REVISION.

b. GEOMETRIC DIMENSIONS AND TOLERANCES PER ASME Y14.5M-2009

c. EDGES AND UNDIMENSIONED DETAILS PER ISO13715

d. CORNERS SHOWN AS SHARP TO BE R 0.2 MAX.

e. LETTERING SHALL BE 0.15 MAX RAISED IN 0.25 MAX RECESS PAD. THIS INCLUDES RECYCLING CODE, CAVITY ID, VENDOR IDENTIFICATION, AND CUSTOMER MATERIAL NUMBER.

f. VISUAL DEFECTS SHALL MEET COSMETIC STANDARD PS-45499-002 (Class B).

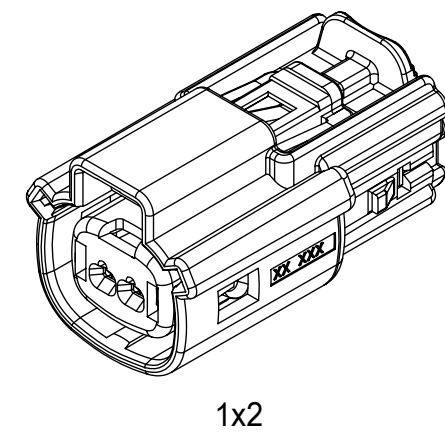
g. LASER MARKING:

- PART NUMBER
- DAY OF THE YEAR
- SHIFT
- YEAR

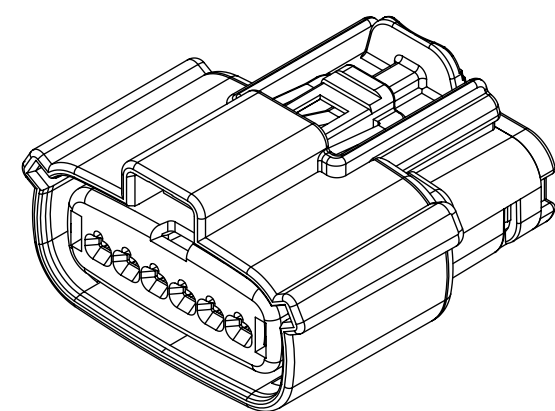
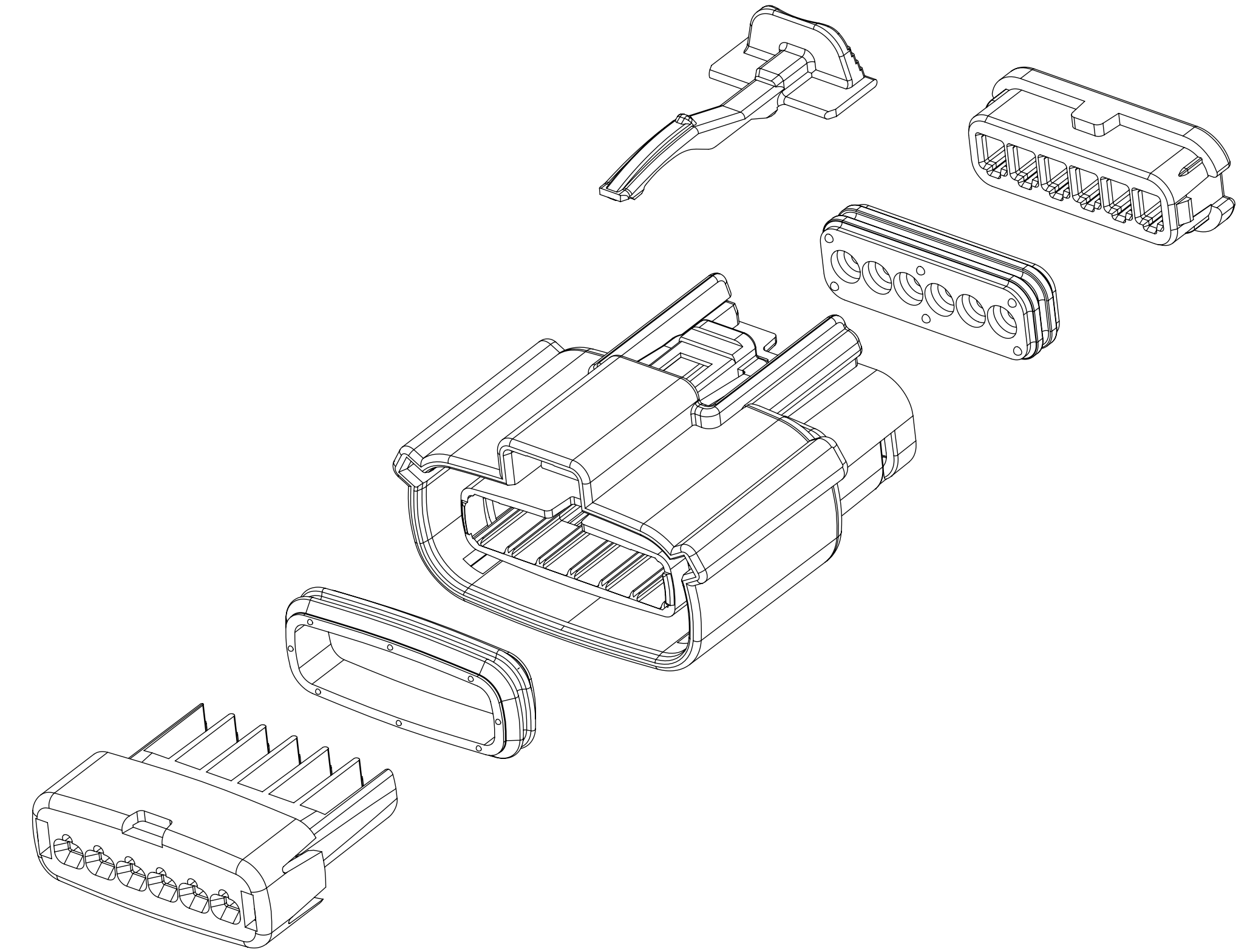
FOR ADDITIONAL INFORMATION SEE SECTION 5 UNDER PROCEDURES IN ES-34735-008.

PACKAGING	
DESCRIPTION	DRAWING NO.
1X2	PK-31300-635
1X6	PK-31300-903

MATING INTERFACE/CONNECTOR DRAWINGS		
DESCRIPTION	INTERFACE DEFINITION	MOLEX INLINE
1X2	*150-S-002-1-Z05	SD-33481-0001
1X6	*150-S-006-1-Z03	SD-33481-0001



1x2



1x6

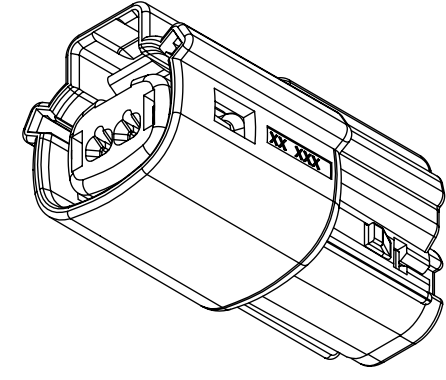
REV	REV DESCRIPTION
A1	UPDATED THE DRAWING FRAME
A	MINOR GEOMETRY CHANGE FOR UL V0
2	UPDATE VIEWSETS
1	INITIAL RELEASE

INSPECTION NUMBER LOG	
LAST NUMBER: 11	ADDED: 11
REMOVED:	

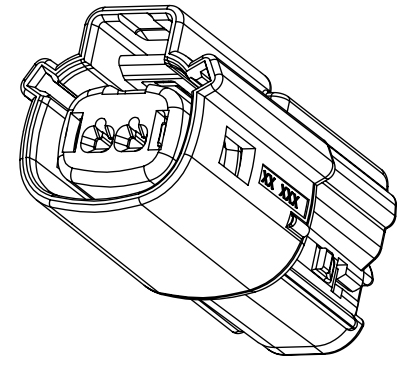
FUNCTIONAL SYMBOLS	THIS DRAWING CONTAINS INFORMATION THAT IS PROPRIETARY TO MOLEX ELECTRONIC TECHNOLOGIES, LLC AND SHOULD NOT BE USED WITHOUT WRITTEN PERMISSION		CURRENT REV DESC:		
	$\nabla_A = 0$ $\nabla_C = 0$ $\nabla_P = 0$	DIMENSION UNITS: <b>mm</b> SCALE: <b>1.5:1</b>	EC NO: 643941 DRWN: XLDONG03 2020/08/21 CHK'D: JDENG02 2020/08/26 APPR: JDENG02 2020/08/26		
DIVISIONAL SYMBOLS	GENERAL TOLERANCES (UNLESS SPECIFIED) ANGULAR TOL $\pm 1.0^\circ$	4 PLACES $\pm$ 3 PLACES $\pm$ 2 PLACES $\pm 0.1$ 1 PLACE $\pm 0.2$ 0 PLACES $\pm$	INITIAL REVISION: DRWN: APROFFITT 2015/11/04 APPR: KDEKOSHI 2016/06/14	DOCUMENT NUMBER: <b>SD-33471-0001</b> DOC TYPE: PSD DOC PART: 001 REVISION: <b>A1</b>	
DRAFT WHERE APPLICABLE MUST REMAIN WITHIN DIMENSIONS		THIRD ANGLE PROJECTION	DRAWING: <b>D-SIZE</b>	SERIES: <b>33471</b>	MATERIAL NUMBER: SEE NOTE 2a CUSTOMER: GENERAL MARKET SHEET NUMBER: 1 OF 8

# SHEET DESCRIPTION

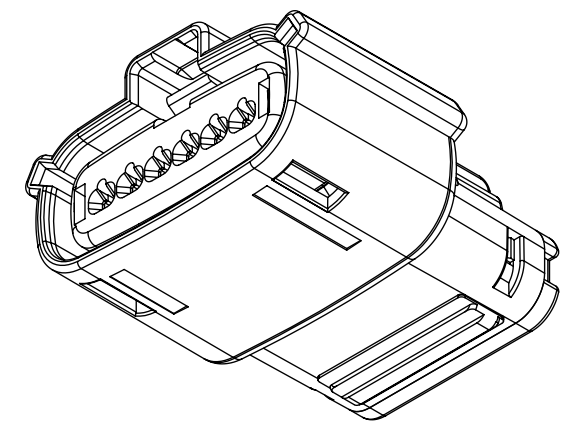
## CONFIGURATIONS



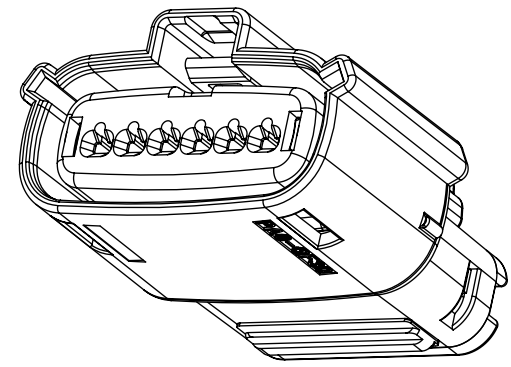
1x2 - STD



1x2 - UL V0\*



1x6 - STD



1x6 - UL V0\*

\*MINOR GEOMETRY DIFFERENCE THAN STANDARD CONFIGURATION  
SEE NOTES 1 & 2 FOR MORE INFORMATION

FUNCTIONAL SYMBOLS	THIS DRAWING CONTAINS INFORMATION THAT IS PROPRIETARY TO MOLEX ELECTRONIC TECHNOLOGIES, LLC AND SHOULD NOT BE USED WITHOUT WRITTEN PERMISSION		
	DIMENSION UNITS	SCALE	CURRENT REV DESC:
$\nabla_A = 0$	mm	1.5:1	EC NO: 643941 DRWN: XLDONG03 2020/08/21 CHK'D: JDENG02 2020/08/26 APPR: JDENG02 2020/08/26 INITIAL REVISION: DRWN: APROFFITT 2015/11/04 APPR: KDEKOSKI 2016/06/14
$\nabla_C = 0$	GENERAL TOLERANCES (UNLESS SPECIFIED)		
$\nabla_D = 0$	ANGULAR TOL $\pm 1.0^\circ$		
DIVISIONAL SYMBOLS	4 PLACES	$\pm$	
	3 PLACES	$\pm$	
	2 PLACES	$\pm 0.1$	
	1 PLACE	$\pm 0.2$	
	0 PLACES	$\pm$	
DRAFT WHERE APPLICABLE MUST REMAIN WITHIN DIMENSIONS		THIRD ANGLE PROJECTION	DRAWING: D-SIZE SERIES: 33471
DOCUMENT STATUS	P1	RELEASE DATE	DOCUMENT NUMBER: SD-33471-0001 DOC TYPE: PSD DOC PART: 001 REVISION: A1
		2020/08/26 07:23:52	MATERIAL NUMBER: SEE NOTE 2a CUSTOMER: GENERAL MARKET SHEET NUMBER: 2 OF 8

# molex

MX150 RCPT  
SINGLE ROW SEALED ASSY MAT SEAL

PRODUCT CUSTOMER DRAWING

SD-33471-0001

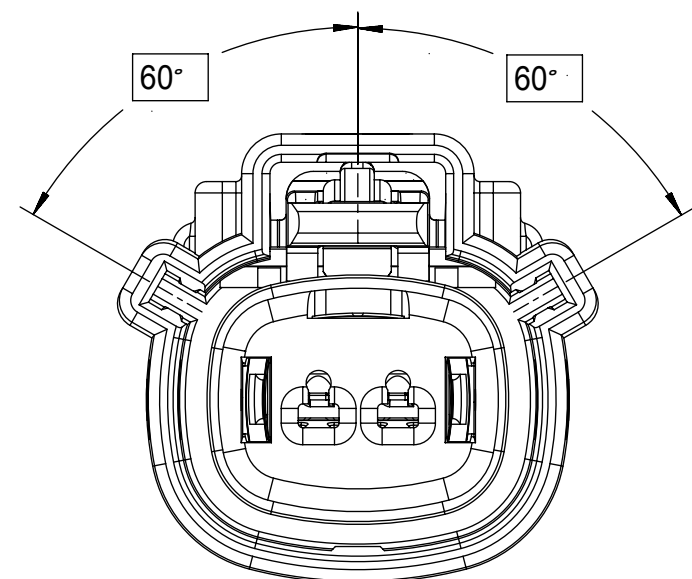
PSD 001 A1

SEE NOTE 2a GENERAL MARKET 2 OF 8

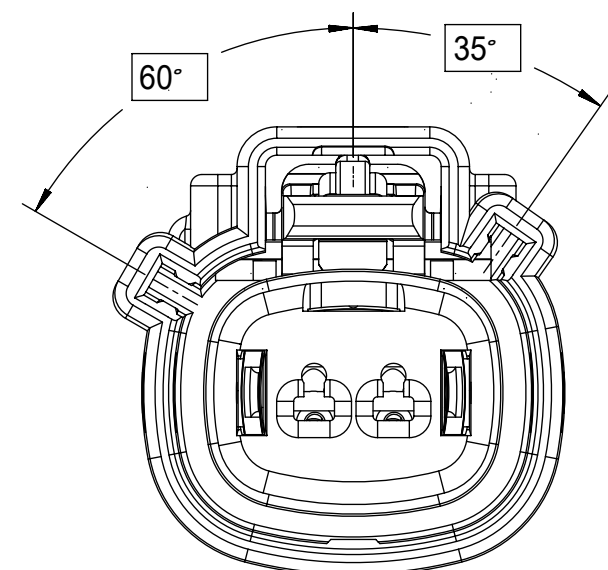
**SHEET DESCRIPTION**

KEY CONFIGURATIONS

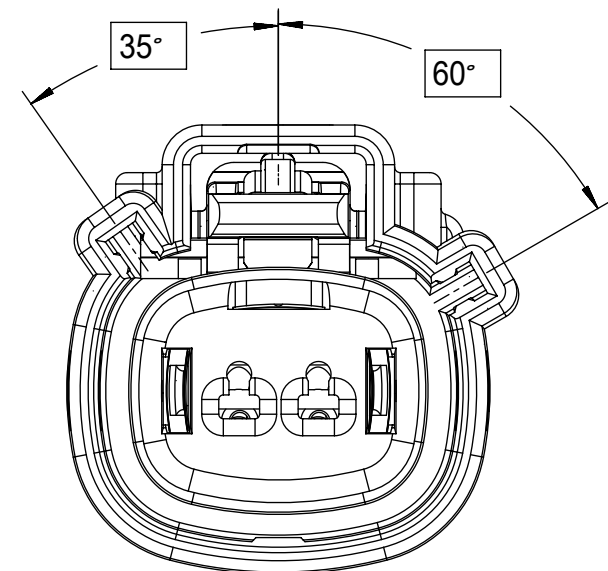
1X2



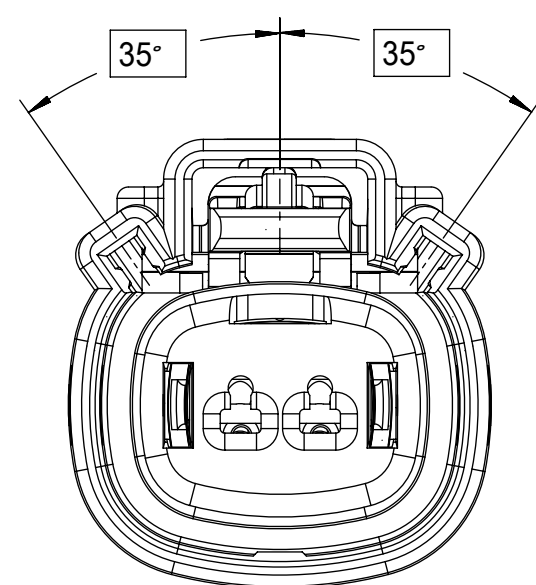
KEY A



KEY B



KEY C



KEY D

FUNCTIONAL SYMBOLS	THIS DRAWING CONTAINS INFORMATION THAT IS PROPRIETARY TO MOLEX ELECTRONIC TECHNOLOGIES, LLC AND SHOULD NOT BE USED WITHOUT WRITTEN PERMISSION		
	DIMENSION UNITS	SCALE	CURRENT REV DESC:
$\nabla_A = 0$	mm	3:1	
$\nabla_C = 0$	GENERAL TOLERANCES (UNLESS SPECIFIED)		
$\nabla_P = 0$	ANGULAR TOL $\pm 1.0^\circ$		
DIVISIONAL SYMBOLS	4 PLACES	$\pm$	EC NO: 643941
	3 PLACES	$\pm$	DRWN: XLDONG03 2020/08/21
	2 PLACES	$\pm 0.1$	CHK'D: JDENG02 2020/08/26
	1 PLACE	$\pm 0.2$	APPR: JDENG02 2020/08/26
	0 PLACES	$\pm$	INITIAL REVISION: DRWN: APROFFITT 2015/11/04 APPR: KDEKOSKI 2016/06/14
DRAFT WHERE APPLICABLE MUST REMAIN WITHIN DIMENSIONS	THIRD ANGLE PROJECTION	DRAWING	SERIES
		D-SIZE	33471
DOCUMENT STATUS		RELEASE DATE	DOCUMENT NUMBER
P1	2020/08/26 07:23:52	SD-33471-0001	DOC TYPE
		PSD	DOC PART
		001	REVISION
		A1	
MATERIAL NUMBER		CUSTOMER	SHEET NUMBER
SEE NOTE 2a		GENERAL MARKET	3 OF 8

**molex**

MX150 RCPT  
SINGLE ROW SEALED ASSY MAT SEAL

PRODUCT CUSTOMER DRAWING

DOCUMENT NUMBER DOC TYPE DOC PART REVISION

SD-33471-0001 PSD 001 A1

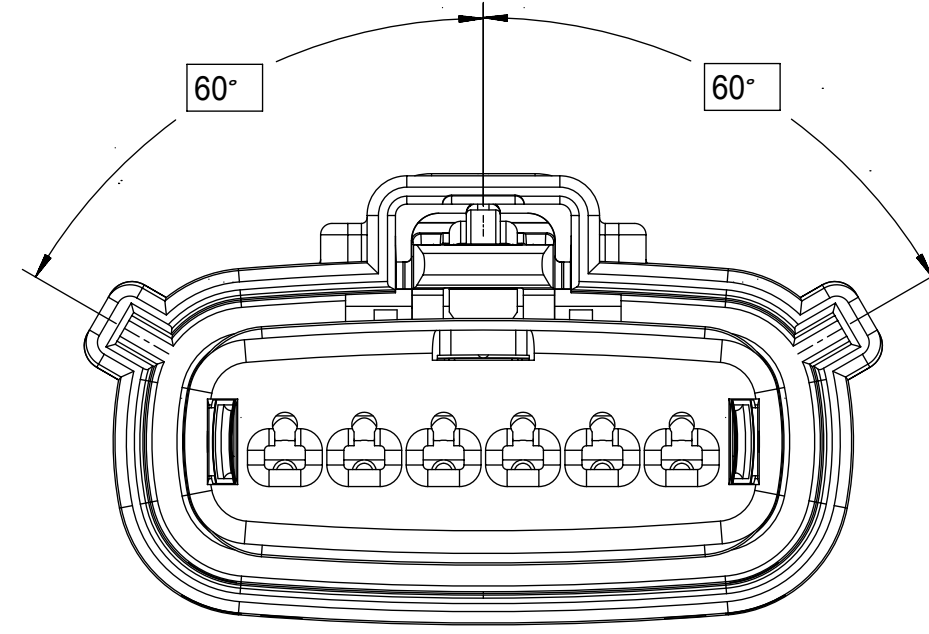
MATERIAL NUMBER CUSTOMER SHEET NUMBER

SEE NOTE 2a GENERAL MARKET 3 OF 8

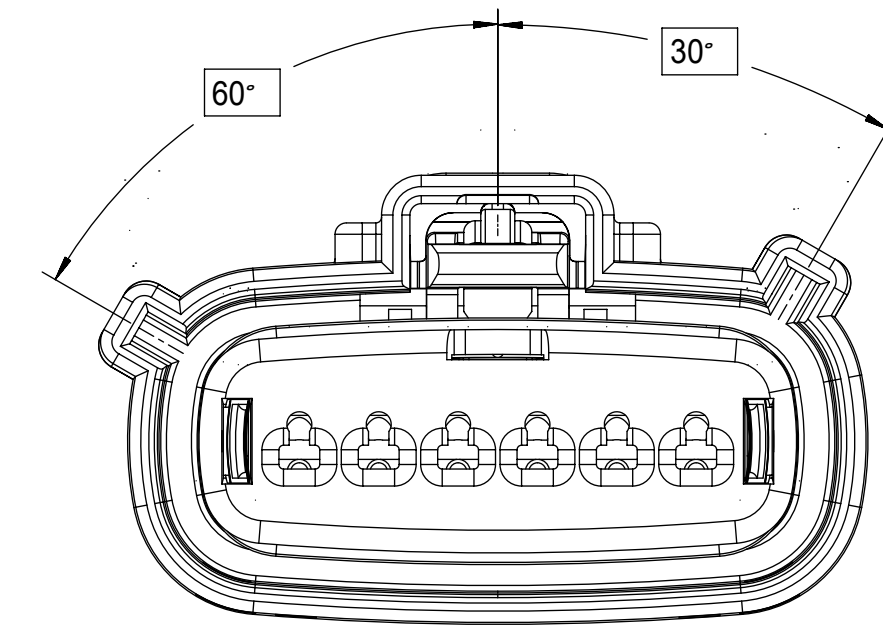
**SHEET DESCRIPTION**

KEY CONFIGURATIONS CONT.

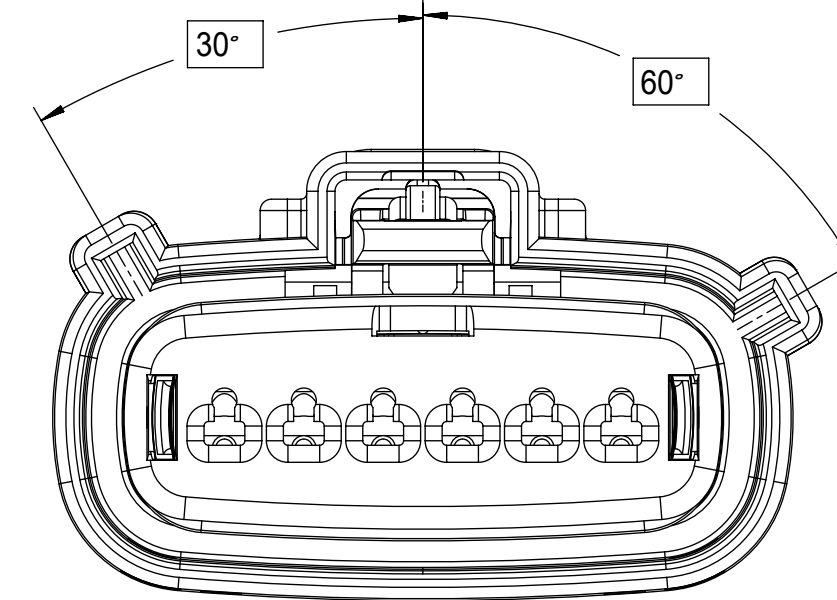
**1X6**



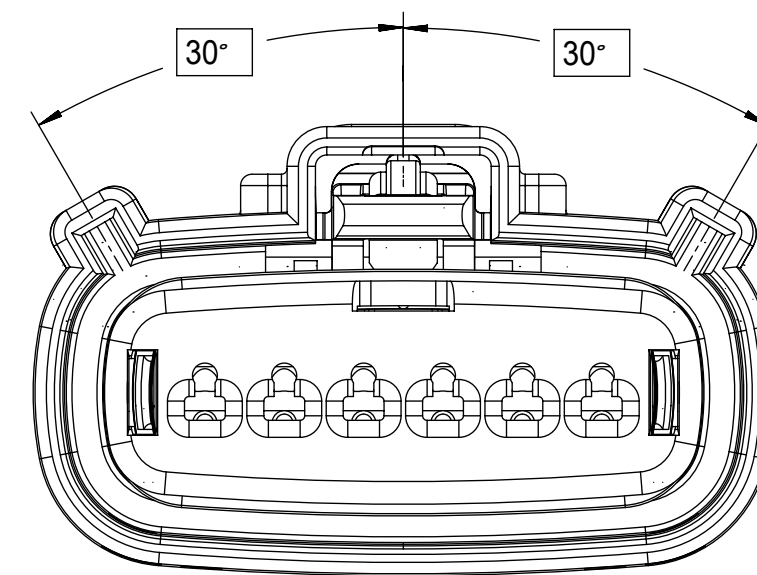
KEY A



KEY B



KEY C



KEY D

FUNCTIONAL SYMBOLS	THIS DRAWING CONTAINS INFORMATION THAT IS PROPRIETARY TO MOLEX ELECTRONIC TECHNOLOGIES, LLC AND SHOULD NOT BE USED WITHOUT WRITTEN PERMISSION		
	DIMENSION UNITS	SCALE	CURRENT REV DESC:
$\nabla_A = 0$	mm	3:1	
$\nabla_C = 0$	GENERAL TOLERANCES (UNLESS SPECIFIED)		
$\nabla_D = 0$	ANGULAR TOL $\pm 1.0^\circ$		
DIVISIONAL SYMBOLS	4 PLACES	$\pm$	EC NO: 643941
	3 PLACES	$\pm$	DRWN: XLDONG03 2020/08/21
	2 PLACES	$\pm 0.1$	CHK'D: JDENG02 2020/08/26
	1 PLACE	$\pm 0.2$	APPR: JDENG02 2020/08/26
	0 PLACES	$\pm$	INITIAL REVISION: DRWN: APROFFITT 2015/11/04 APPR: KDEKOSKI 2016/06/14
DRAFT WHERE APPLICABLE MUST REMAIN WITHIN DIMENSIONS		THIRD ANGLE PROJECTION	DRAWING SERIES MATERIAL NUMBER CUSTOMER SHEET NUMBER
			D-SIZE 33471 SEE NOTE 2a GENERAL MARKET 4 OF 8

**molex**

MX150 RCPT  
SINGLE ROW SEALED ASSY MAT SEAL

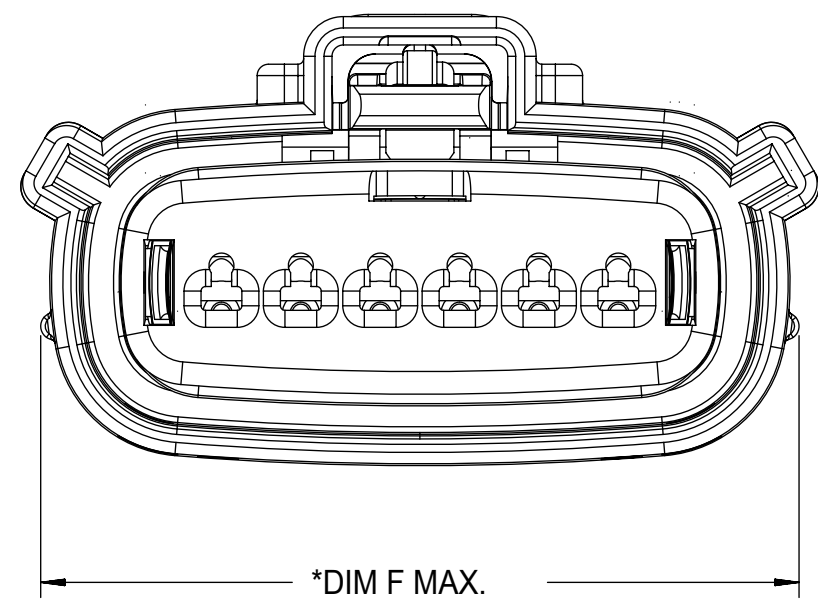
PRODUCT CUSTOMER DRAWING

DOCUMENT NUMBER	DOC TYPE	DOC PART	REVISION
SD-33471-0001	PSD	001	A1

# SHEET DESCRIPTION

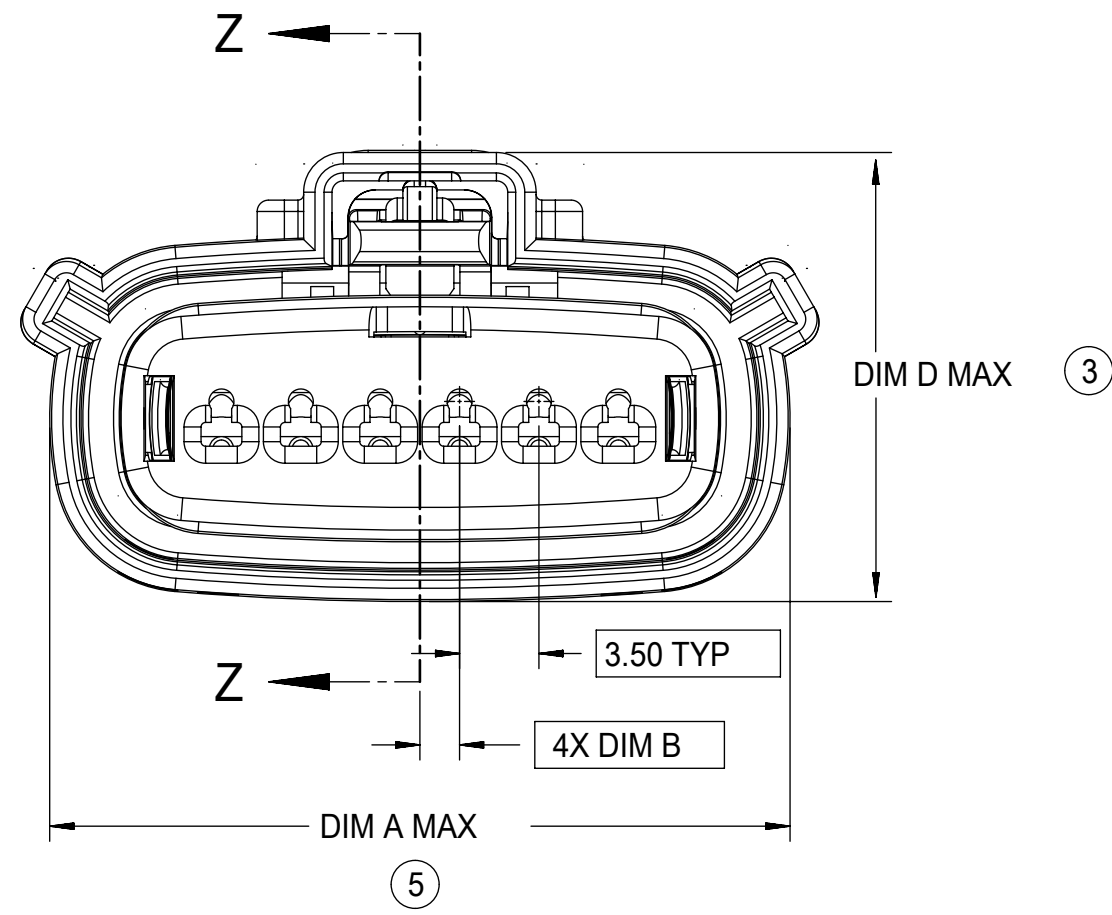
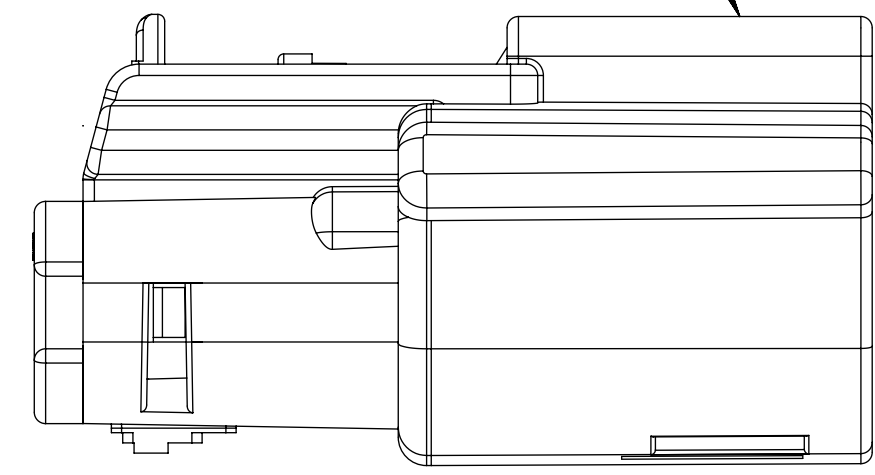
RECEPTACLE CONNECTOR ASSEMBLY - STD

DESCRIPTION	DIMENSIONS					
	A	B	C	D	E	F
1X2	19.40	1.75	21.73	20.55	37.65	19.64
1X6	32.75	1.75	35.21	19.90	37.65	N/A
1X6 UL V0	N/A	1.75	35.23	19.90	37.65	33.64



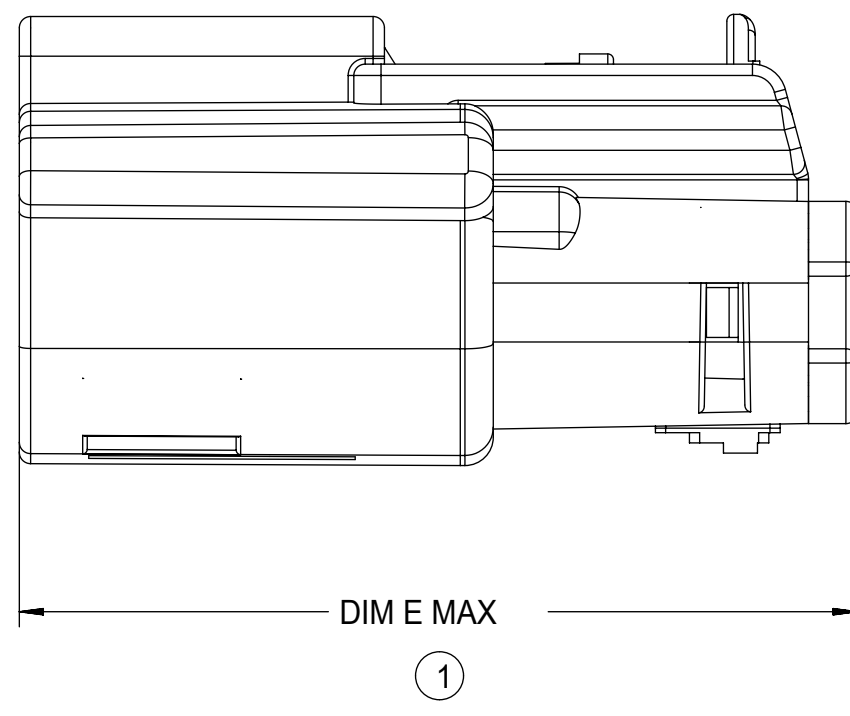
\*DIM F MAX.  
\*APPLIE TO UL V0 CONFIGURATIONS ONLY  
①

LASER MARKING ON THIS SURFACE  
SEE NOTE 3g.



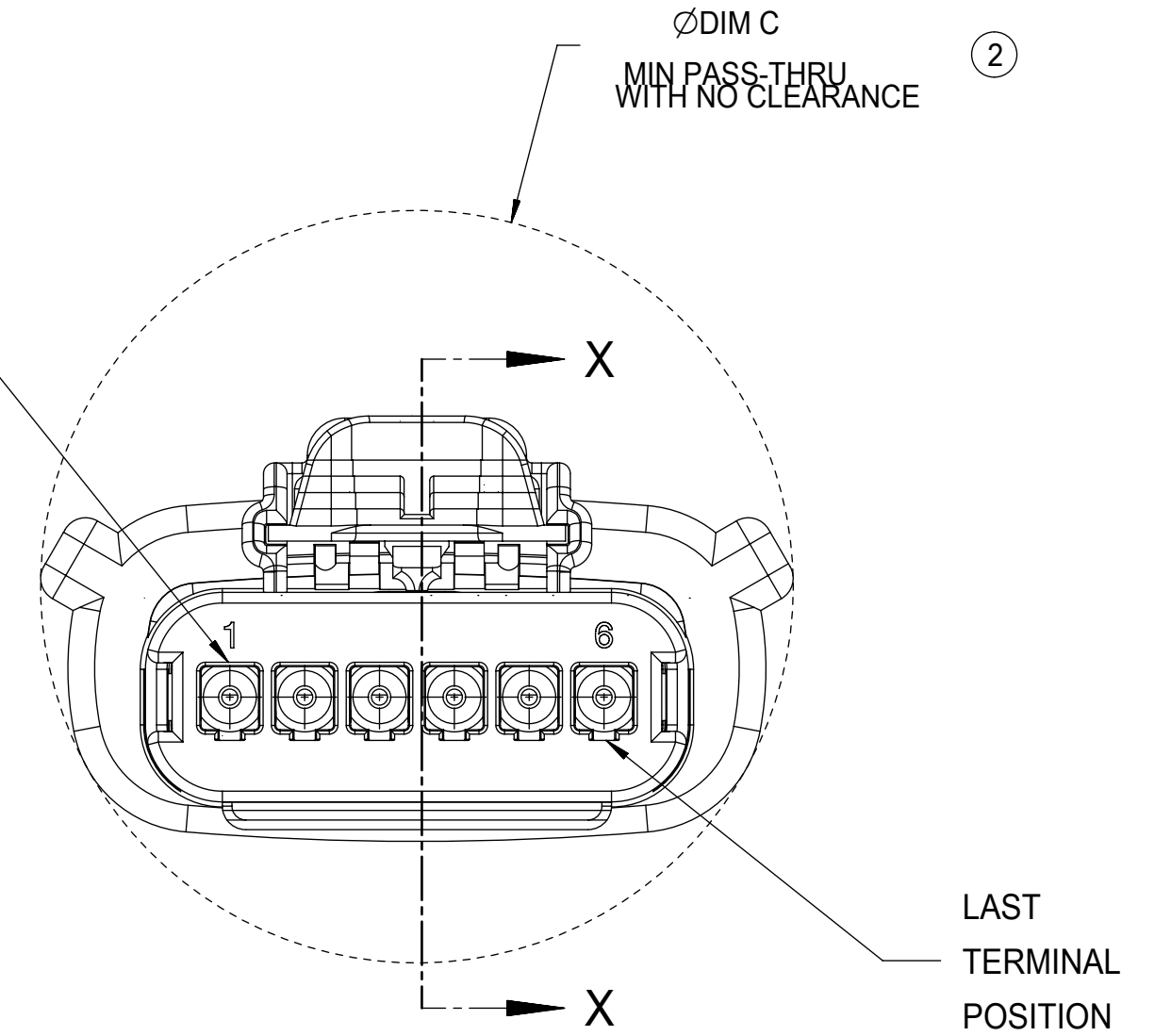
DIM D MAX ③

DIM A MAX ⑤



DIM E MAX ①

TERMINAL POSITION 1

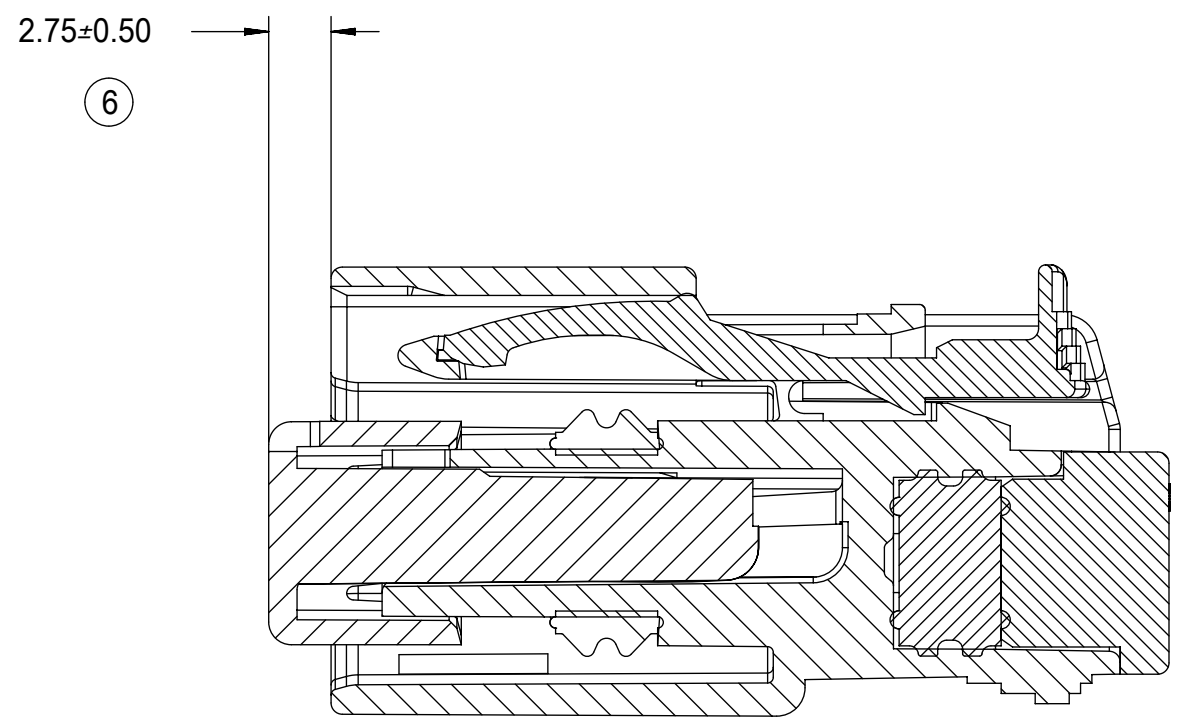
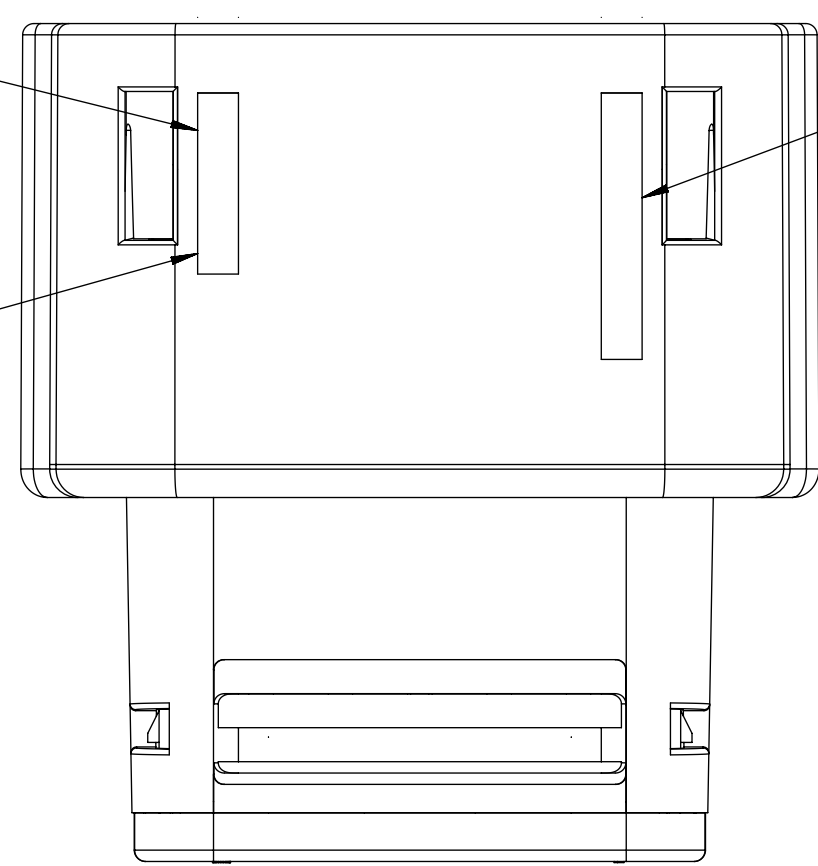


REAR VIEW  
(WIRE HARNESS SIDE)

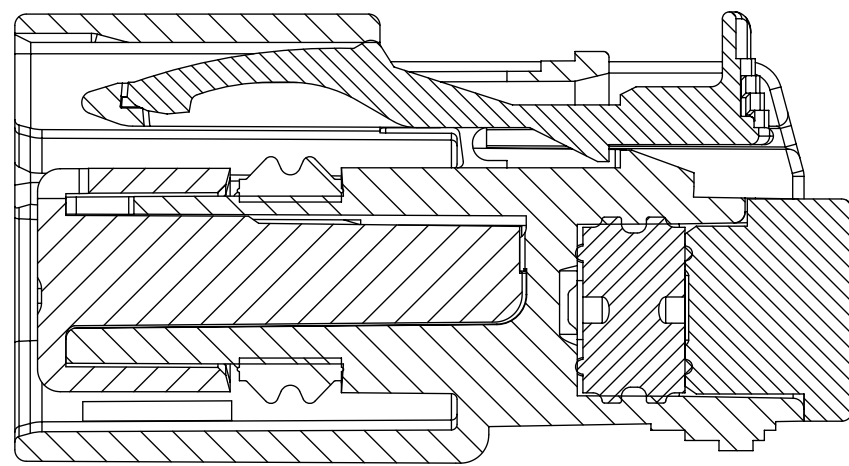
MOLD CAVITY I.D. THIS LOCATION

RECYCLE CODE THIS LOCATION

MANUFACTURING LOCATION CODE THIS LOCATION



PRIMARY LOCK REINFORCEMENT (PLR) SHOWN  
IN PRE-STAGED POSITION  
SECTION Z-Z



PRIMARY LOCK REINFORCEMENT (PLR) SHOWN  
IN FINAL-LOCK POSITION  
SECTION X-X

<b>FUNCTIONAL SYMBOLS</b> FA = 0 FE = 0 FP = 0 <b>DIVISIONAL SYMBOLS</b>	THIS DRAWING CONTAINS INFORMATION THAT IS PROPRIETARY TO MOLEX ELECTRONIC TECHNOLOGIES, LLC AND SHOULD NOT BE USED WITHOUT WRITTEN PERMISSION		CURRENT REV DESC:		
	DIMENSION UNITS	SCALE	EC NO: 643941		
	mm	3:1	DRWN: XLDONG03 2020/08/21		
	GENERAL TOLERANCES (UNLESS SPECIFIED)		CHK'D: JDENG02 2020/08/26		
ANGULAR TOL ± 1.0°		APPR: JDENG02 2020/08/26		PRODUCT CUSTOMER DRAWING	
4 PLACES ±		INITIAL REVISION:		DOCUMENT NUMBER	
3 PLACES ±		DRWN: APROFFITT 2015/11/04		SD-33471-0001	
2 PLACES ± 0.1		APPR: KDEKOSKI 2016/06/14		DOC TYPE DOC PART REVISION	
1 PLACE ± 0.2		DRAFT WHERE APPLICABLE MUST REMAIN WITHIN DIMENSIONS		PSD 001 A1	
0 PLACES ±		THIRD ANGLE PROJECTION		CUSTOMER	
		D-DRAWING		GENERAL MARKET	
		SERIES		SHEET NUMBER	
		33471		5 OF 8	



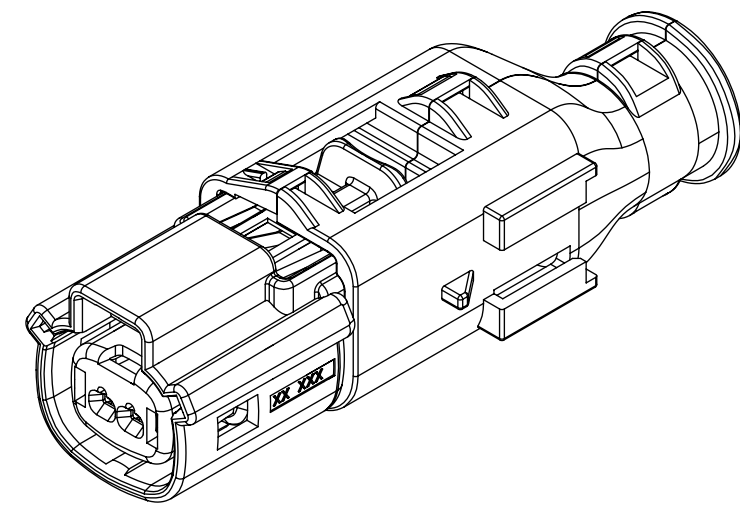
# SHEET DESCRIPTION

## BACKSHELL NOTES

BACKSHELL NOTES: VALID UNLESS OTHERWISE SPECIFIED

1. GENERAL:

- a. APPLICATION SPECIFICATION SEE: AS-34951-001
  - DESIGNED TO MATE WITH RECEPTACLE SEALED ASSEMBLY SPECIFIED IN MOLEX DRAWING SD-33471-0001.
  - SYSTEM TO BE USED WITH WIRE WITHIN DIAMETER RANGE OF 1.2mm TO 2.69mm.
  - COMPONENTS ARE OPTIONAL AND MUST BE PURCHASED SEPERATELY.
  - BACKSHELL DESIGN IS OWNED BY SCHLEMMER.
  - FOR ADDITIONAL INFORMATION SEE THE BACKSHELL COMPONENT DRAWING SD-34949-0001.



1X2

BACKSHELL CUSTOMER MODEL NUMBER LEGEND

34949-XXXX

CUSTOMER MODEL COMPONENTS

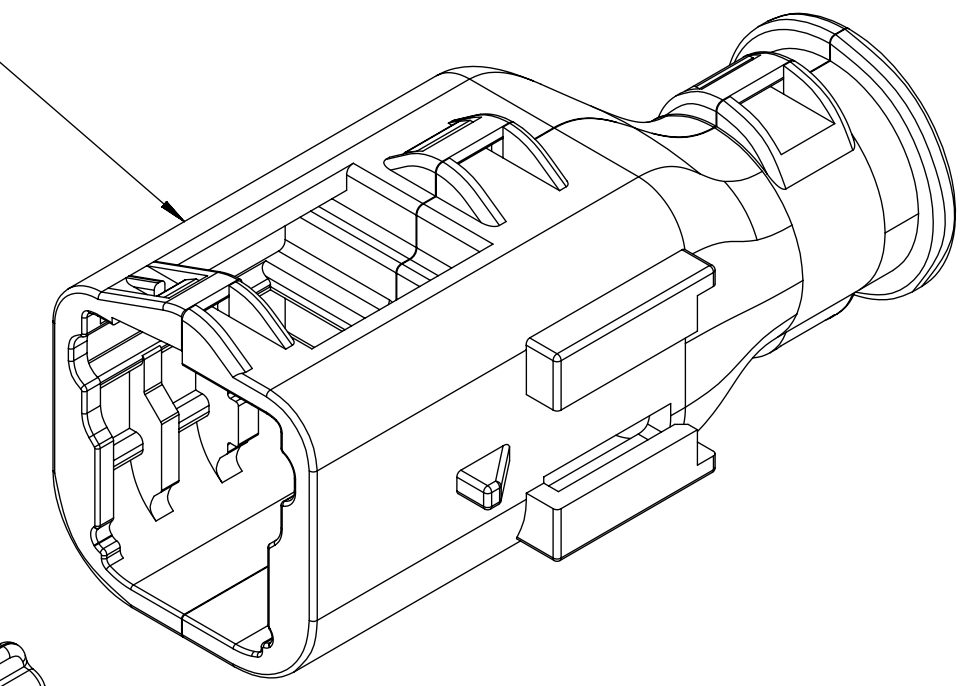
- 0 - BACKSHELL ONLY
- 1 - BACKSHELL & MX150 HOUSING KEY A ASSEMBLY
- 2 - BACKSHELL & MX150 HOUSING KEY B ASSEMBLY
- 3 - BACKSHELL & MX150 HOUSING KEY C ASSEMBLY
- 4 - BACKSHELL & MX150 HOUSING KEY D ASSEMBLY

BACKSHELL FEATURES

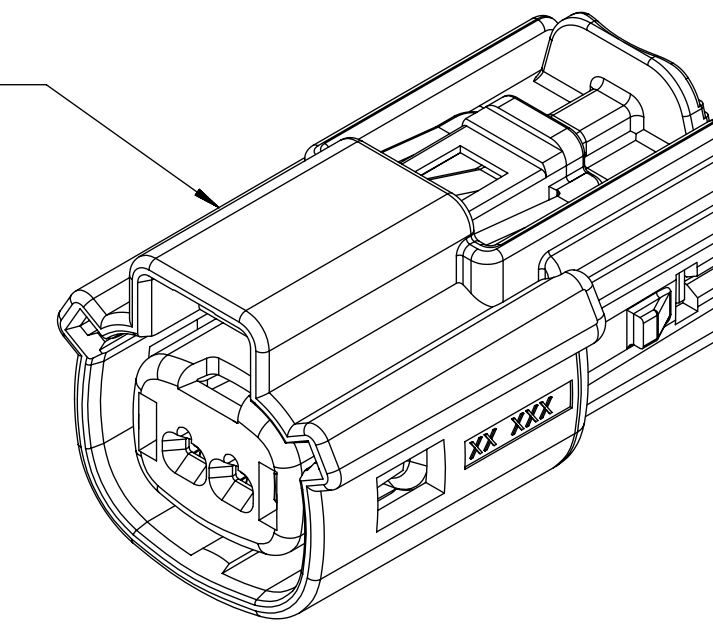
- 1 - WITH RIBS
- 2 - WITHOUT RIBS

MX150 CIRCUIT SIZE 02, 03, 04, 05, 06

BACKSHELL (BKS)



RECEPTACLE SEALED ASSEMBLY



FUNCTIONAL SYMBOLS	THIS DRAWING CONTAINS INFORMATION THAT IS PROPRIETARY TO MOLEX ELECTRONIC TECHNOLOGIES, LLC AND SHOULD NOT BE USED WITHOUT WRITTEN PERMISSION		
	DIMENSION UNITS	SCALE	CURRENT REV DESC:
$\nabla_A = 0$	mm	4:1	EC NO: 643941 DRWN: XLDONG03 2020/08/21 CHK'D: JDENG02 2020/08/26 APPR: JDENG02 2020/08/26
$\nabla_C = 0$	GENERAL TOLERANCES (UNLESS SPECIFIED)		
$\nabla_D = 0$	ANGULAR TOL $\pm 1.0^\circ$		INITIAL REVISION: DRWN: APROFFITT 2015/11/04 APPR: KDEKOSKI 2016/06/14
DIVISIONAL SYMBOLS	4 PLACES	$\pm$	
	3 PLACES	$\pm$	DOCUMENT NUMBER <b>SD-33471-0001</b> DOC TYPE PSD DOC PART 001 REVISION <b>A1</b>
	2 PLACES	$\pm 0.1$	
	1 PLACE	$\pm 0.2$	MATERIAL NUMBER SEE NOTE 2a CUSTOMER GENERAL MARKET SHEET NUMBER 6 OF 8
	0 PLACES	$\pm$	
DRAFT WHERE APPLICABLE MUST REMAIN WITHIN DIMENSIONS		THIRD ANGLE PROJECTION	DRAWING <b>D-SIZE</b>
		SERIES <b>33471</b>	

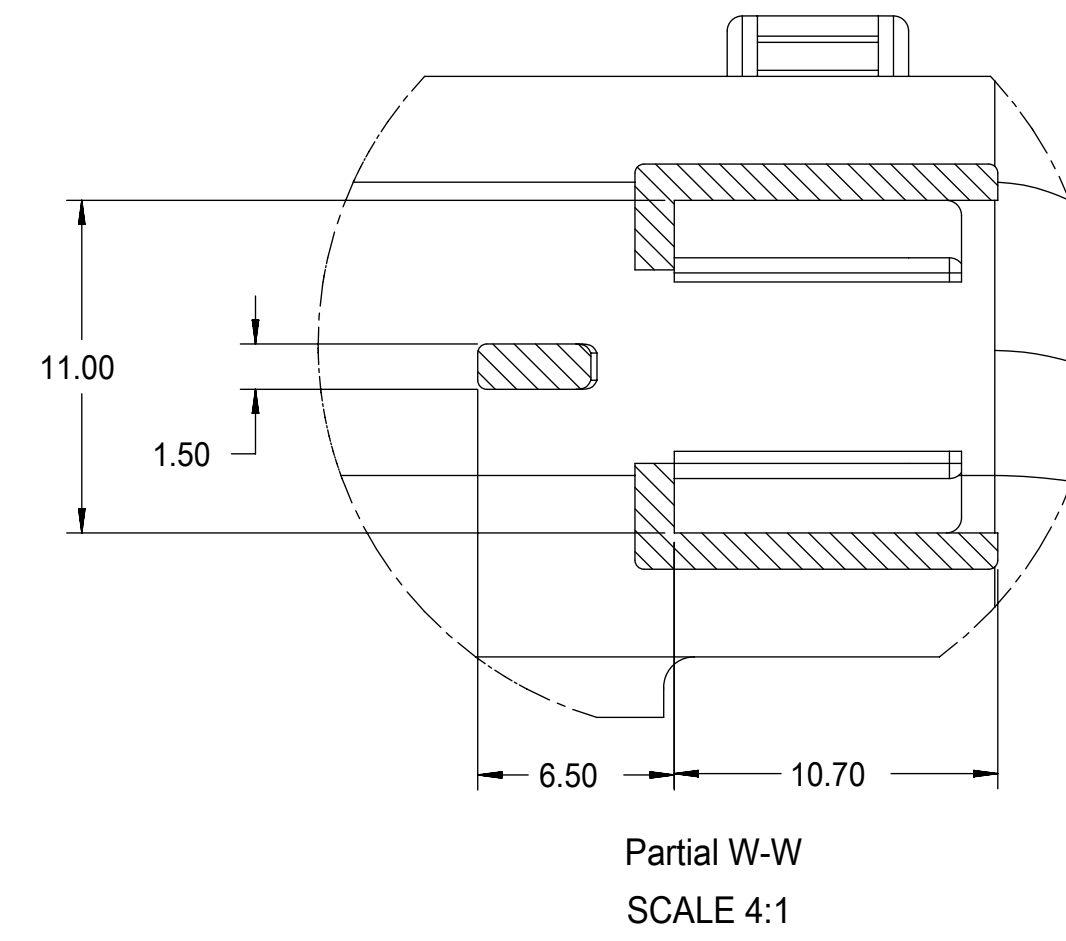
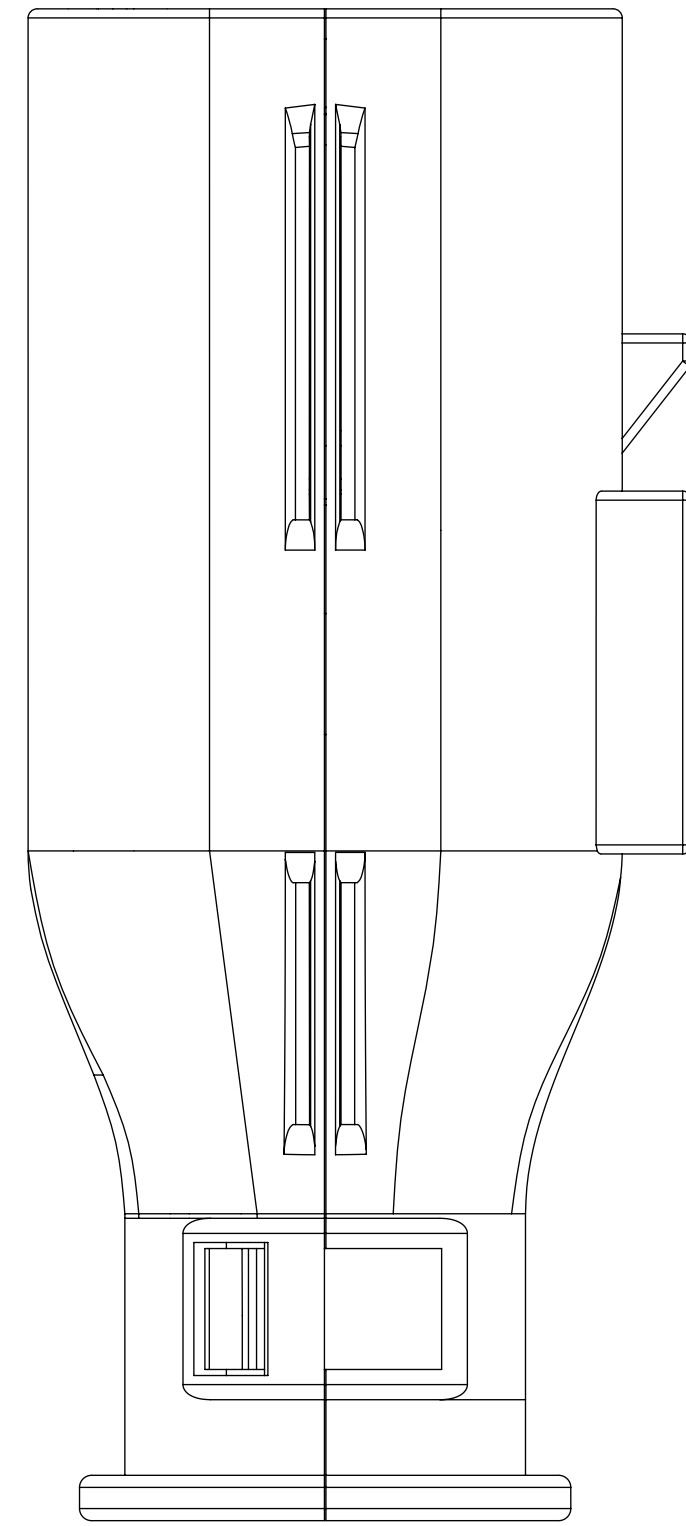
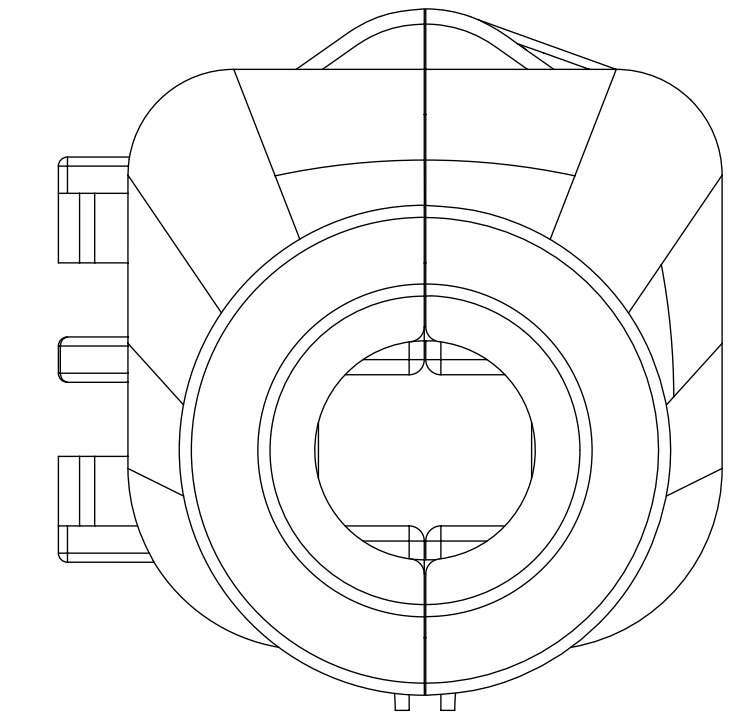
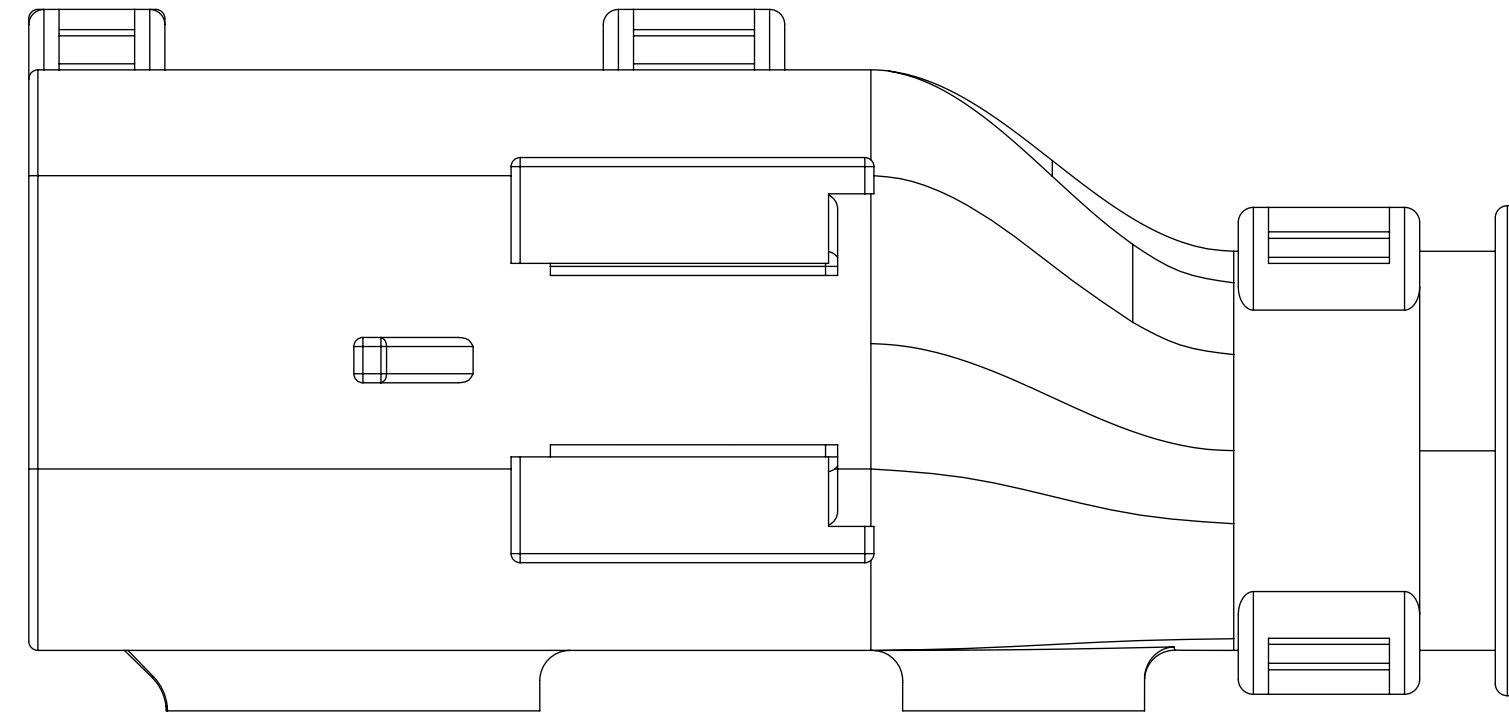
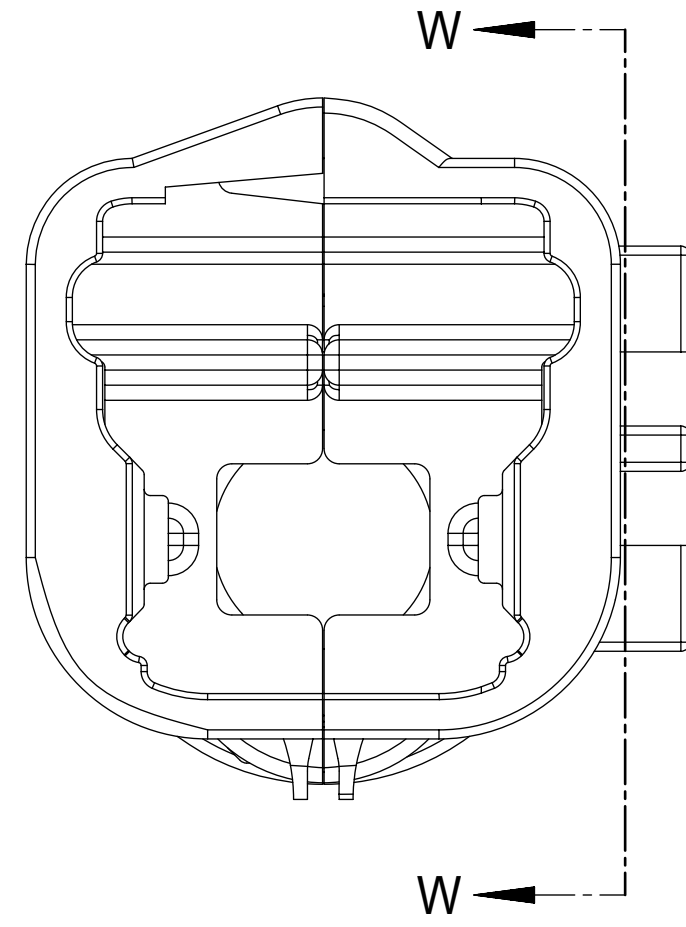
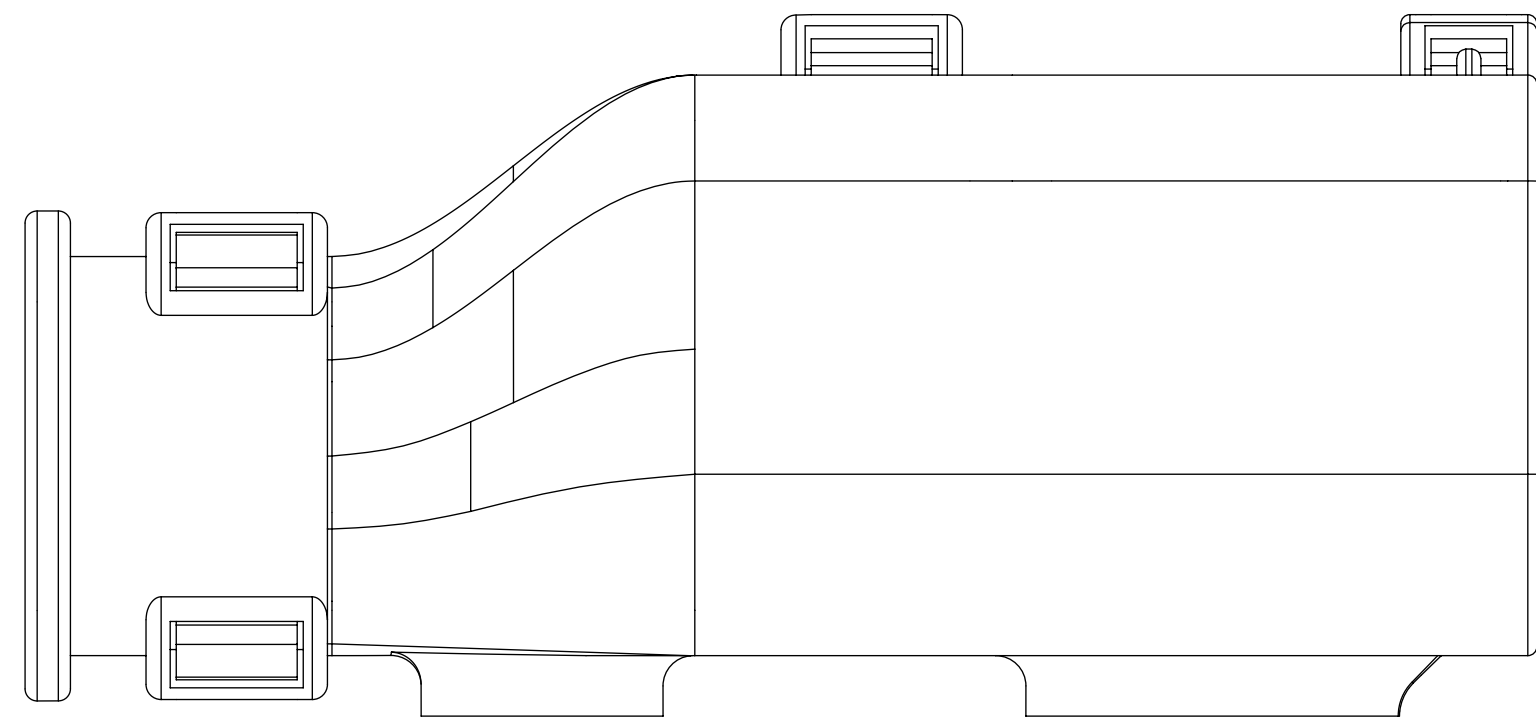
**molex**

MX150 RCPT  
SINGLE ROW SEALED ASSY MAT SEAL

PRODUCT CUSTOMER DRAWING

**SHEET DESCRIPTION**

BACKSHELL



<b>FUNCTIONAL SYMBOLS</b> $F_A = 0$ $F_C = 0$ $F_P = 0$	THIS DRAWING CONTAINS INFORMATION THAT IS PROPRIETARY TO MOLEX ELECTRONIC TECHNOLOGIES, LLC AND SHOULD NOT BE USED WITHOUT WRITTEN PERMISSION		CURRENT REV DESC:				
	DIMENSION UNITS <b>mm</b>	SCALE <b>4:1</b>	EC NO: 643941 DRWN: XLDONG03 2020/08/21 CHK'D: JDENG02 2020/08/26 APPR: JDENG02 2020/08/26				
	GENERAL TOLERANCES (UNLESS SPECIFIED)		INITIAL REVISION:		PRODUCT CUSTOMER DRAWING		
	ANGULAR TOL $\pm 1.0^\circ$		DRWN: APROFFITT 2015/11/04 APPR: KDEKOSKI 2016/06/14		DOCUMENT NUMBER <b>SD-33471-0001</b>	DOC TYPE PSD	DOC PART 001
DRAFT WHERE APPLICABLE MUST REMAIN WITHIN DIMENSIONS		THIRD ANGLE PROJECTION 	DRAWING <b>D-SIZE</b>	SERIES <b>33471</b>	MATERIAL NUMBER SEE NOTE 2a	CUSTOMER GENERAL MARKET	SHEET NUMBER 7 OF 8

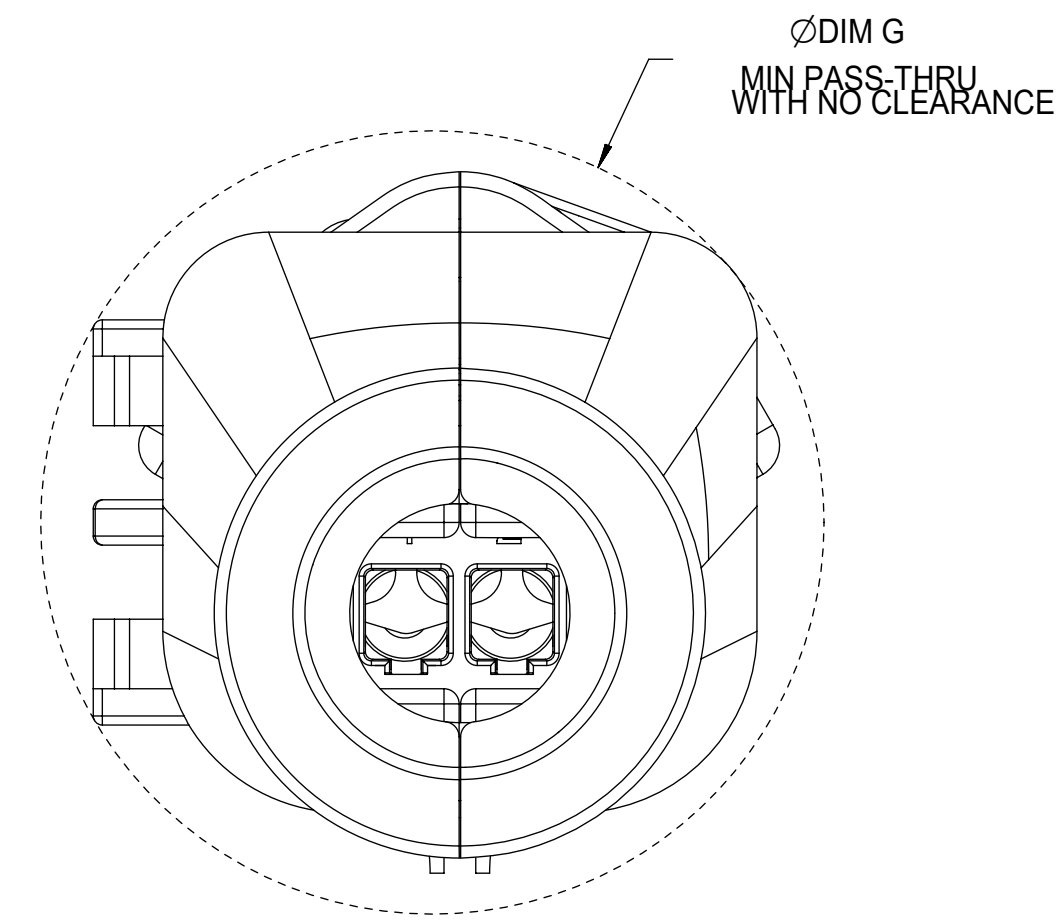
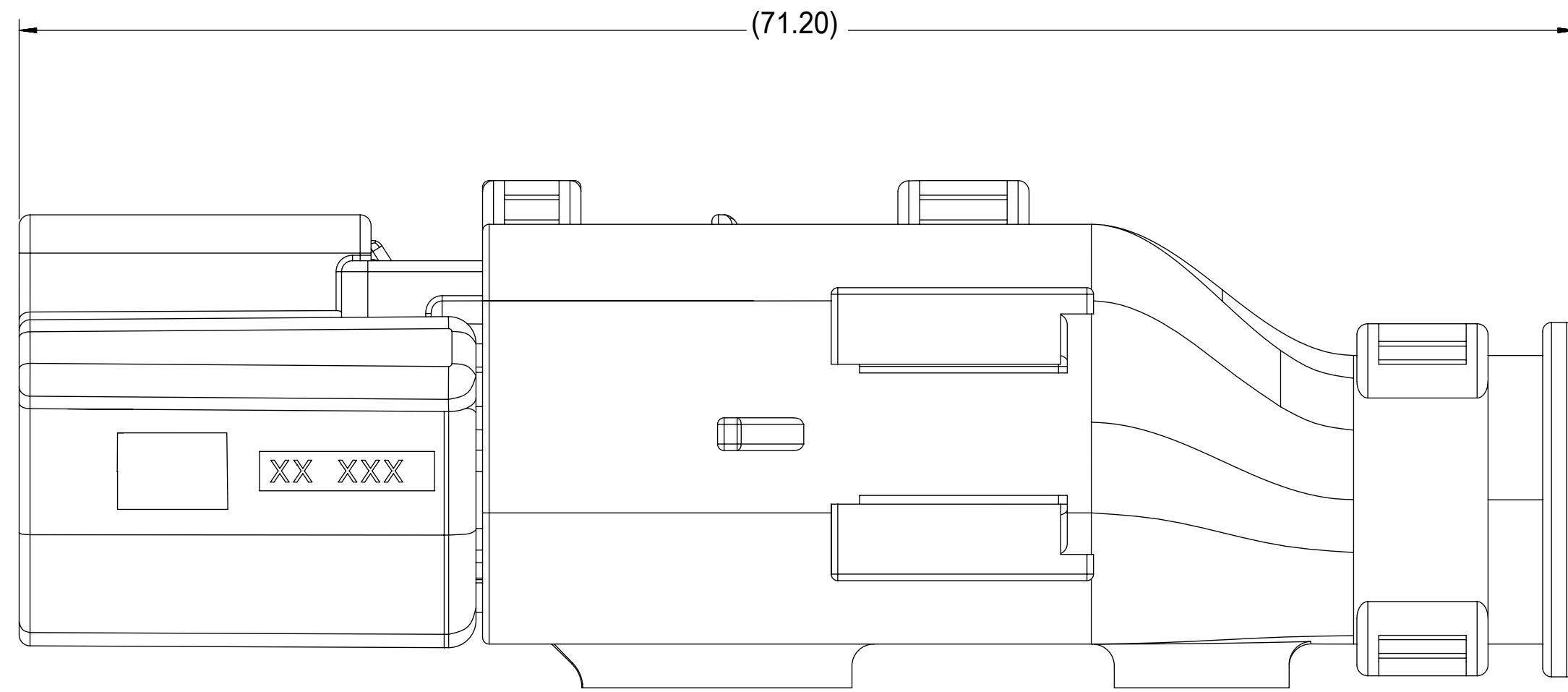


**SHEET DESCRIPTION**

BACKSHELL CONFIGURATIONS

**CHARTED DIMENSIONS**

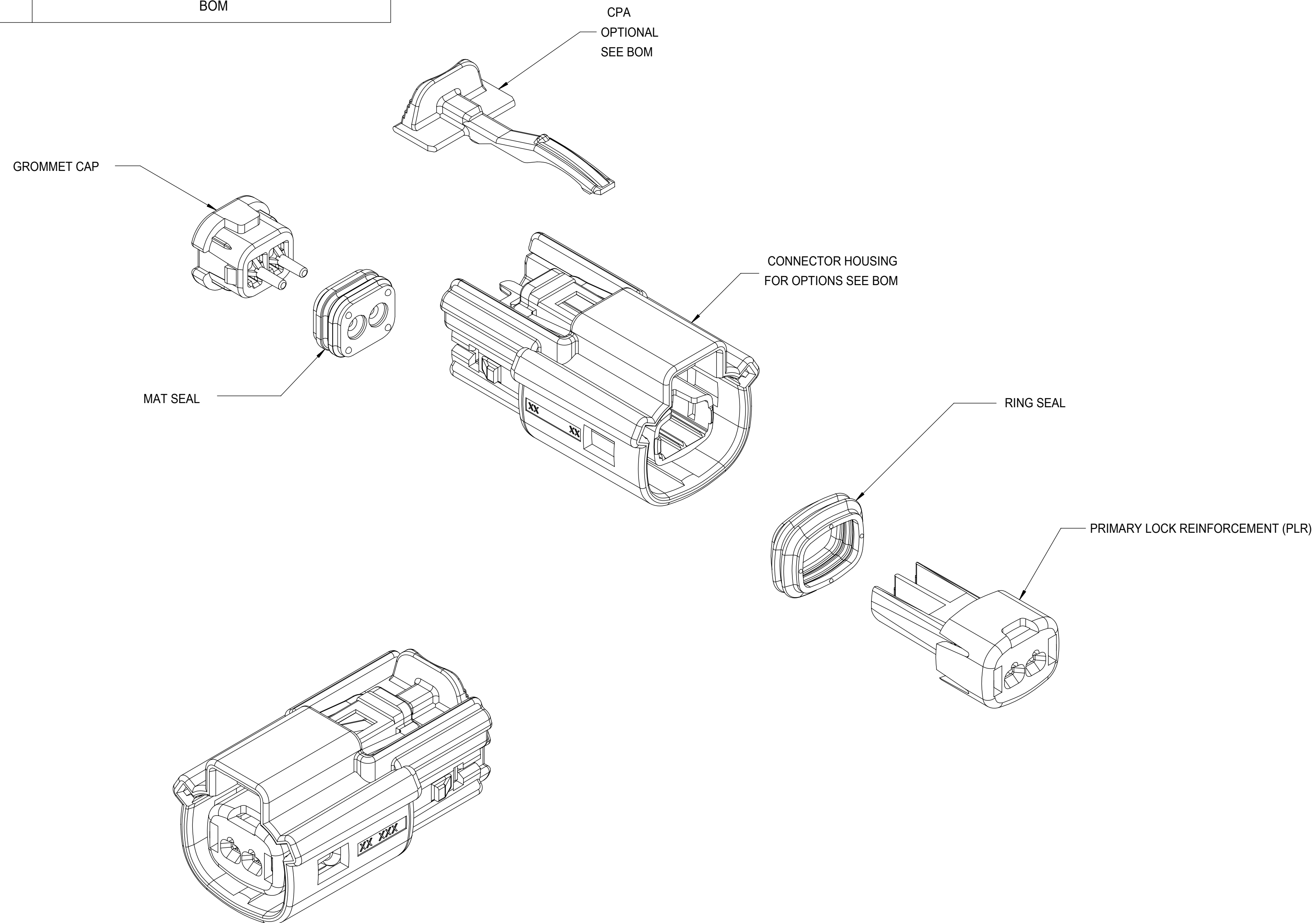
DESCRIPTION	DIMENSIONS
	G
1X2	26.00



RECEPTACLE SEALED ASSEMBLY WITH RECEPTACLE BACKSHELL

<b>FUNCTIONAL SYMBOLS</b> FA = 0 FC = 0 FP = 0 <b>DIVISIONAL SYMBOLS</b>	THIS DRAWING CONTAINS INFORMATION THAT IS PROPRIETARY TO MOLEX ELECTRONIC TECHNOLOGIES, LLC AND SHOULD NOT BE USED WITHOUT WRITTEN PERMISSION		CURRENT REV DESC:				
	DIMENSION UNITS	SCALE	EC NO: 643941				
	mm	4:1	DRWN: XLDONG03 2020/08/21				
	GENERAL TOLERANCES (UNLESS SPECIFIED)		CHK'D: JDENG02 2020/08/26				
	ANGULAR TOL ± 1.0°		APPR: JDENG02 2020/08/26				
4 PLACES	±	INITIAL REVISION:		DOCUMENT NUMBER	DOC TYPE	DOC PART	REVISION
3 PLACES	±	DRWN: APROFFITT 2015/11/04		SD-33471-0001	PSD	001	A1
2 PLACES	± 0.1	APPR: KDEKOSKI 2016/06/14		SEE NOTE 2a	GENERAL MARKET	SHEET NUMBER	
1 PLACE	± 0.2	DRAFT WHERE APPLICABLE MUST REMAIN WITHIN DIMENSIONS		D-SIZE	33471	8 OF 8	
0 PLACES	±	THIRD ANGLE PROJECTION					

TABLE OF CONTENTS	
SHEET NO.	SHEET DESCRIPTION
1	NOTES
2	KEY CONFIGURATIONS
3	RECEPTACLE SEALED ASSEMBLY
4	BACKSHELL NOTES
5	BACKSHELL
6	BACKSHELL CONFIGURATIONS
7	BOM



NOTES: VALID UNLESS OTHERWISE SPECIFIED

1. GENERAL:
  - a. APPLICATION SPECIFICATION SEE: AS-33472-100
    - CONTAINS: PRODUCT INTRODUCTION, PRODUCT SUMMARY, CONNECTOR ASSEMBLY, PACKAGING INFORMATION, CONNECTOR MATING, SERVICE INSTRUCTIONS, ELECTRICAL CONTINUITY CHECKING, CRIMPING, AND TROUBLESHOOTING.
    - DESIGNED TO MATE WITH DEVICE CONNECTION AS SPECIFIED IN DRAWING EWCAP 150-S-002-1-Z05, AVAILABLE AT <http://ewcap.uscarteams.org>.
    - DESIGNED TO MATE WITH BLADE SEALED ASSEMBLY AS SPECIFIED IN DRAWING SD-33481-021
    - FOR 1.5mm RECEPTACLE TERMINALS TO BE USED WITH THIS ASSEMBLY. SEE MOLEX DRAWING SD-33012-002.
    - SYSTEM TO BE USED WITH WIRE WITHIN DIAMETER RANGE OF 1.2 mm TO 2.69 mm.
    - ASSEMBLY SHIPPED WITH PLR AND CPA IN PRE-LOCK POSITION (SEE SECTION Z-Z PRE-LOCK).
    - IN THE EVENT THAT THE PLR IS FOUND IN THE SEATED (FINAL LOCK) POSITION, REFER TO MOLEX SPECIFICATION PS-34646-001, AVAILABLE AT www.molex.com <http://www.molex.com>.
    - ASSEMBLY CONFORMS TO SAE/USCAR-2 REV.4 WITH THE FOLLOWING EXCEPTIONS: ENGAGEMENT FORCE TO MOVE CPA FROM PRE-LOCK TO FINAL LOCK POSITION WHEN UNMATED: 40N MIN. DISENGAGEMENT FORCE TO MOVE CPA FROM FINAL LOCK TO PRE-LOCK POSITION: 3N MIN, 40N MAX. TERMINAL INSERTION FORCE FOR WIRE DIAMETER ABOVE 2.5mm NOT EXCEEDING 2.69mm SHALL NOT EXCEED 40 NEWTONS.
  - b. PRODUCT SPECIFICATION SEE: PS-33471-000
    - CONTAINS: PRODUCT INTRODUCTION, PRODUCT SUMMARY, RATINGS (CURRENT, TEMPERATURE, SEALING, AND FLAMMABILITY), AND PRODUCT VALIDATION.
  - c. PACKAGING SPECIFICATION PER MOLEX DRAWING: PK-31300-635
  - d. PARTS MUST BE IN COMPLIANCE TO MOLEX CHEMICAL SUBSTANCES FOR PRODUCTS AND PACKAGING SPECIFICATION: ES-40000-5016
  - e. DATA MUST BE SUBMITTED UNDER THE MOLEX PART NUMBER TO IMDS (COMPANY ID#13255)
2. DESIGN - MATERIALS:
  - a. SEE BOM TABLE
3. DESIGN - GEOMETRY:
  - a. THIS IS A 100% CAD GENERATED PART. THE CAD MATHEMATICAL DATA IS THE MASTER FOR THIS PART. FOR DIMENSIONAL OR ANY INFORMATION NOT SHOWN ON THIS DRAWING, ANALYZE THE CAD MODEL.
  - b. GEOMETRIC DIMENSIONS AND TOLERANCES PER ASME Y14.5M - 1994
  - c. EDGES AND UNDIMENSIONED DETAILS PER ISO13715
  - d. CORNERS SHOWN AS SHARP TO BE R 0.2 MAX.
  - e. LETTERING SHALL BE 0.15 MAX RAISED IN 0.25 MAX RECESS PAD. THIS INCLUDES RECYCLING CODE, CAVITY ID, VENDOR IDENTIFICATION, AND CUSTOMER MATERIAL NUMBER.
  - f. VISUAL DEFECTS SHALL MEET COSMETIC STANDARD PS-45499-002 (Class B)
  - g. LASER MARKING: TBD

INSPECTION NUMBER LOG  
 LAST NUMBER USED: 5  
 ADDED:  
 REMOVED:

C12	UPDATED THE DRAWING FRAME
C11	ADD NEW P/N 33471-0224
C10	ADD NEW P/N 33471-0223
C9	UPDATED VIEWSET & NOTES
C8	RENAMED BACKSHELLS
C7	UPDATED CONFIGURATIONS SHEET 3
C6	UPDATED PACKAGING SPECIFICATION
C5	UPDATED GROMMET CAP CALLOUT
C4	REDRAWN, ADDED BACKSHELL
REV	DESCRIPTION

FUNCTIONAL SYMBOLS	THIS DRAWING CONTAINS INFORMATION THAT IS PROPRIETARY TO MOLEX ELECTRONIC TECHNOLOGIES, LLC AND SHOULD NOT BE USED WITHOUT WRITTEN PERMISSION		CURRENT REV DESC:			
$\frac{F}{A} = 0$	DIMENSION UNITS	SCALE				
	mm	3:1				
$\frac{F}{C} = 0$	GENERAL TOLERANCES (UNLESS SPECIFIED)					
	ANGULAR TOL	$\pm 3.0^\circ$				
$\frac{F}{D} = 0$	4 PLACES	$\pm$				
	3 PLACES	$\pm$				
	2 PLACES	$\pm 0.1$				
	1 PLACE	$\pm 0.2$				
	0 PLACES	$\pm$				
DIVISIONAL SYMBOLS	DRAFT WHERE APPLICABLE MUST REMAIN WITHIN DIMENSIONS		THIRD ANGLE PROJECTION			
			DRAWING SERIES			
			D-SIZE 33471			
			MATERIAL NUMBER CUSTOMER			
			SEE BOM GENERAL MARKET			
			SHEET NUMBER			
			1 OF 7			

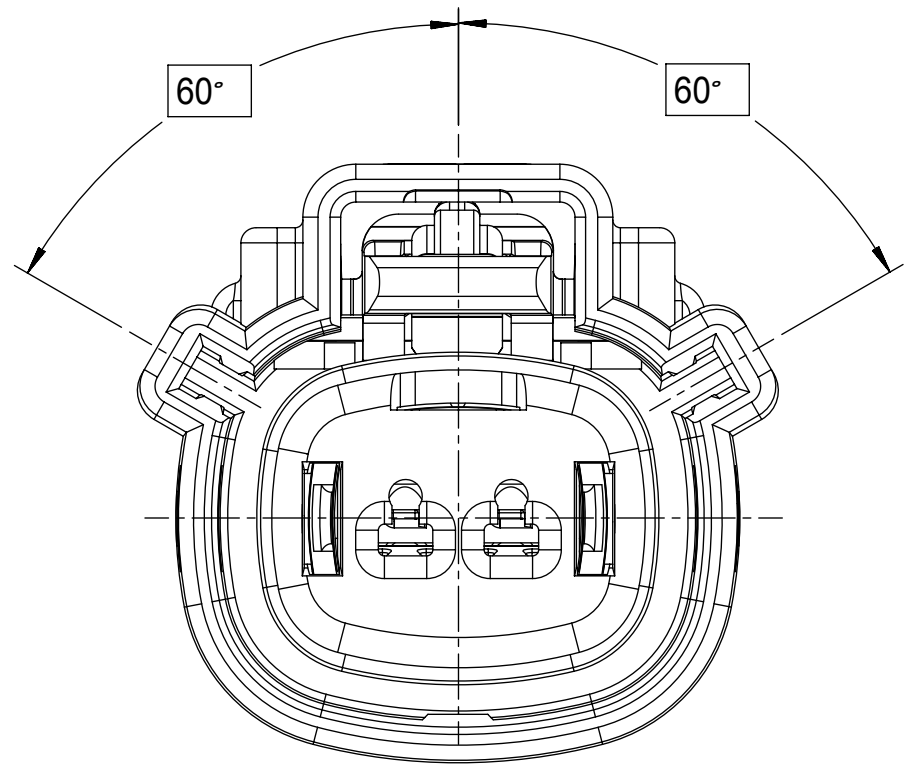
# molex

MX150 1X2 RECEPTACLE SEALED ASSEMBLY MAT SEAL

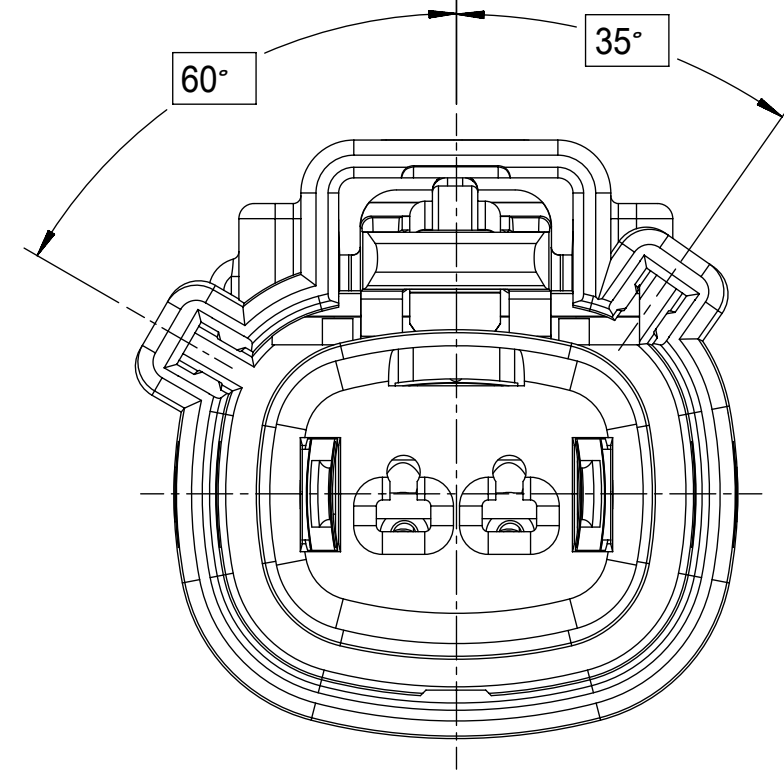
PRODUCT CUSTOMER DRAWING

DOCUMENT NUMBER: **SD-33471-021**    DOC TYPE: PSD    DOC PART: 001    REVISION: C12

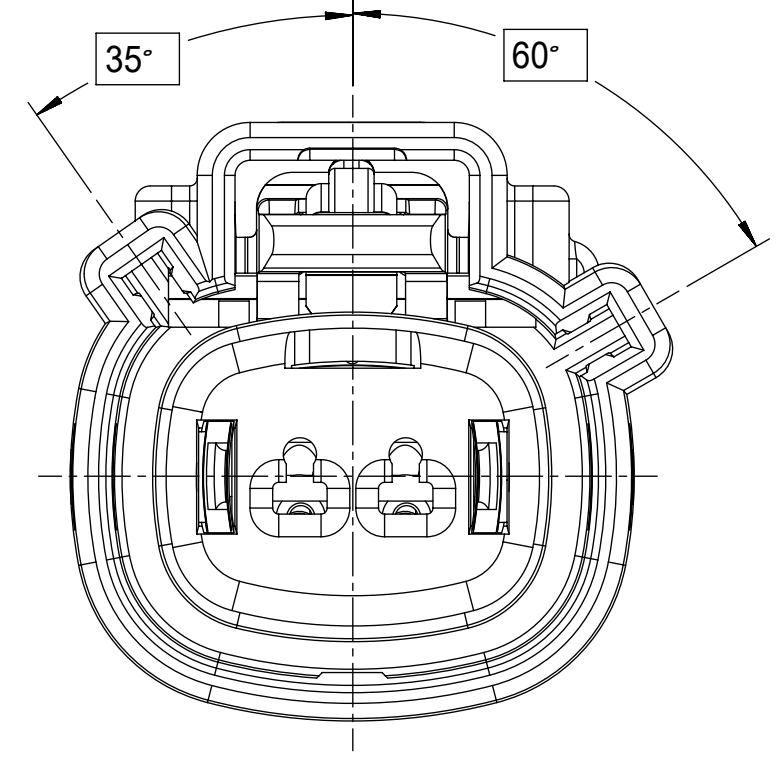
KEY CONFIGURATIONS



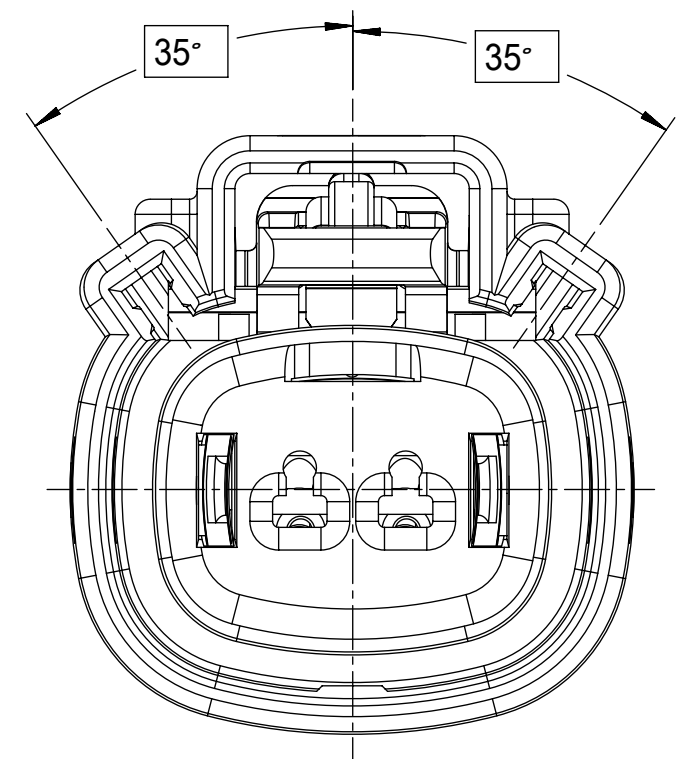
KEY A



KEY B

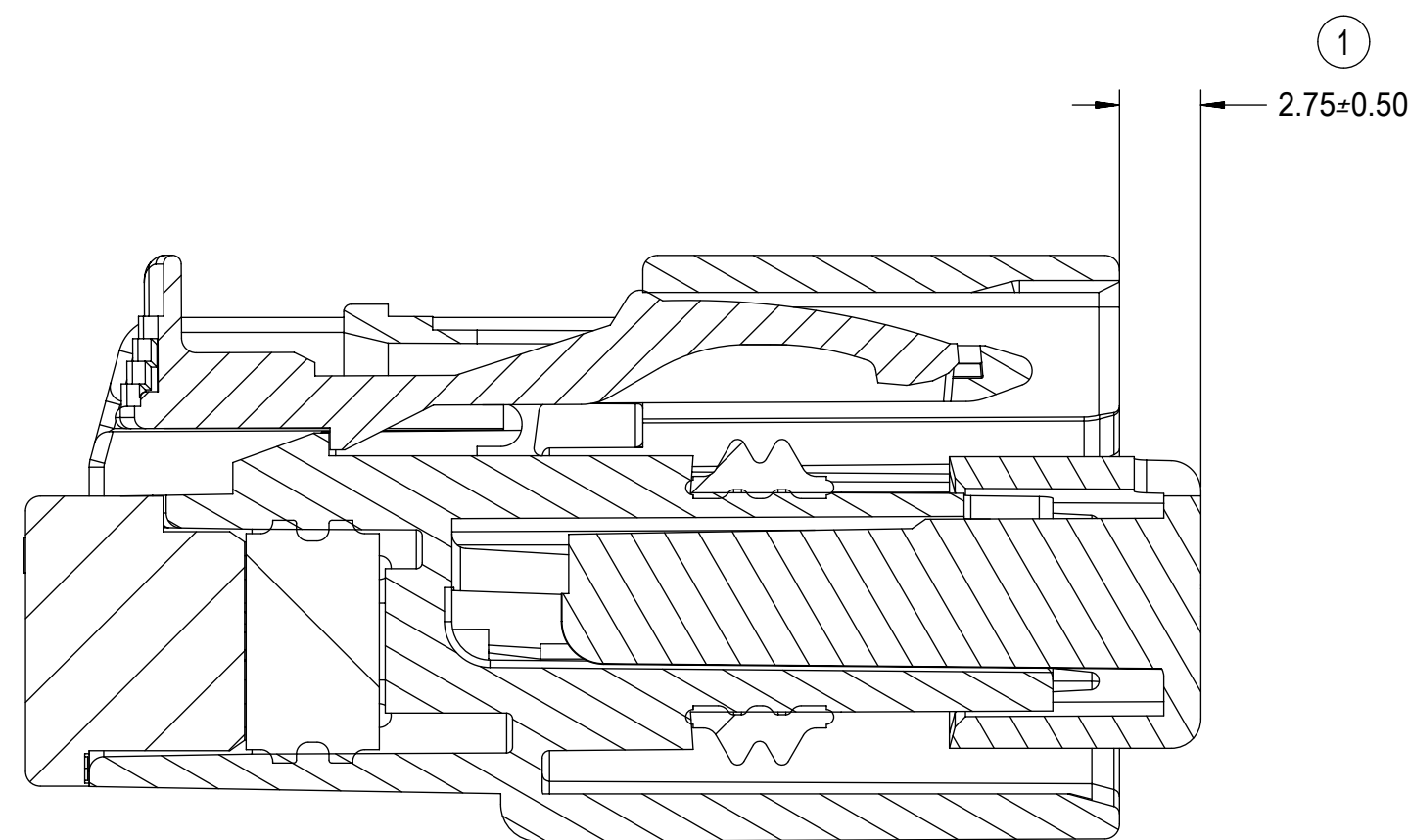
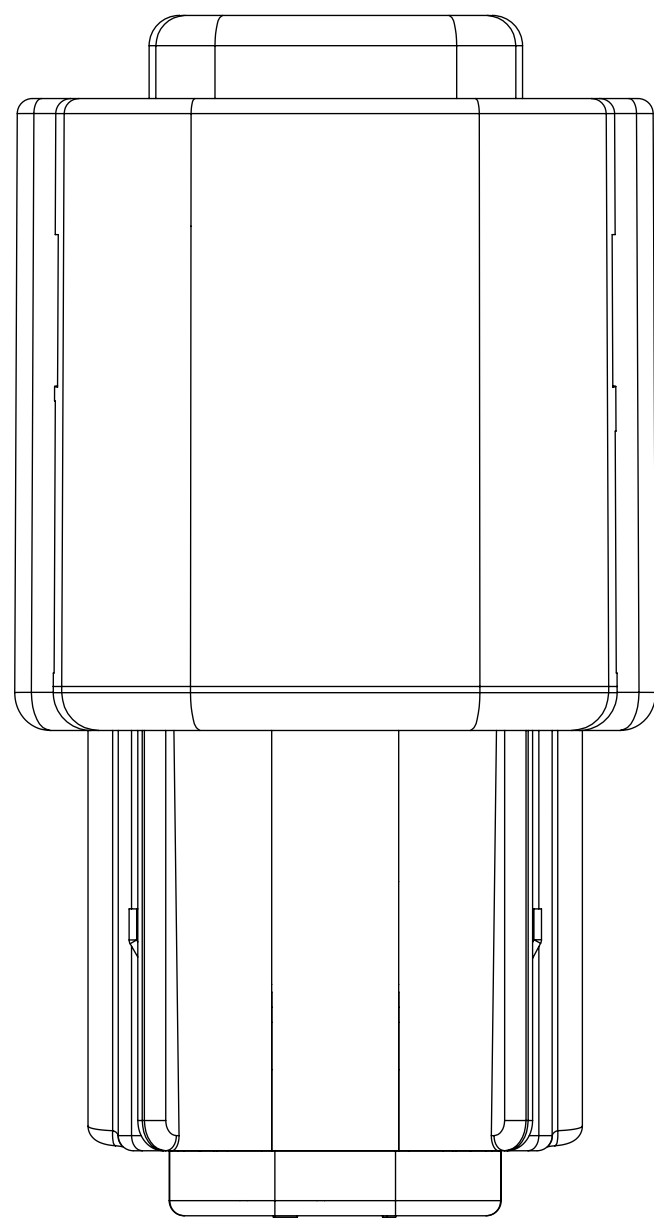
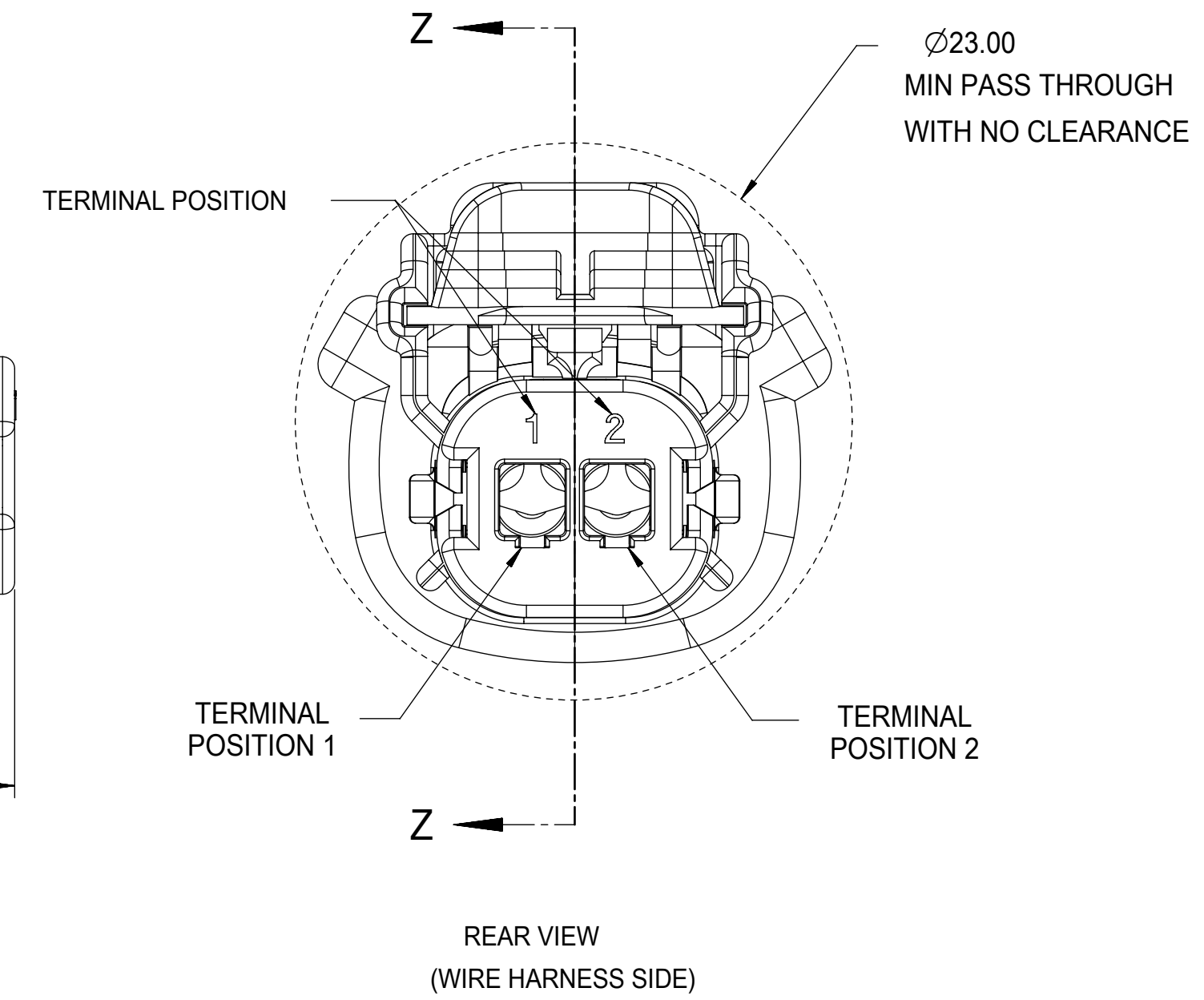
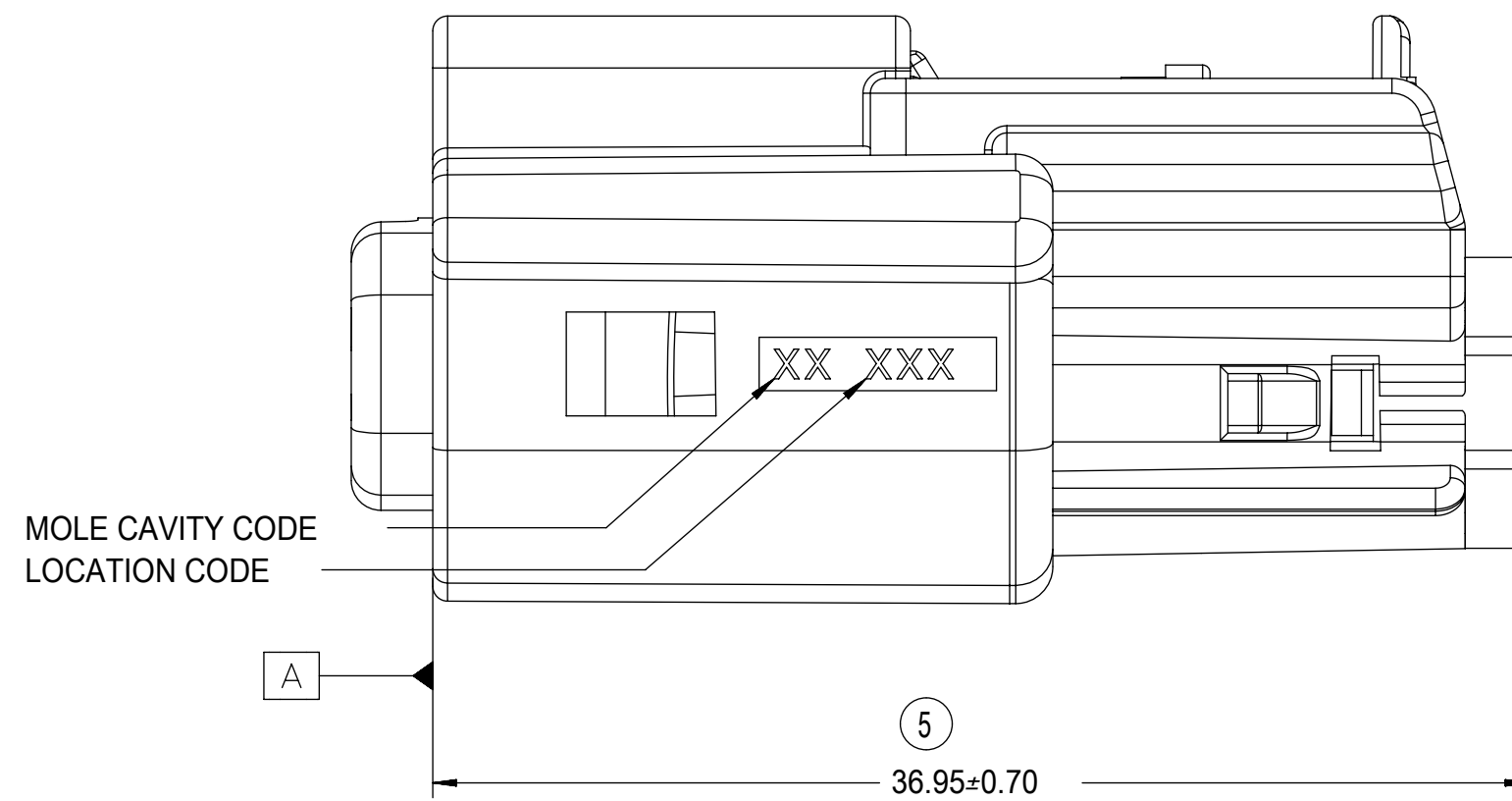
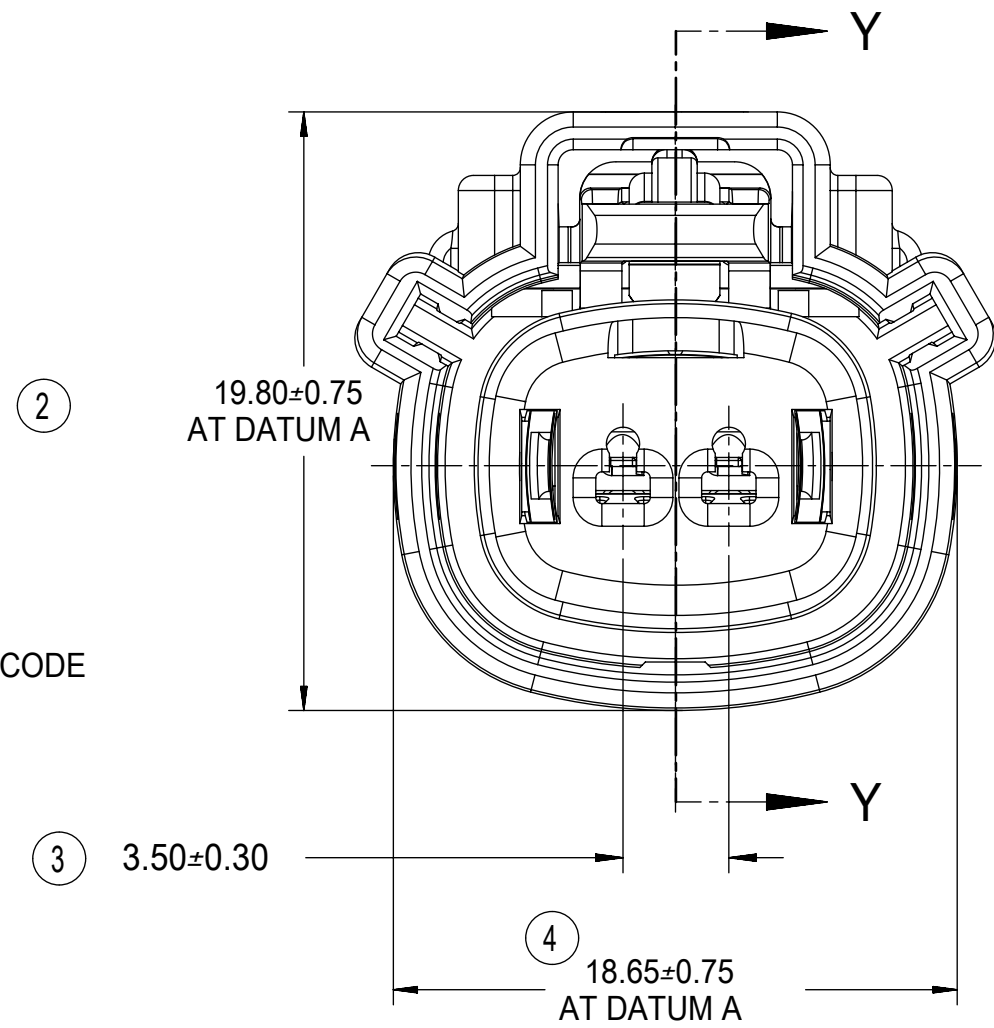
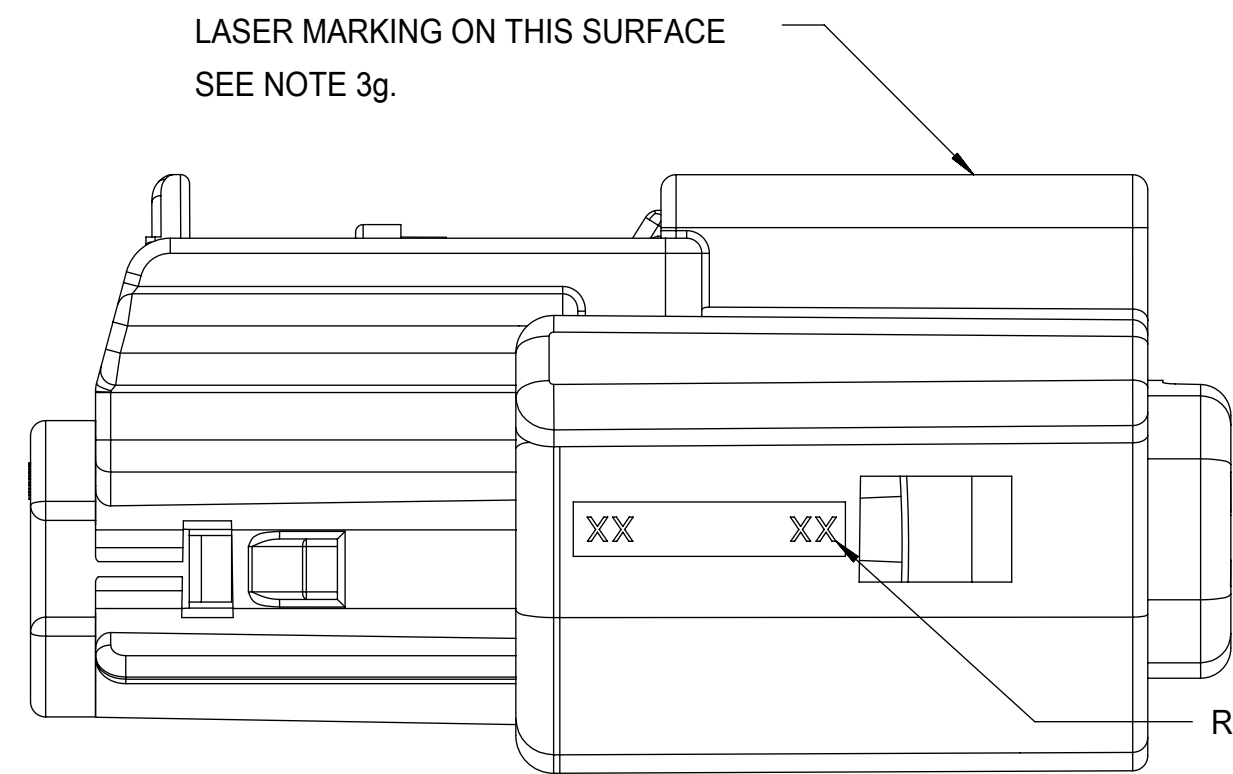


KEY C



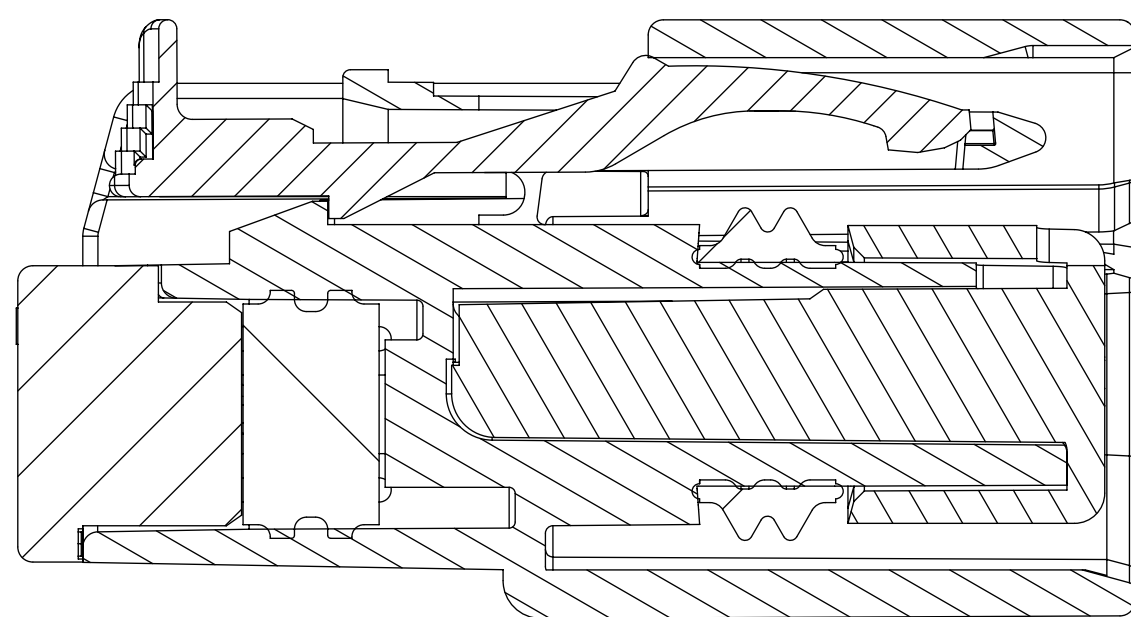
KEY D

FUNCTIONAL SYMBOLS	THIS DRAWING CONTAINS INFORMATION THAT IS PROPRIETARY TO MOLEX ELECTRONIC TECHNOLOGIES, LLC AND SHOULD NOT BE USED WITHOUT WRITTEN PERMISSION											
	FA = 0	mm	SCALE 4:1	CURRENT REV DESC:							<b>molex</b>	
FC = 0	GENERAL TOLERANCES (UNLESS SPECIFIED)			EC NO: 643941								
DIVISIONAL SYMBOLS	ANGULAR TOL ± 3.0°			DRWN: XLDONG03 2020/08/21							PRODUCT CUSTOMER DRAWING	
	4 PLACES ±			CHK'D: JDENG02 2020/08/26							DOCUMENT NUMBER	
	3 PLACES ±			APPR: JDENG02 2020/08/26							DOC TYPE DOC PART REVISION	
	2 PLACES ± 0.1			INITIAL REVISION:							SD-33471-021 PSD 001 C12	
	1 PLACE ± 0.2			DRWN: SVERZYL 2010/11/04							MATERIAL NUMBER CUSTOMER	
0 PLACES ±			APPR: VKOSHY							SEE BOM GENERAL MARKET		
DRAFT WHERE APPLICABLE MUST REMAIN WITHIN DIMENSIONS			THIRD ANGLE PROJECTION		DRAWING D-SIZE		SERIES 33471		SHEET NUMBER 2 OF 7			



PRIMARY LOCK REINFORCEMENT (PLR) SHOWN  
IN PRE-STAGED POSITION

SECTION Z-Z

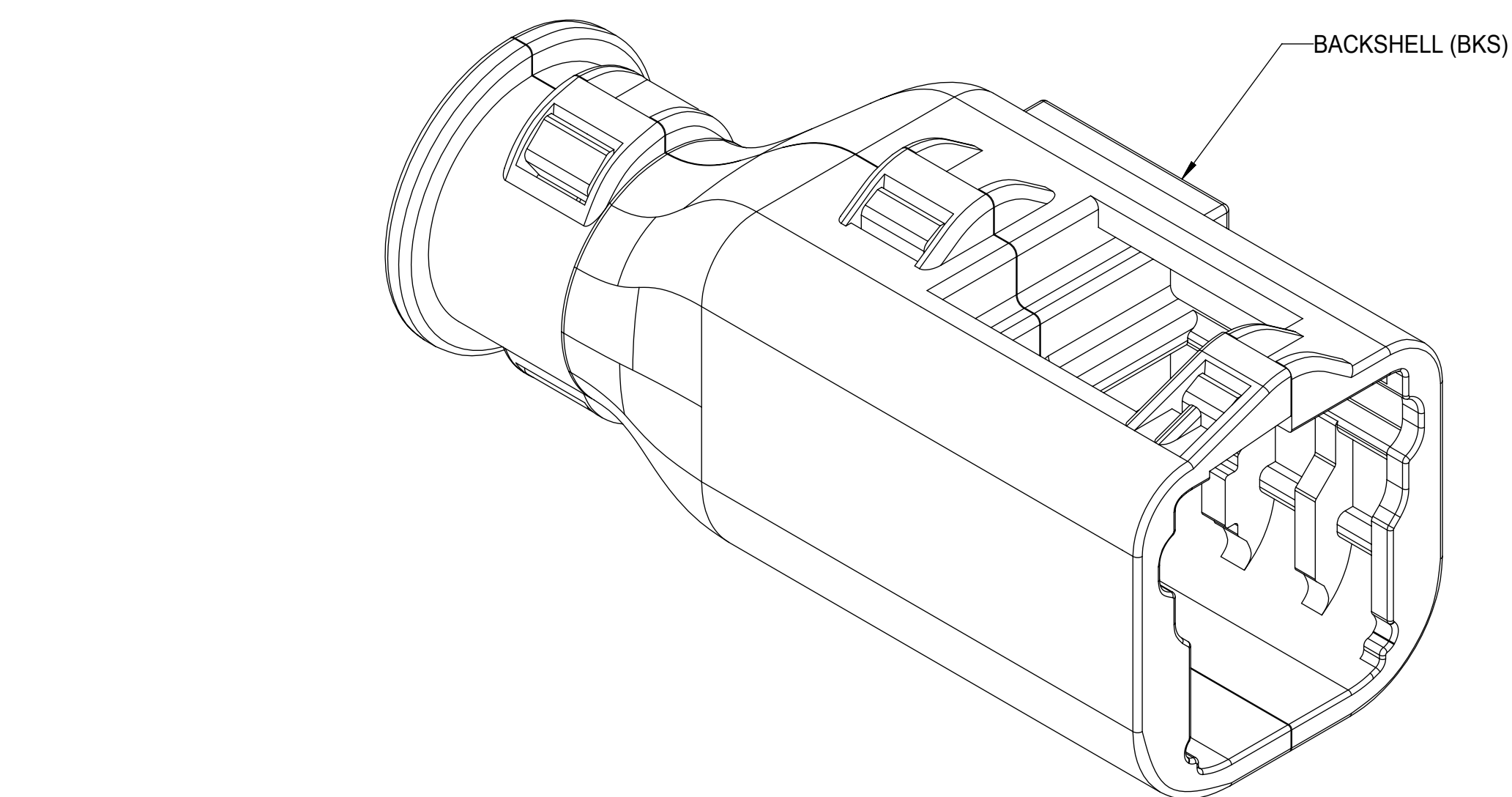


PRIMARY LOCK REINFORCEMENT (PLR) SHOWN  
IN FINAL-LOCK POSITION

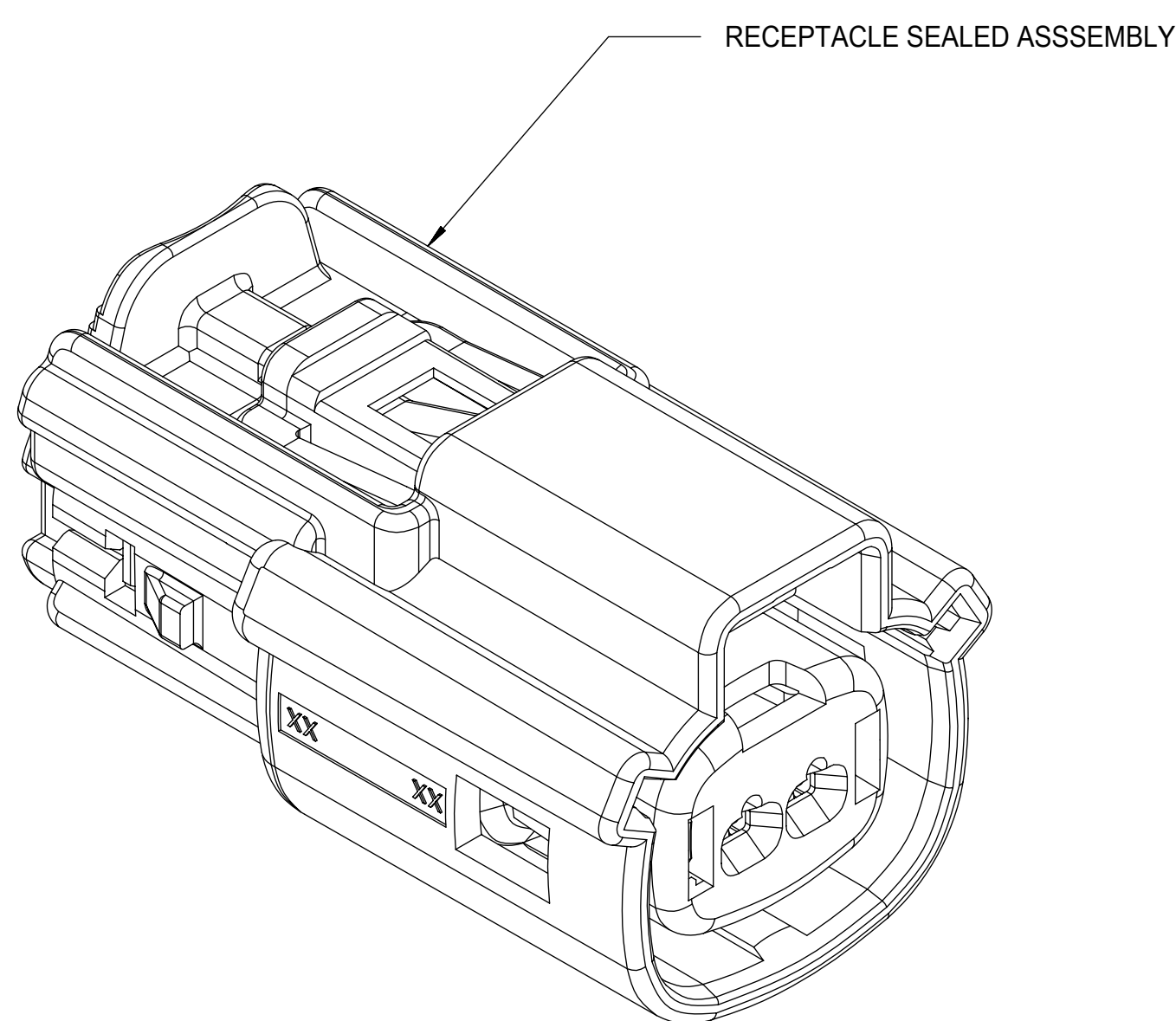
SECTION Y-Y

<b>FUNCTIONAL SYMBOLS</b> $F_A = 0$ $F_C = 0$ $F_D = 0$	THIS DRAWING CONTAINS INFORMATION THAT IS PROPRIETARY TO MOLEX ELECTRONIC TECHNOLOGIES, LLC AND SHOULD NOT BE USED WITHOUT WRITTEN PERMISSION		CURRENT REV DESC:	
	DIMENSION UNITS	SCALE	EC NO: 643941	
	mm	4:1	DRWN: XLDONG03	2020/08/21
	GENERAL TOLERANCES (UNLESS SPECIFIED)		CHK'D: JDENG02	2020/08/26
ANGULAR TOL ± 3.0°		APPR: JDENG02	2020/08/26	
<b>DIVISIONAL SYMBOLS</b> 4 PLACES ± 3 PLACES ± 2 PLACES ± 0.1 1 PLACE ± 0.2 0 PLACES ±	INITIAL REVISION:		DRWN: SVERZYL	2008/06/17
	DRAFT WHERE APPLICABLE MUST REMAIN WITHIN DIMENSIONS		APPR: VKOSHY	2010/11/04
	THIRD ANGLE PROJECTION	DRAWING	SERIES	MATERIAL NUMBER
		D-SIZE	33471	SEE BOM
CUSTOMER		GENERAL MARKET		SHEET NUMBER
DOCUMENT NUMBER		DOC TYPE	DOC PART	REVISION
SD-33471-021		PSD	001	C12
DOCUMENT STATUS		RELEASE DATE	SHEET NUMBER	
P1	2020/08/26 07:23:54	3 OF 7		

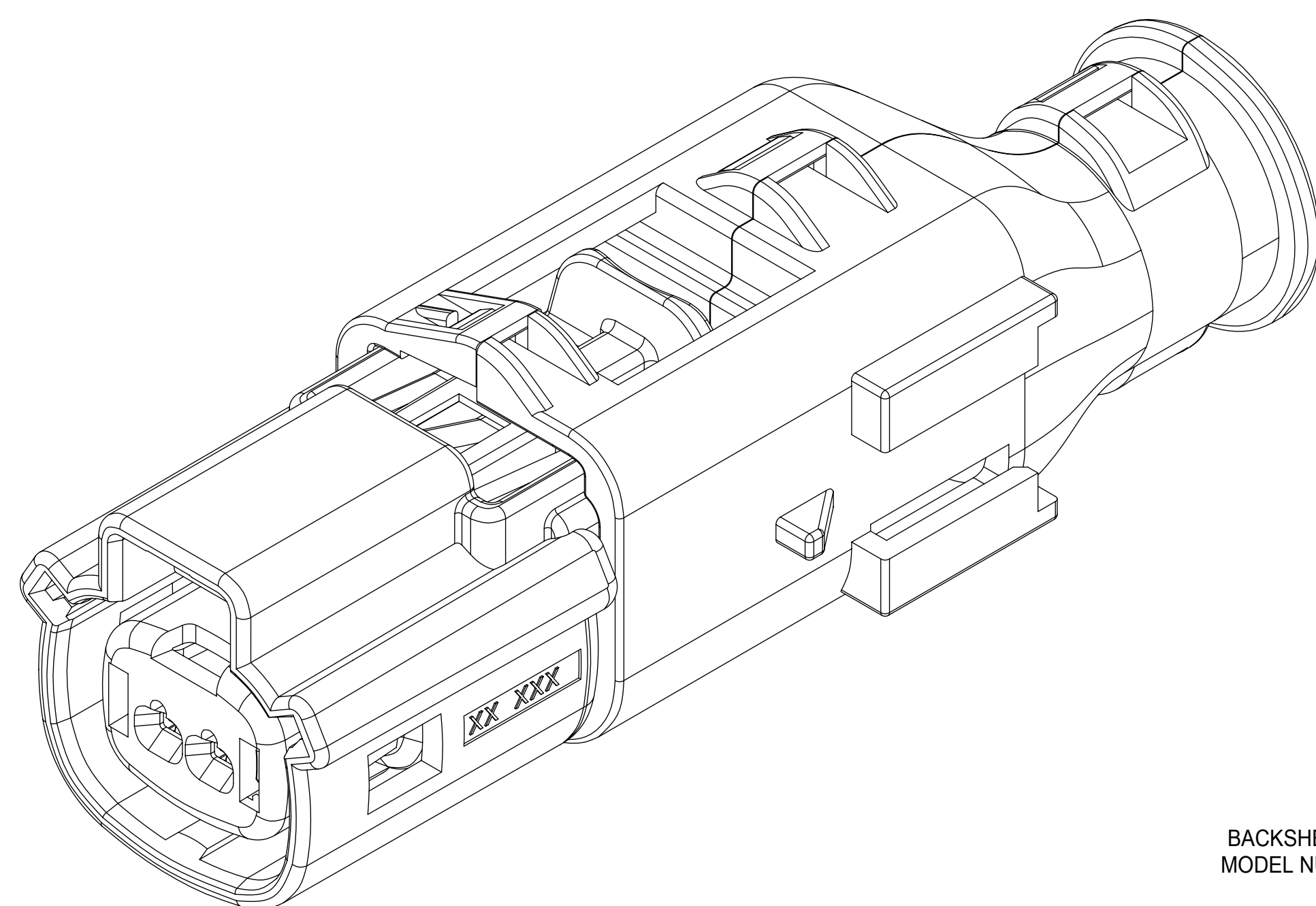
BACKSHELL NOTES



BACKSHELL (BKS)



RECEPTACLE SEALED ASSEMBLY



BACKSHELL CUSTOMER MODEL NUMBER LEGEND

34949-XXXX

- CUSTOMER MODEL COMPONENTS
- 0 - BACKSHELL ONLY
  - 1 - BACKSHELL & MX150 HOUSING KEY A ASSEMBLY
  - 2 - BACKSHELL & MX150 HOUSING KEY B ASSEMBLY
  - 3 - BACKSHELL & MX150 HOUSING KEY C ASSEMBLY
  - 4 - BACKSHELL & MX150 HOUSING KEY D ASSEMBLY

- BACKSHELL FEATURES
- 1 - WITH RIBS
  - 2 - WITHOUT RIBS

MX150 CIRCUIT SIZE 02, 03, 04, 05, 06

BACKSHELL NOTES VALID UNLESS OTHERWISE SPECIFIED

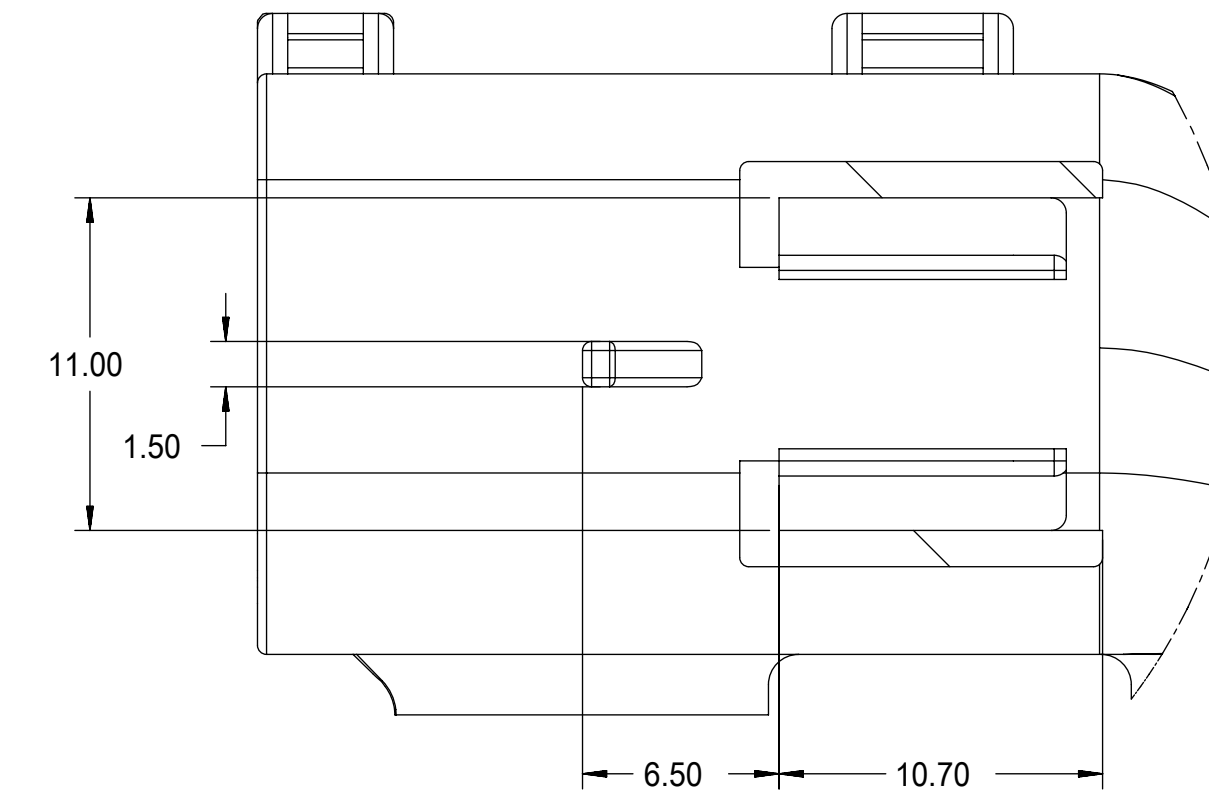
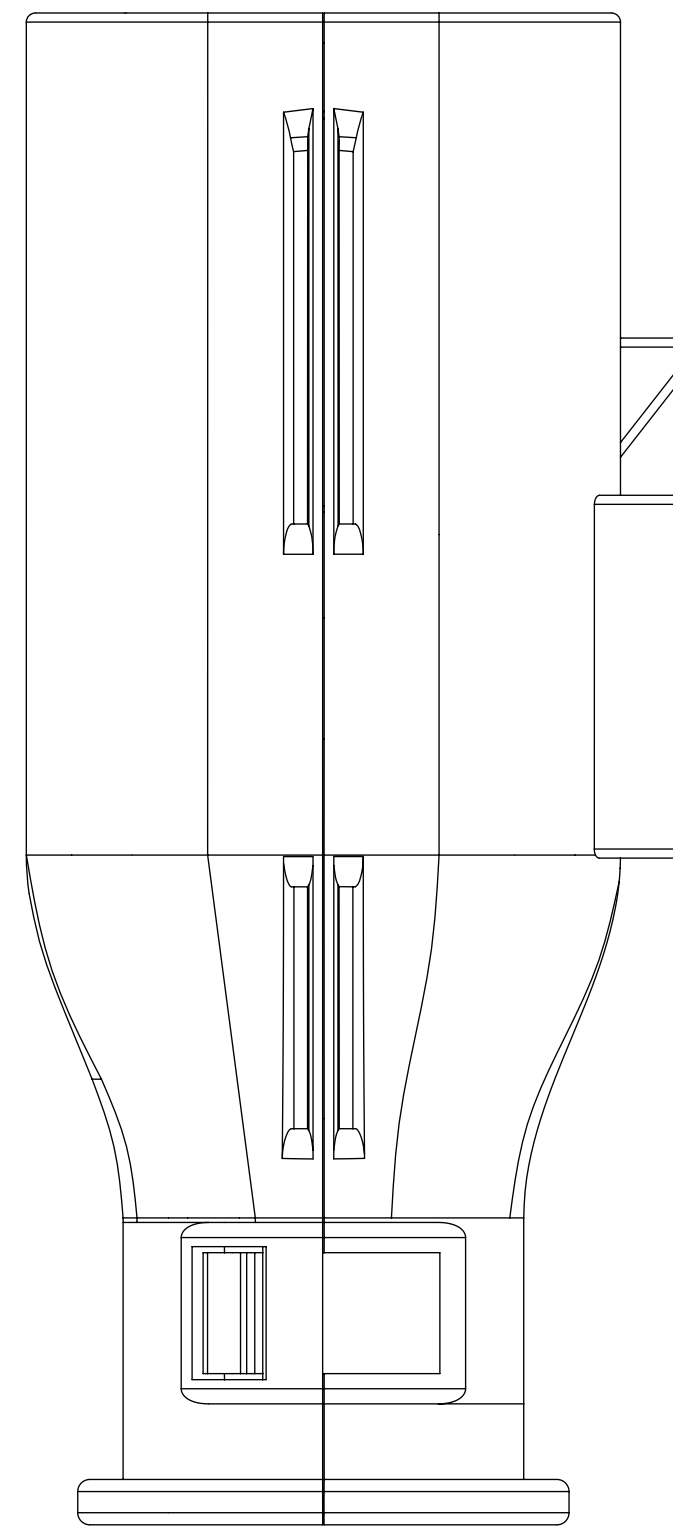
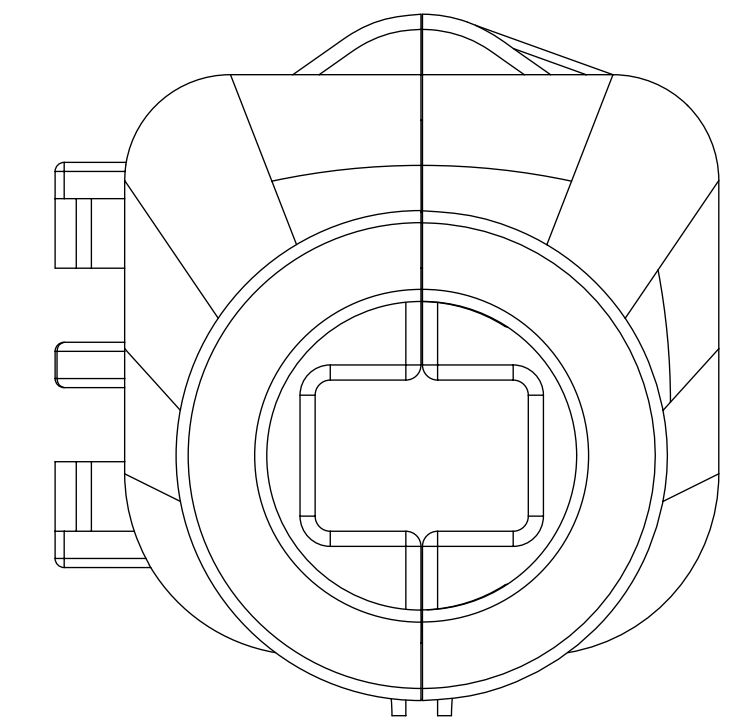
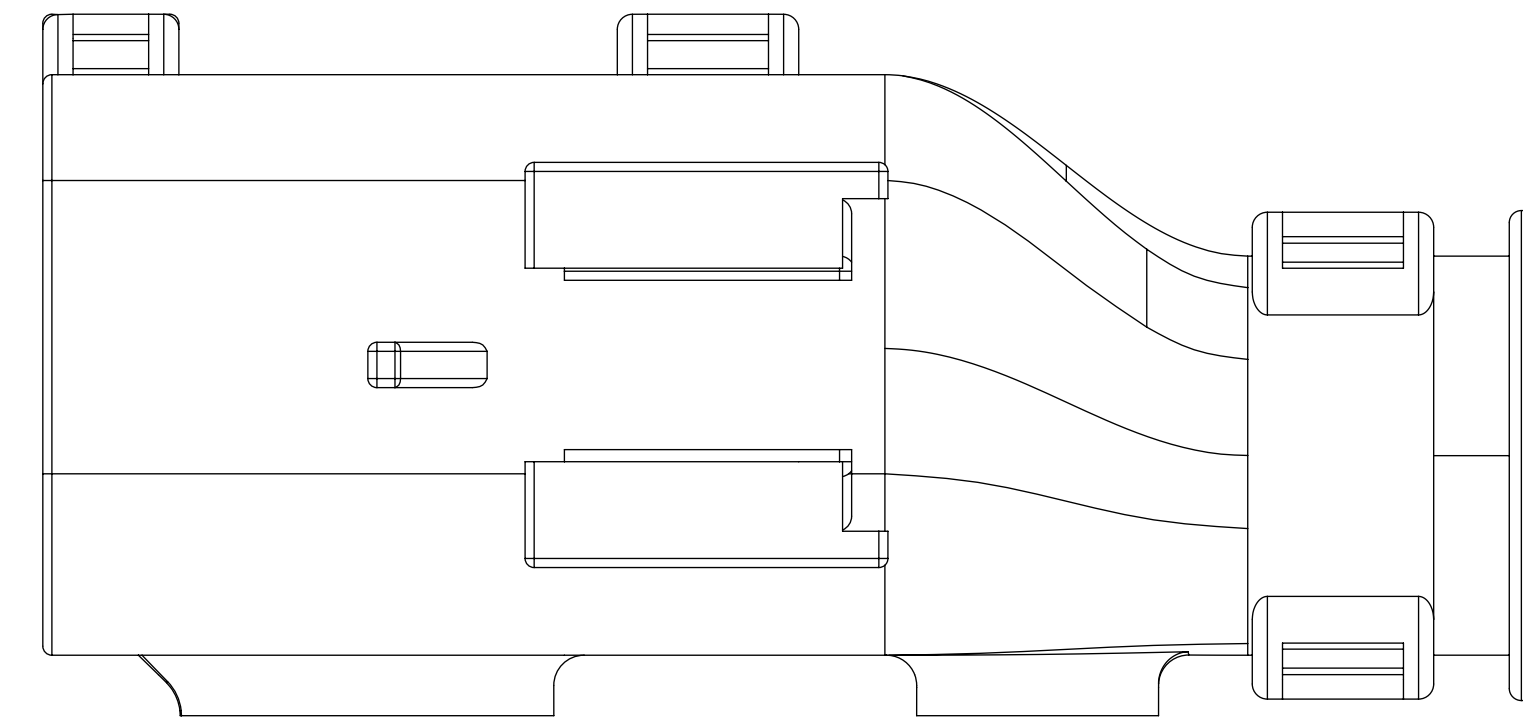
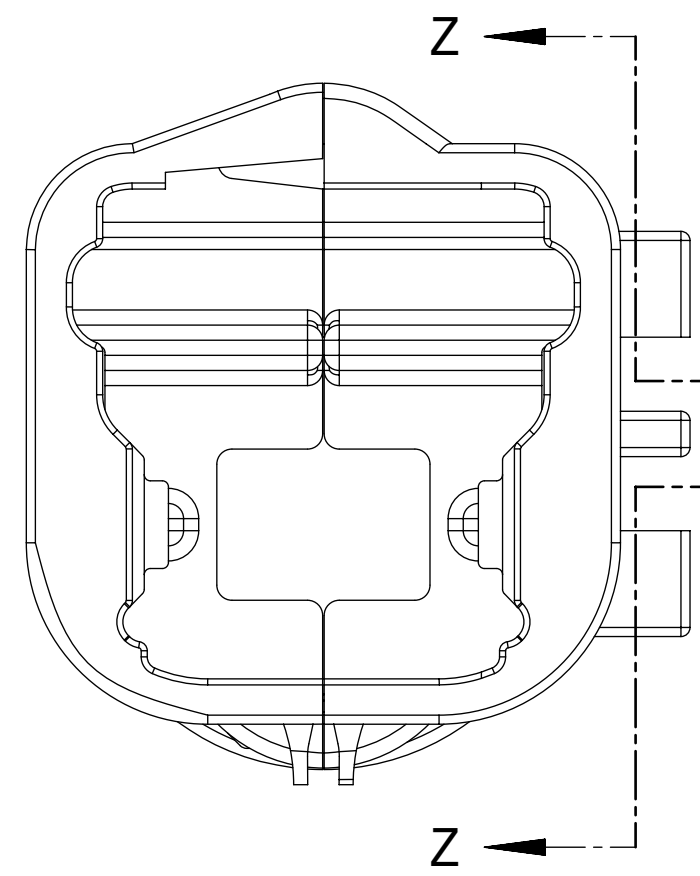
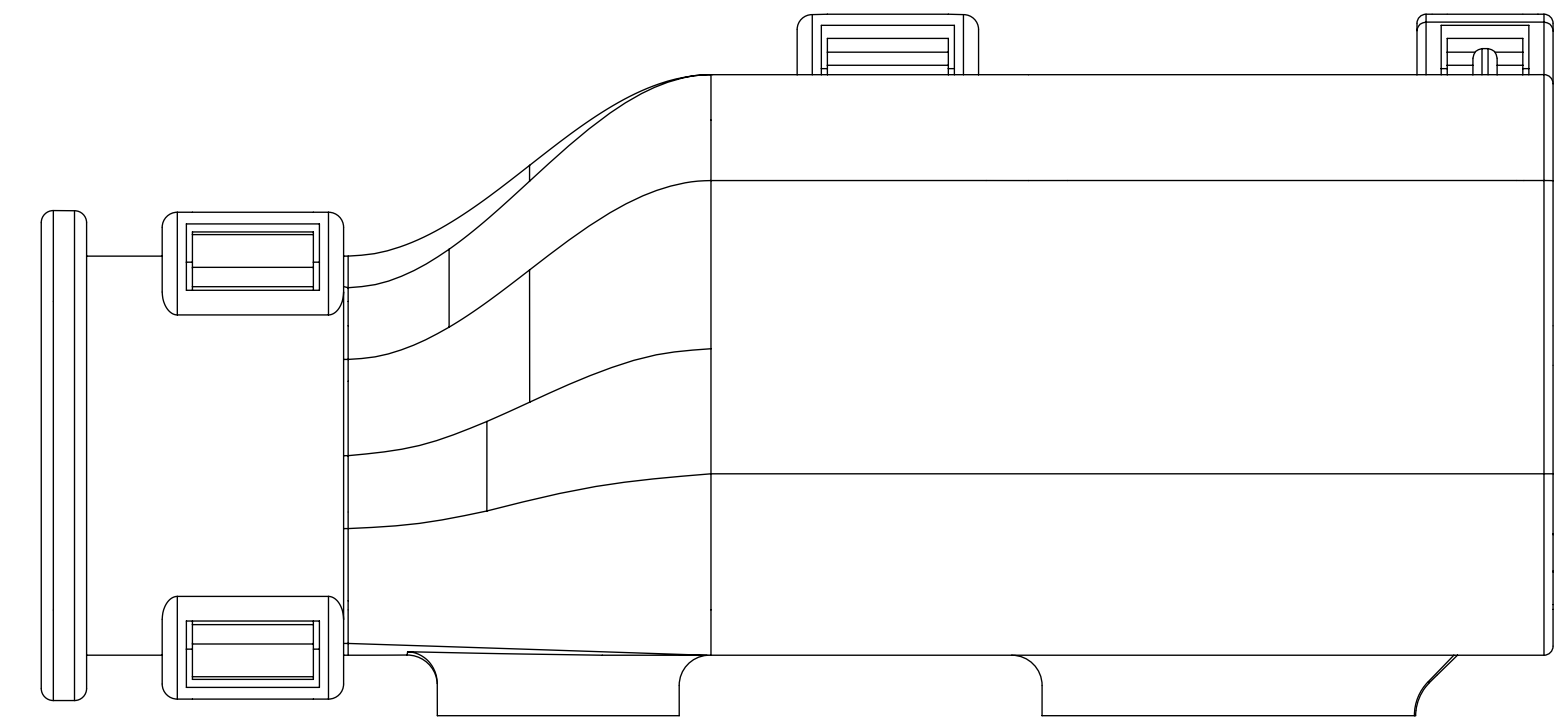
1.GENERAL:

a. APPLICATION SPECIFICATION SEE: AS-34951-001

- DESIGNED TO MATE WITH RECEPTACLE SEALED ASSEMBLY SPECIFIED IN MOLEX DRAWING SD-33471-021.
- SYSTEM TO BE USED WITH WIRE WITHIN DIAMETER RANGE OF 1.2mm TO 2.69mm.
- COMPONENTS ARE OPTIONAL AND MUST BE PURCHASED SEPERATELY.
- BACKSHELL DESIGN IS OWNED BY SChLEMMER.
- FOR ADDITIONAL INFORMATION SEE THE BACKSHELL COMPONENT DRAWING SD-34949-0001.

FUNCTIONAL SYMBOLS	THIS DRAWING CONTAINS INFORMATION THAT IS PROPRIETARY TO MOLEX ELECTRONIC TECHNOLOGIES, LLC AND SHOULD NOT BE USED WITHOUT WRITTEN PERMISSION		
	DIMENSION UNITS	SCALE	CURRENT REV DESC:
$\frac{F}{A} = 0$	mm	4:1	EC NO: 643941 DRWN: XLDONG03 2020/08/21 CHK'D: JDENG02 2020/08/26 APPR: JDENG02 2020/08/26
$\frac{F}{C} = 0$	GENERAL TOLERANCES (UNLESS SPECIFIED)		
$\frac{F}{D} = 0$	ANGULAR TOL	$\pm 3.0^\circ$	INITIAL REVISION: DRWN: SVERZYL 2008/06/17 APPR: VKOSHY 2010/11/04
DIVISIONAL SYMBOLS	4 PLACES	$\pm$	
	3 PLACES	$\pm$	DOCUMENT NUMBER: SD-33471-021 DOC TYPE: PSD DOC PART: 001 REVISION: C12
	2 PLACES	$\pm 0.1$	
	1 PLACE	$\pm 0.2$	MATERIAL NUMBER: SEE BOM CUSTOMER: GENERAL MARKET SHEET NUMBER: 4 OF 7
	0 PLACES	$\pm$	
DRAFT WHERE APPLICABLE MUST REMAIN WITHIN DIMENSIONS		THIRD ANGLE PROJECTION	DRAWING: D-SIZE
			SERIES: 33471

BACKSHELL  
 THE VIEWS ON THIS SHEET ARE  
 IN THE CLOSED UN-ASSEMBLED POSITION

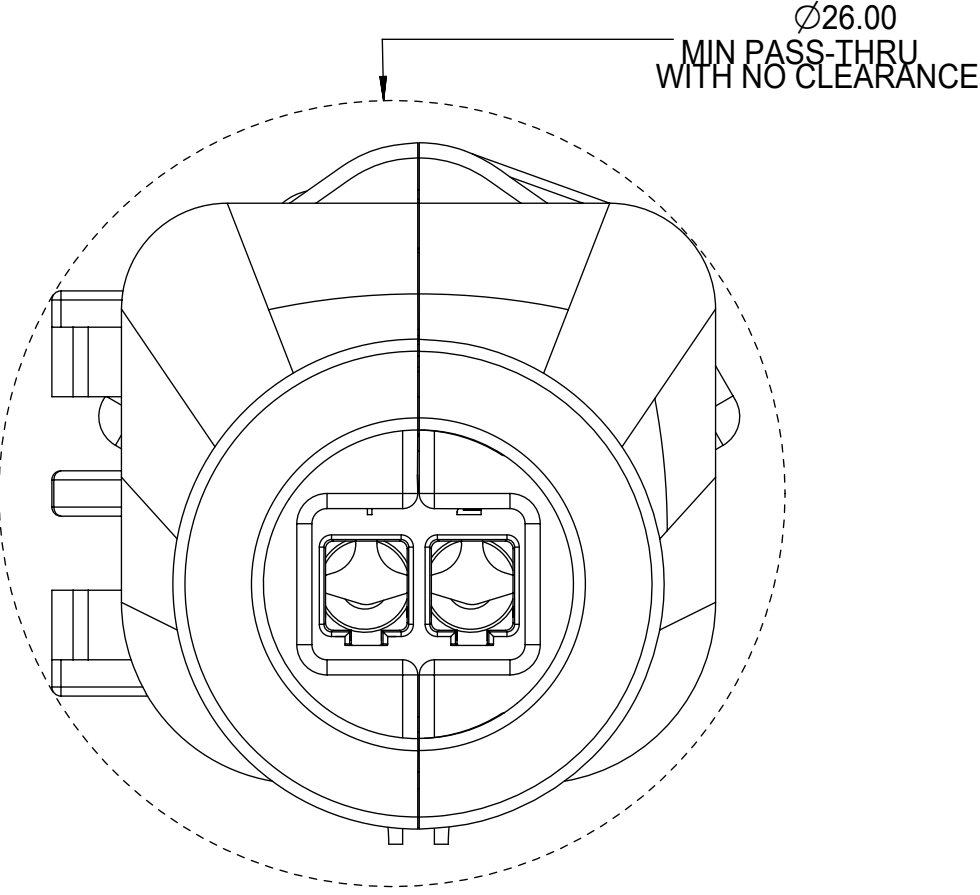
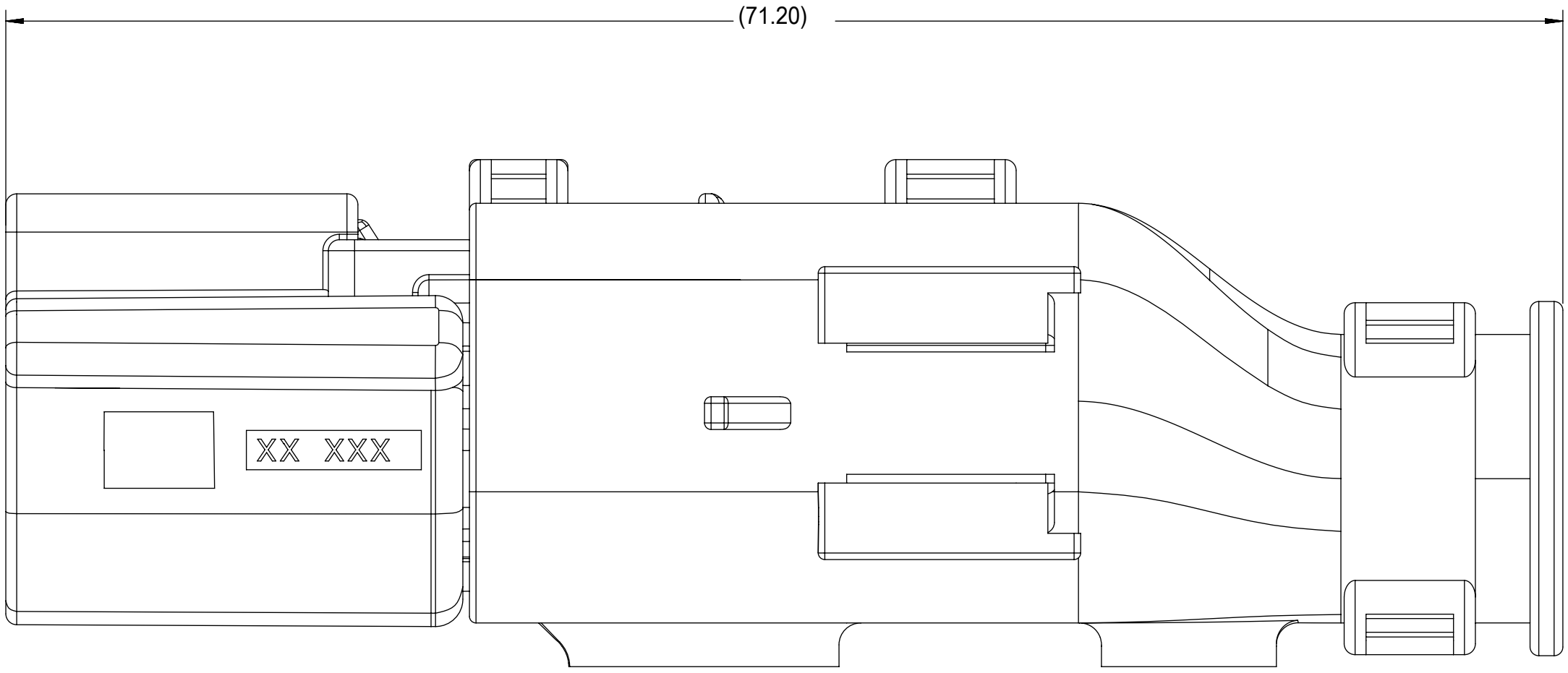


Partial Z-Z  
 SCALE 4:1

<b>FUNCTIONAL SYMBOLS</b> $F_A = 0$ $F_C = 0$ $F_D = 0$ <b>DIVISIONAL SYMBOLS</b>	THIS DRAWING CONTAINS INFORMATION THAT IS PROPRIETARY TO MOLEX ELECTRONIC TECHNOLOGIES, LLC AND SHOULD NOT BE USED WITHOUT WRITTEN PERMISSION		<b>CURRENT REV DESC:</b>				
	<b>DIMENSION UNITS</b> mm	<b>SCALE</b> 4:1	EC NO: 643941 DRWN: XLDONG03 2020/08/21 CHK'D: JDENG02 2020/08/26 APPR: JDENG02 2020/08/26			<b>MX150 1X2 RECEPTACLE SEALED ASSEMBLY MAT SEAL</b>	
	<b>GENERAL TOLERANCES (UNLESS SPECIFIED)</b> ANGULAR TOL $\pm 3.0^\circ$		<b>INITIAL REVISION:</b> DRWN: SVERZYL 2008/06/17 APPR: VKOSHY 2010/11/04				<b>PRODUCT CUSTOMER DRAWING</b>
	4 PLACES $\pm$ 3 PLACES $\pm$ 2 PLACES $\pm 0.1$ 1 PLACE $\pm 0.2$ 0 PLACES $\pm$	DRAFT WHERE APPLICABLE MUST REMAIN WITHIN DIMENSIONS		THIRD ANGLE PROJECTION		DRAWING <b>D-SIZE</b>	SERIES <b>33471</b>
	DOCUMENT NUMBER <b>SD-33471-021</b>		DOC TYPE PSD	DOC PART 001		REVISION <b>C12</b>	MATERIAL NUMBER SEE BOM
CUSTOMER GENERAL MARKET		SHEET NUMBER 5 OF 7					



BACKSHELL CONFIGURATIONS



RECEPTACLE SEALED ASSEMBLY WITH RECEPTACLE BACKSHELL

<b>FUNCTIONAL SYMBOLS</b> FA = 0 FC = 0 FP = 0 <b>DIVISIONAL SYMBOLS</b>	THIS DRAWING CONTAINS INFORMATION THAT IS PROPRIETARY TO MOLEX ELECTRONIC TECHNOLOGIES, LLC AND SHOULD NOT BE USED WITHOUT WRITTEN PERMISSION		DIMENSION UNITS: <b>mm</b> SCALE: <b>4:1</b>		CURRENT REV DESC:						
	GENERAL TOLERANCES (UNLESS SPECIFIED) ANGULAR TOL ± 3.0°		EC NO: 643941 DRWN: XLDONG03 2020/08/21 CHK'D: JDENG02 2020/08/26 APPR: JDENG02 2020/08/26		INITIAL REVISION: DRWN: SVERZYL 2008/06/17 APPR: VKOSHY 2010/11/04						DOCUMENT NUMBER: <b>SD-33471-021</b> DOC TYPE: PSD DOC PART: 001 REVISION: C12
DRAFT WHERE APPLICABLE MUST REMAIN WITHIN DIMENSIONS		THIRD ANGLE PROJECTION		DRAWING: <b>D-SIZE</b>		SERIES: <b>33471</b>		MATERIAL NUMBER: <b>SEE BOM</b> CUSTOMER: <b>GENERAL MARKET</b>		SHEET NUMBER: <b>6 OF 7</b>	



C11	KEY A W/CPA, BLACK	33471-0224	A					GCP	CPA		2	SALEABLE		34949-0210	34949-0220	
	KEY A W/CPA, YELLOW	33471-0223				A	GCO		CPA			SALEABLE		34949-0210	34949-0220	
	KEY A, BLACK	33471-0222	A					GCP			2	SALEABLE		34949-0210	34949-0220	
	KEY A, BLACK	33471-0221	A					GCP		1	2	SALEABLE		34949-0210	34949-0220	
	KEY D W/CPA, STONE GRAY	33471-0217				D		GCP	CPA	1		SALEABLE		34949-0210	34949-0220	
	KEY C W/CPA, DARK GRAY	33471-0216				C		GCP	CPA	1		SALEABLE		34949-0210	34949-0220	
	KEY B W/CPA, LIGHT GRAY	33471-0215				B		GCP	CPA	1		SALEABLE		34949-0210	34949-0220	
	KEY A W/CPA, BLACK	33471-0214	A					GCP	CPA	1		SALEABLE		34949-0210	34949-0220	
	KEY D, STONE GRAY	33471-0213				D		GCP		1		SALEABLE		34949-0210	34949-0220	
	KEY C, DARK GRAY	33471-0212				C		GCP		1		SALEABLE		34949-0210	34949-0220	
	KEY B, LIGHT GRAY	33471-0211				B		GCP		1		SALEABLE		34949-0210	34949-0220	
	KEY A, BLACK	33471-0210	A					GCP		1		SALEABLE		34949-0210	34949-0220	
	KEY D W/CPA, STONE GRAY	33471-0209				D	GCO		CPA			SALEABLE		34949-0210	34949-0220	
	KEY C W/CPA, DARK GRAY	33471-0208				C	GCO		CPA			SALEABLE		34949-0210	34949-0220	
	KEY B W/CPA, LIGHT GRAY	33471-0207				B	GCO		CPA			SALEABLE		34949-0210	34949-0220	
	KEY A W/CPA, BLACK	33471-0206	A				GCO		CPA			SALEABLE		34949-0210	34949-0220	
	KEY D, STONE GRAY	33471-0204				D	GCO					SALEABLE		34949-0210	34949-0220	
	KEY C, DARK GRAY	33471-0203				C	GCO					SALEABLE		34949-0210	34949-0220	
	KEY B, LIGHT GRAY	33471-0202				B	GCO					SALEABLE		34949-0210	34949-0220	
	KEY A, BLACK	33471-0201	A				GCO					SALEABLE		34949-0210	34949-0220	
	ASSEMBLY DESCRIPTION	ASSEMBLY PART NUMBER	A	B	C	D	A	GCO	GCP	CPA	1	2	STATUS	COMMENTS	BACKSHELL WITH RIBS	BACKSHELL WITHOUT RIBS

CAVITY WITH A NUMBER INDICATES BLOCKED TERMINAL POSITION  
 CAVITY WITHOUT A NUMBER INDICATES OPEN TERMINAL POSITION

OPTIONAL ATTATCHMENTS  
 SOLD SEPERATLEY

MAT SEAL	ROYAL BLUE	INHERENTLY LUBRICATED SILICONE
RING SEAL	LIGHT BLUE	INHERENTLY LUBRICATED SILICONE
PLR	NATURAL	SPS/NYLON GF20
CPA	RED	PBT GF20
GROMMET CAP (PLUGGED)	BLACK	SPS/NYLON GF20
GROMMET CAP (OPEN)	BLACK	SPS/NYLON GF20
HOUSING KEYING OPTION A	YELLOW	SPS/NYLON GF20
HOUSING KEYING OPTION D	STONE GRAY	SPS/NYLON GF20
HOUSING KEYING OPTION C	DARK GRAY	SPS/NYLON GF20
HOUSING KEYING OPTION B	LIGHT GRAY	SPS/NYLON GF20
HOUSING KEYING OPTION A	BLACK	SPS/NYLON GF20

DESCRIPTION	COLOR	MATERIAL
BOM/APPLICABLE COMPONENTS TABLE		

ABREVIATION	COMPONENT
A	HOUSING KEY A
B	HOUSING KEY B
C	HOUSING KEY C
D	HOUSING KEY D
GCO	GROMMET CAP, OPEN
GCP	GROMMET CAP, CLOSED
M	MAT SEAL
R	RING SEAL
P	PLR, STANDARD
CPA	CPA
BKS	BACKSHELL


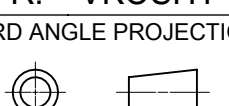
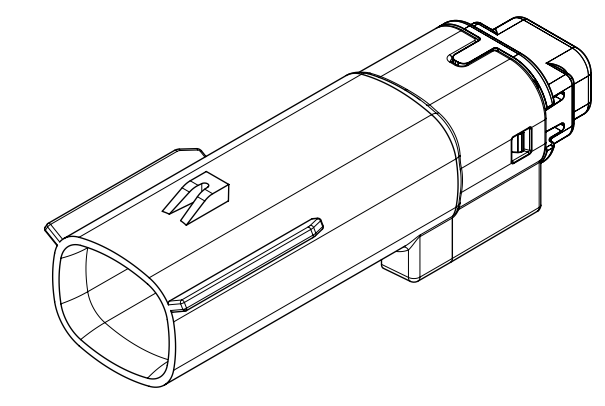
FUNCTIONAL SYMBOLS $F_A = 0$ $F_C = 0$ $F_P = 0$	THIS DRAWING CONTAINS INFORMATION THAT IS PROPRIETARY TO MOLEX ELECTRONIC TECHNOLOGIES, LLC AND SHOULD NOT BE USED WITHOUT WRITTEN PERMISSION	DIMENSION UNITS: <b>mm</b> SCALE:	CURRENT REV DESC:	  MX150 1X2 RECEPTACLE SEALED ASSEMBLY MAT SEAL  PRODUCT CUSTOMER DRAWING	
	GENERAL TOLERANCES (UNLESS SPECIFIED) ANGULAR TOL $\pm 3.0^\circ$	EC NO: 643941 DRWN: XLDONG03 2020/08/21 CHK'D: JDENG02 2020/08/26 APPR: JDENG02 2020/08/26	INITIAL REVISION: DRWN: SVERZYL 2008/06/17 APPR: VKOSHY 2010/11/04		DOCUMENT NUMBER: <b>SD-33471-021</b> DOC TYPE: PSD DOC PART: 001 REVISION: C12
	DIVISIONAL SYMBOLS 4 PLACES $\pm$ 3 PLACES $\pm$ 2 PLACES $\pm 0.1$ 1 PLACE $\pm 0.2$ 0 PLACES $\pm$	DRAFT WHERE APPLICABLE MUST REMAIN WITHIN DIMENSIONS	THIRD ANGLE PROJECTION 		DRAWING: <b>D-SIZE</b> SERIES: <b>33471</b> MATERIAL NUMBER: SEE BOM CUSTOMER: GENERAL MARKET SHEET NUMBER: 7 OF 7
	DOCUMENT STATUS: P1 RELEASE DATE: 2020/08/26 07:23:54				

TABLE OF CONTENTS	
SHEET NO.	SHEET DESCRIPTION
1	NOTES AND BOM
2	CONFIGURATIONS
3-4	KEY CONFIGURATIONS
5	BLADE SEALED ASSEMBLY
6	SYSTEM PACKAGING
7	BACKSHELL NOTES
8	BACKSHELL
9	BACKSHELL CONFIGURATIONS

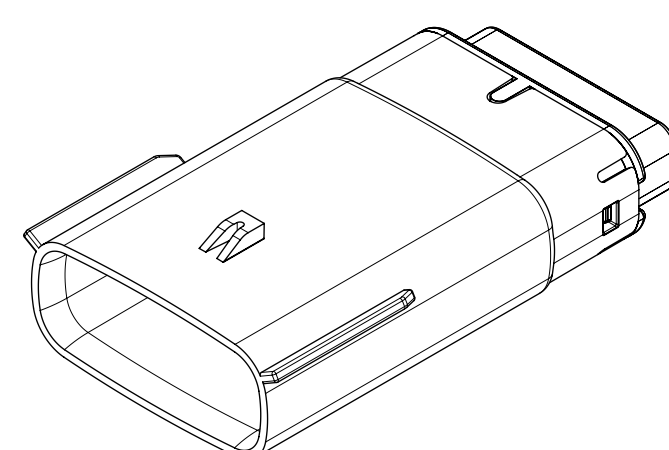
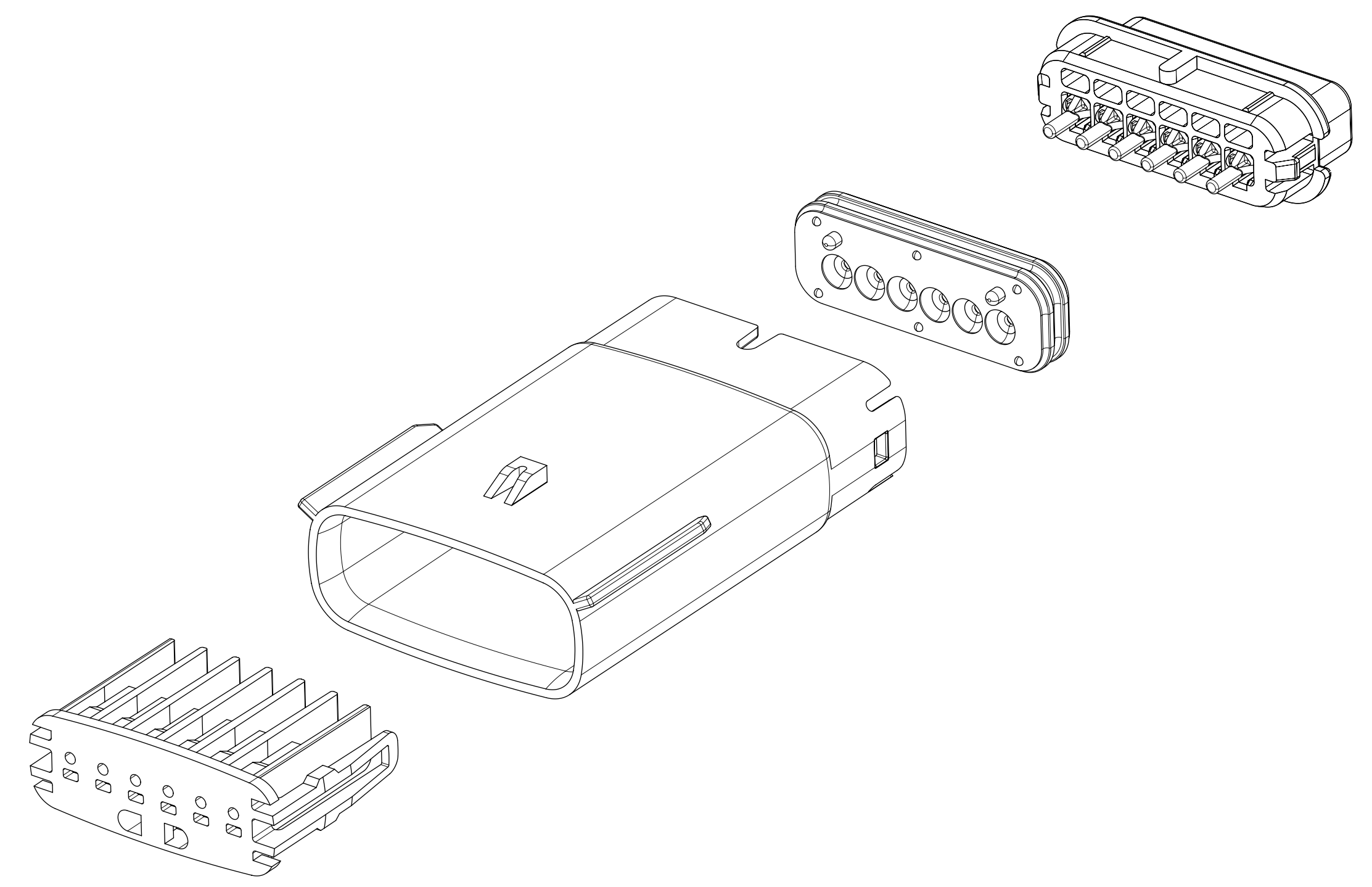
NOTES: VALID UNLESS OTHERWISE SPECIFIED

1. GENERAL:
- a. APPLICATION SPECIFICATION SEE: AS-33472-100
- CONTAINS: PRODUCT INTRODUCTION, PRODUCT SUMMARY, CONNECTOR ASSEMBLY, PACKAGING INFORMATION, CONNECTOR MATING, SERVICE INSTRUCTIONS, ELECTRICAL CONTINUITY CHECKING, CRIMPING, AND TROUBLESHOOTING.
  - DESIGNED TO MATE WITH RECEPTACLE SEALED ASSEMBLY AS SPECIFIED IN THE MATING CONNECTOR DRAWINGS CHART.
  - \*DENOTES DRAWINGS THAT CAN BE ACCESSED AT <http://ewcap.uscarteams.org/>
  - ASSEMBLY SHIPPED WITH PLR IN PRE-LOCK POSITION (SEE PLR PRE-LOCK VIEW SHEET 5).
- b. PRODUCT SPECIFICATION SEE:
- STANDARD CONFIGURATION: PS-33471-000
  - UL V0 CONFIGURATION: PS-160105-0001
  - CONTAINS: PRODUCT INTRODUCTION, PRODUCT SUMMARY, RATINGS (CURRENT, TEMPERATURE, SEALING, AND FLAMMABILITY), TERMINALS, WIRE DIAMETER RANGE, PRODUCT VALIDATION, AND PRODUCT DEVIATIONS.
- c. PACKAGING SPECIFICATION PER MOLEX DRAWING: PK-31300-635 (PK-33471-000 FOR 1X5)
- d. PARTS MUST BE IN COMPLIANCE TO MOLEX CHEMICAL SUBSTANCES FOR PRODUCTS AND PACKAGING SPECIFICATION: QEHS-699000-300
- e. DATA MUST BE SUBMITTED UNDER THE MOLEX PART NUMBER TO IMDS (COMPANY ID#13255)
2. DESIGN - MATERIALS:
- a. FOR BILL OF MATERIALS SEE:
- STANDARD CONFIGURATION: SD-33481-0002
  - UL V0 CONFIGURATION: SD-160106-0002
3. DESIGN - GEOMETRY:
- a. THE 3-D CAD DATA IS BASIC (WITHOUT TOLERANCE) AND MASTER FOR THIS PART WITH THE EXCEPTION OF UNDERLINED DIMENSIONS. DIMENSIONAL INFORMATION NOT SHOWN ON THIS DRAWING IS DEFINED BY THE DATA FILE AT ITS LATEST REVISION.
- b. GEOMETRIC DIMENSIONS AND TOLERANCES PER ASME Y14.5M-2009
- c. EDGES AND UNDIMENSIONED DETAILS PER ISO13715
- d. CORNERS SHOWN AS SHARP TO BE R 0.2 MAX.
- e. LETTERING SHALL BE 0.15 MAX RAISED IN 0.25 MAX RECESS PAD. THIS INCLUDES RECYCLING CODE, CAVITY ID, VENDOR IDENTIFICATION, AND CUSTOMER MATERIAL NUMBER.
- f. VISUAL DEFECTS SHALL MEET COSMETIC STANDARD PS-45499-002 (Class B).
- g. LASER MARKING:
1. PART NUMBER
  2. DAY OF THE YEAR
  3. SHIFT
  4. YEAR
- FOR ADDITIONAL INFORMATION SEE SECTION 5 UNDER PROCEDURES IN ES-34735-008.

MATING CONNECTOR DRAWINGS	
DESCRIPTION	MOLEX INLINE
1X2	SD-33471-0001
1X6	SD-33471-0001



1X2

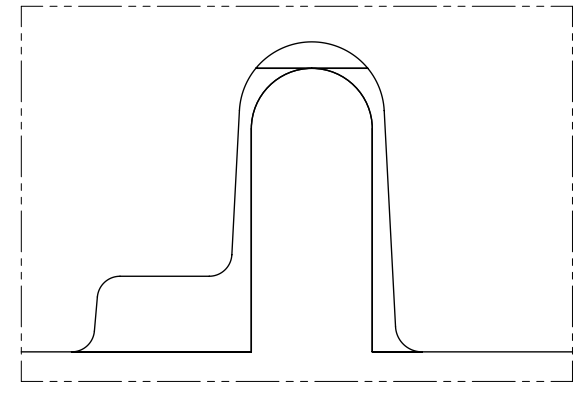


1X6

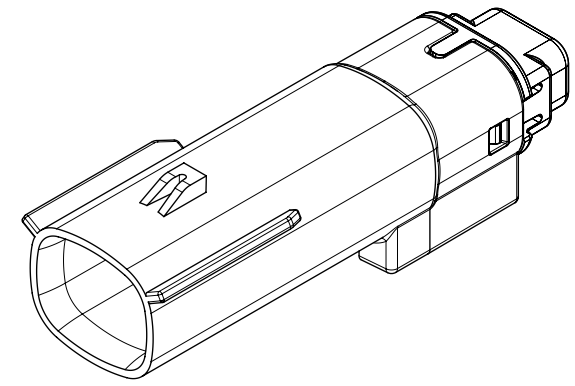
INSPECTION NUMBER LOG	
LAST NUMBER: 9	ADDED:
REMOVED:	REV
A1	NX REMASTERING , CHANGE PS DRAWING NUMBER FROM PS-160105-0001 TO PS-160074-0001 IN NOTES 1.b
A	MINOR GEOMETRY CHANGE FOR UL V0
2	UPDATED VIEWSETS
1	INITIAL RELEASE
REV	REV DESCRIPTION

<b>SYMBOLS</b> = 0 = 0 = 0 = 0 = 0 = 0 = 0 = 0 = 0	THIS DRAWING CONTAINS INFORMATION THAT IS PROPRIETARY TO MOLEX ELECTRONIC TECHNOLOGIES, LLC AND SHOULD NOT BE USED WITHOUT WRITTEN PERMISSION DIMENSION UNITS: <b>MM ONLY</b> SCALE: <b>1.5:1</b>	CURRENT REV DESC: EC NO: 602373 DRWN: DSHETTY01 2018/05/25 CHK'D: MVANSLAMBROU 2018/10/04 APPR: MVANSLAMBROU 2018/10/04 INITIAL REVISION: DRWN: APROFFITT 2015/07/21 APPR: KDEKOSKI 2016/06/14			
	GENERAL TOLERANCES (UNLESS SPECIFIED) ANGULAR TOL ± 1.0° 4 PLACES ± 3 PLACES ± 2 PLACES ± 0.1 1 PLACE ± 0.2 0 PLACES ±	MX150 BLADE SINGLE ROW SEALED ASSY MAT SEAL	PRODUCT CUSTOMER DRAWING		
	DRAFT WHERE APPLICABLE MUST REMAIN WITHIN DIMENSIONS	THIRD ANGLE PROJECTION	DRAWING: <b>A1-SIZE</b> SERIES: <b>33481</b>	MATERIAL NUMBER: SEE NOTE 2a. CUSTOMER: GENERAL MARKET	SHEET NUMBER: 1 OF 9
	DOCUMENT STATUS: P1 RELEASE DATE: 2018/10/04 15:02:02	DOCUMENT NUMBER: <b>SD-33481-0001</b> DOC TYPE: PSD DOC PART: 001 REVISION: <b>A1</b>			

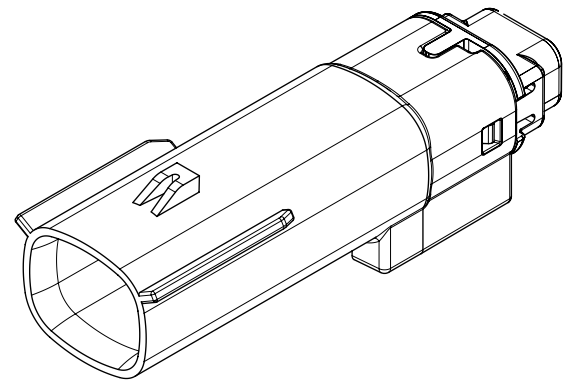
**SHEET DESCRIPTION**  
CONFIGURATIONS



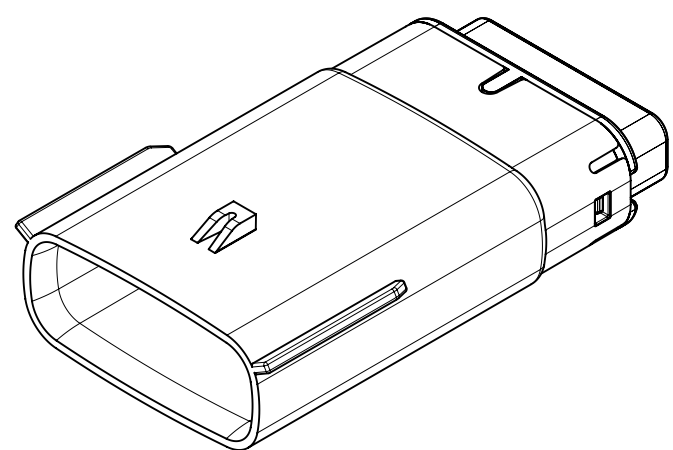
UL V0 UNIQUE FEATURE  
Partial1  
SCALE 10:1



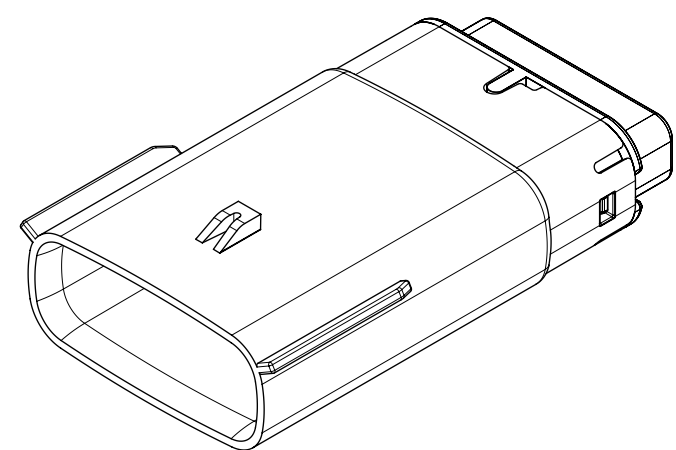
1x2 - STD



1X2 - UL V0\*



1x6 - STD

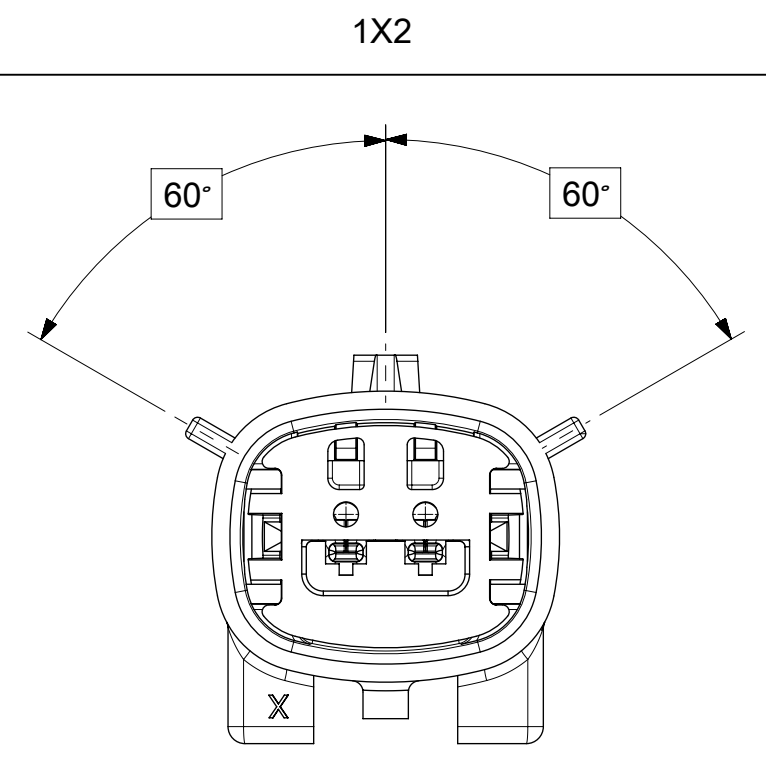


1x6 - UL V0\*

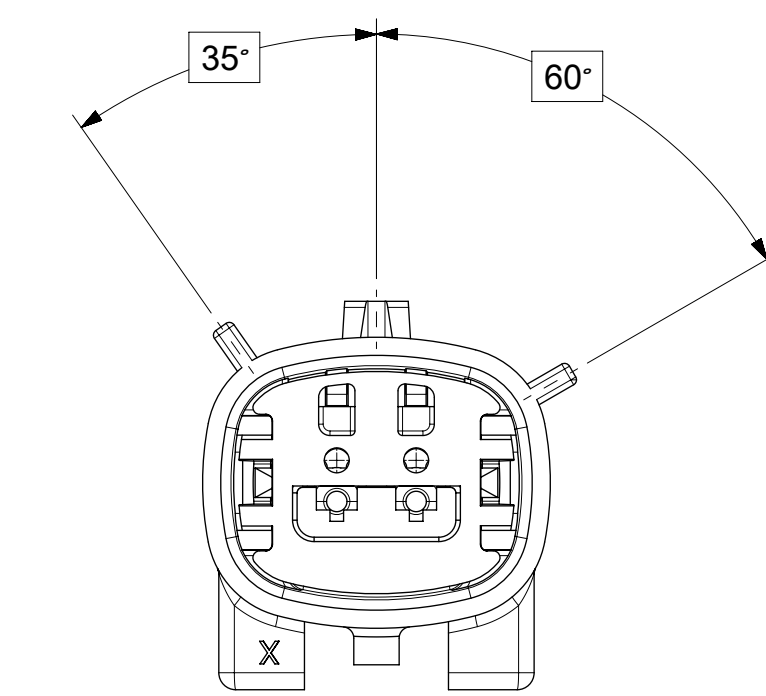
\* MINOR GEOMETRY DIFFERENCE THAN STANDARD CONFIGURATION.  
SEE NOTES 1 & 2 FOR MORE INFORMATION

SYMBOLS	THIS DRAWING CONTAINS INFORMATION THAT IS PROPRIETARY TO MOLEX ELECTRONIC TECHNOLOGIES, LLC AND SHOULD NOT BE USED WITHOUT WRITTEN PERMISSION		CURRENT REV DESC:				
	DIMENSION UNITS	SCALE					
▽ = 0	MM ONLY	1.5:1	GENERAL TOLERANCES (UNLESS SPECIFIED)		CHK'D: MVANSLAMBROU	2018/10/04	PRODUCT CUSTOMER DRAWING
▽ = 0	ANGULAR TOL ± 1.0°		APPR: MVANSLAMBROU		2018/10/04	DOCUMENT NUMBER	
▽ = 0	4 PLACES	±	INITIAL REVISION:		DRWN: APROFFITT	2015/07/21	SD-33481-0001
▽ = 0	3 PLACES	±	APPR: KDEKOSKI		2016/06/14	DOC TYPE	
▽ = 0	2 PLACES	± 0.1	DRAFT WHERE APPLICABLE MUST REMAIN WITHIN DIMENSIONS		THIRD ANGLE PROJECTION	DRAWING	PSD
▽ = 0	1 PLACE	± 0.2	THIRD ANGLE PROJECTION		DRAWING	SERIES	
▽ = 0	0 PLACES	±	THIRD ANGLE PROJECTION		DRAWING	SERIES	A1
▽ = 0	DRAFT WHERE APPLICABLE MUST REMAIN WITHIN DIMENSIONS		THIRD ANGLE PROJECTION		DRAWING	SERIES	
▽ = 0	DRAFT WHERE APPLICABLE MUST REMAIN WITHIN DIMENSIONS		THIRD ANGLE PROJECTION		DRAWING	SERIES	MATERIAL NUMBER
			THIRD ANGLE PROJECTION		DRAWING	SERIES	CUSTOMER
			THIRD ANGLE PROJECTION		DRAWING	SERIES	SHEET NUMBER
			THIRD ANGLE PROJECTION		DRAWING	SERIES	2 OF 9

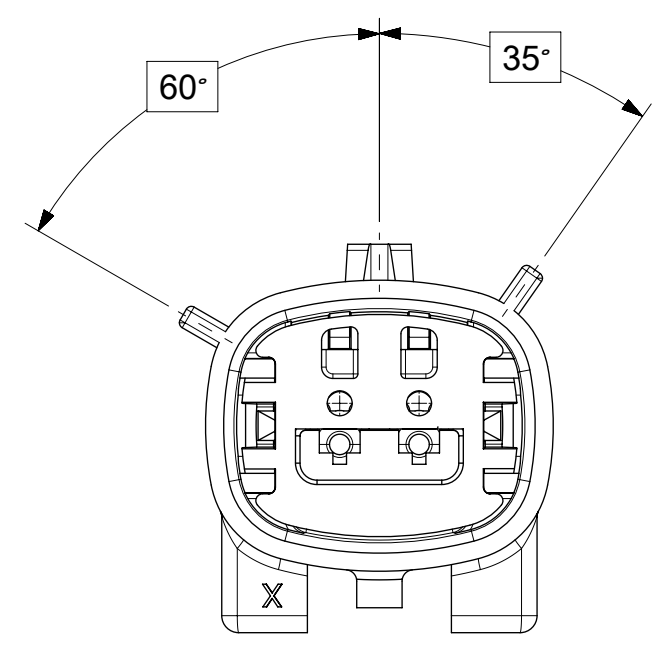
**SHEET DESCRIPTION**  
KEY CONFIGURATIONS



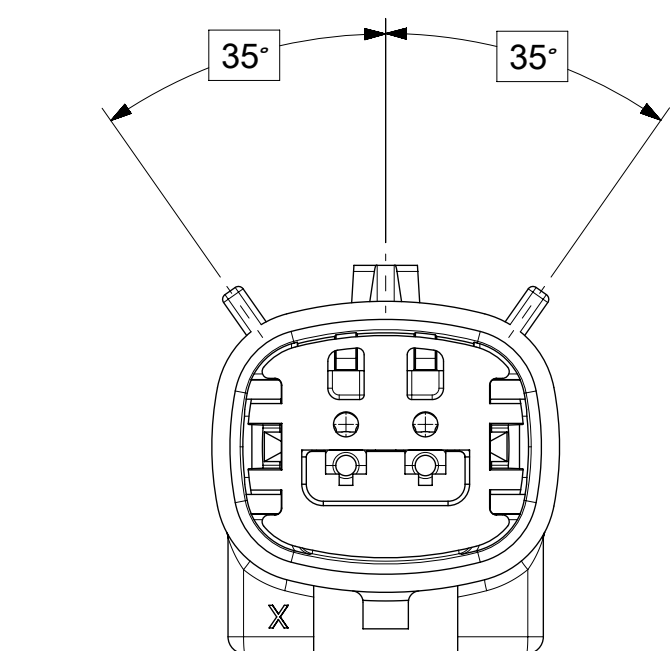
KEY A



KEY B



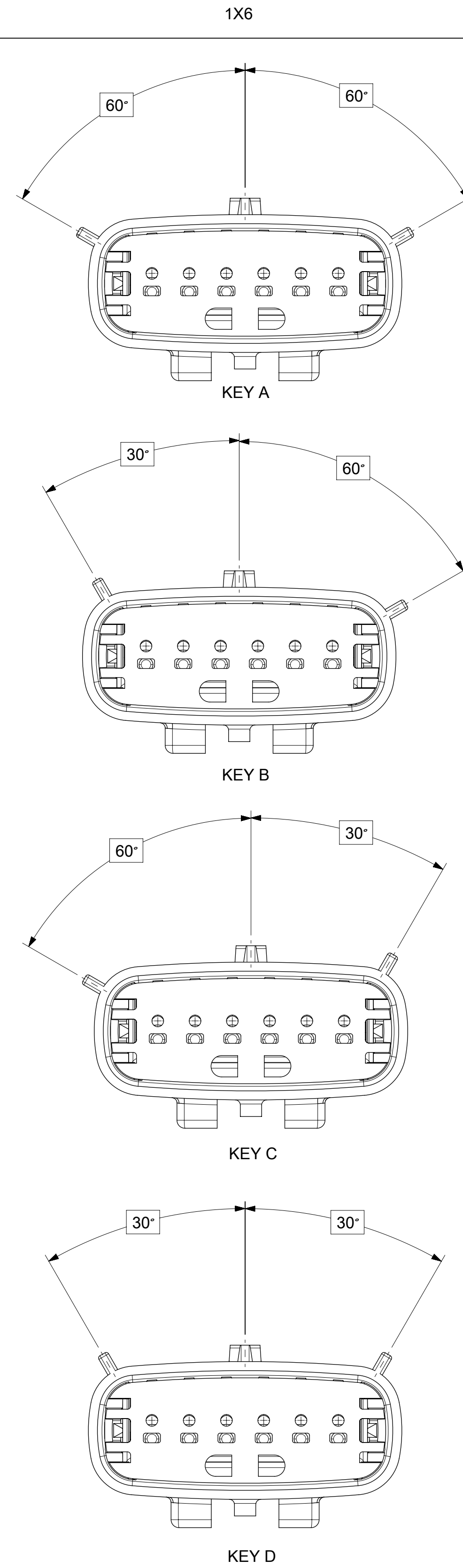
KEY C



KEY D

<b>SYMBOLS</b> = 0 	THIS DRAWING CONTAINS INFORMATION THAT IS PROPRIETARY TO MOLEX ELECTRONIC TECHNOLOGIES, LLC AND SHOULD NOT BE USED WITHOUT WRITTEN PERMISSION DIMENSION UNITS: <b>MM ONLY</b> SCALE: <b>3:1</b> GENERAL TOLERANCES (UNLESS SPECIFIED) ANGULAR TOL ± 1.0° 4 PLACES ± 3 PLACES ± 2 PLACES ± 0.1 1 PLACE ± 0.2 0 PLACES ± DRAFT WHERE APPLICABLE MUST REMAIN WITHIN DIMENSIONS	CURRENT REV DESC:  EC NO: 602373 DRWN: DSHETTY01 2018/05/25 CHK'D: MVANSLAMBROU 2018/10/04 APPR: MVANSLAMBROU 2018/10/04  INITIAL REVISION: DRWN: APROFFITT 2015/07/21 APPR: KDEKOSKI 2016/06/14	  MX150 BLADE SINGLE ROW SEALED ASSY MAT SEAL  PRODUCT CUSTOMER DRAWING DOCUMENT NUMBER: <b>SD-33481-0001</b> DOC TYPE: PSD DOC PART: 001 REVISION: <b>A1</b> MATERIAL NUMBER: SEE NOTE 2a. CUSTOMER: GENERAL MARKET SHEET NUMBER: 3 OF 9
--	--	---	---

**SHEET DESCRIPTION**  
KEY CONFIGURATIONS CONT.



<b>SYMBOLS</b> = 0 = 0 = 0 = 0 = 0 = 0 = 0 = 0 = 0	THIS DRAWING CONTAINS INFORMATION THAT IS PROPRIETARY TO MOLEX ELECTRONIC TECHNOLOGIES, LLC AND SHOULD NOT BE USED WITHOUT WRITTEN PERMISSION DIMENSION UNITS: <b>MM ONLY</b> SCALE: <b>3:1</b>	CURRENT REV DESC: EC NO: 602373 DRWN: DSHETTY01 2018/05/25 CHK'D: MVANSLAMBROU 2018/10/04 APPR: MVANSLAMBROU 2018/10/04	 MX150 BLADE SINGLE ROW SEALED ASSY MAT SEAL		
	GENERAL TOLERANCES (UNLESS SPECIFIED) ANGULAR TOL ± 1.0° 4 PLACES ± 3 PLACES ± 2 PLACES ± 0.1 1 PLACE ± 0.2 0 PLACES ±	INITIAL REVISION: DRWN: APROFFITT 2015/07/21 APPR: KDEKOSKI 2016/06/14			
DRAFT WHERE APPLICABLE MUST REMAIN WITHIN DIMENSIONS	THIRD ANGLE PROJECTION 	DRAWING: <b>A1-SIZE</b> SERIES: <b>33481</b>	MATERIAL NUMBER: SEE NOTE 2a. CUSTOMER: GENERAL MARKET	SHEET NUMBER: <b>4 OF 9</b>	

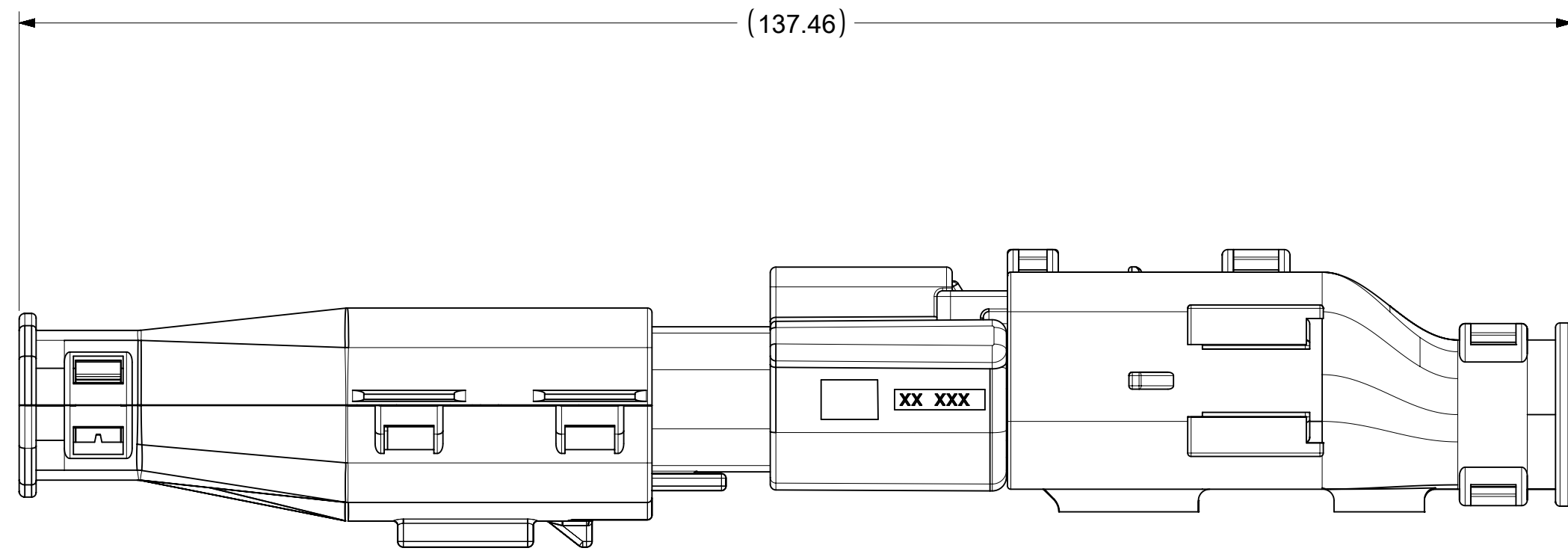




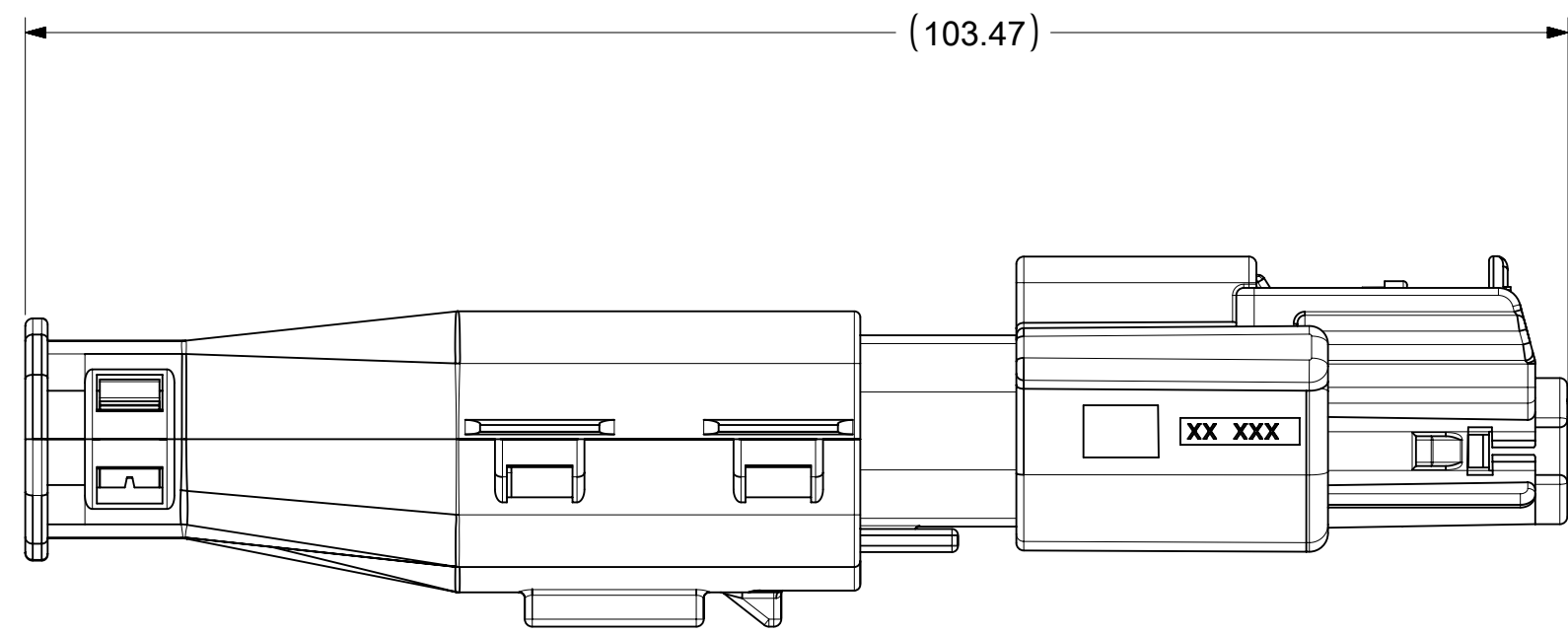
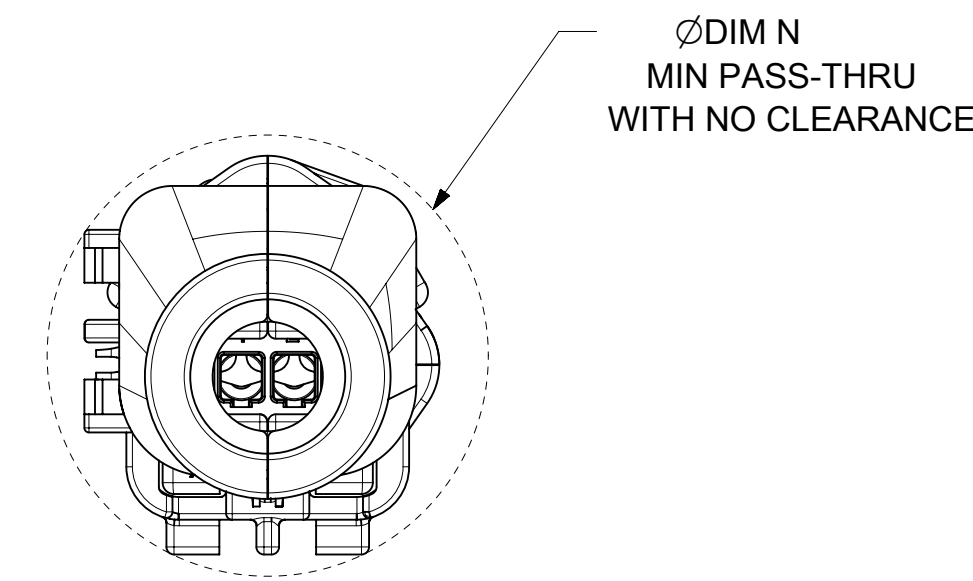


**SHEET DESCRIPTION**  
BACKSHELL CONFIGURATIONS

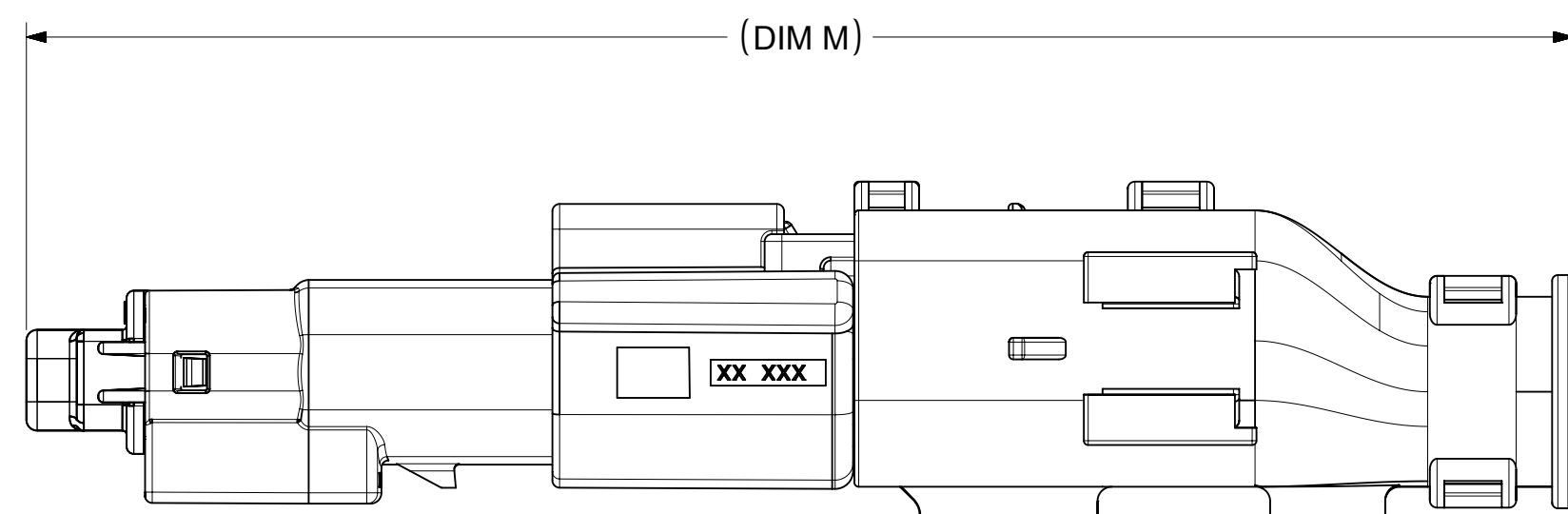
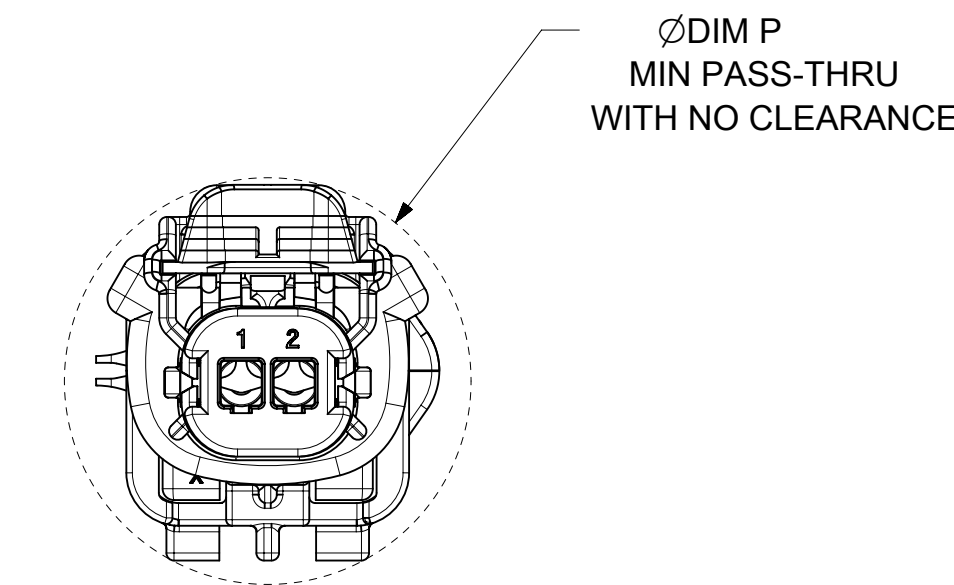
CKT	BLADE CONFIGURATION	RECEPTACLE CONFIGURATION	DIMENSIONS				
			M	N	P	R	S
1X2	STANDARD	STANDARD	107.84	29.50	27.00	26.25	25.00



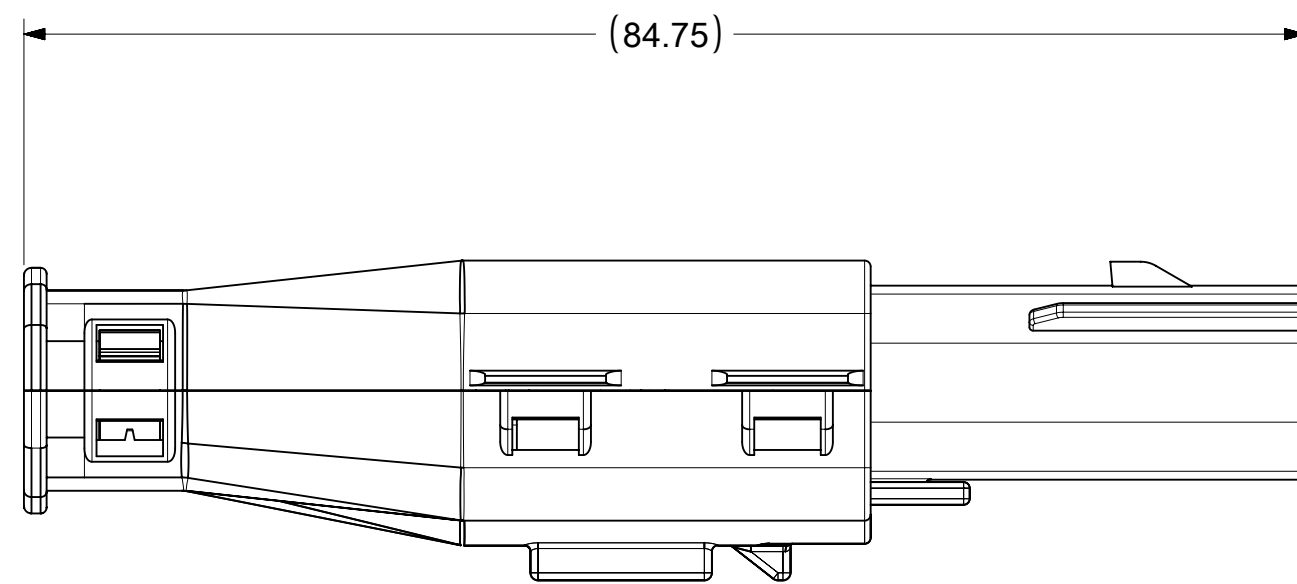
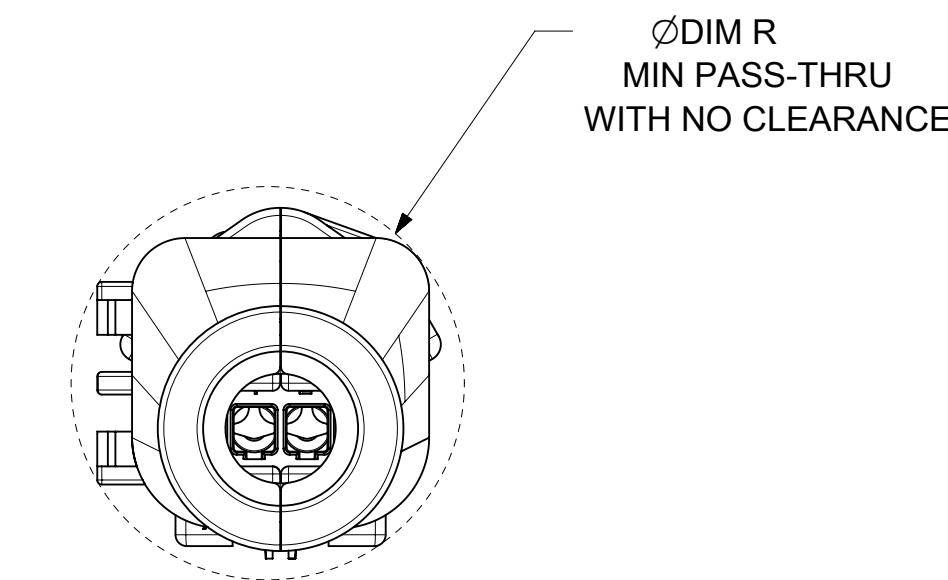
OVERALL MATED SYSTEM WITH BLADE AND RECEPTACLE BACKSHELL



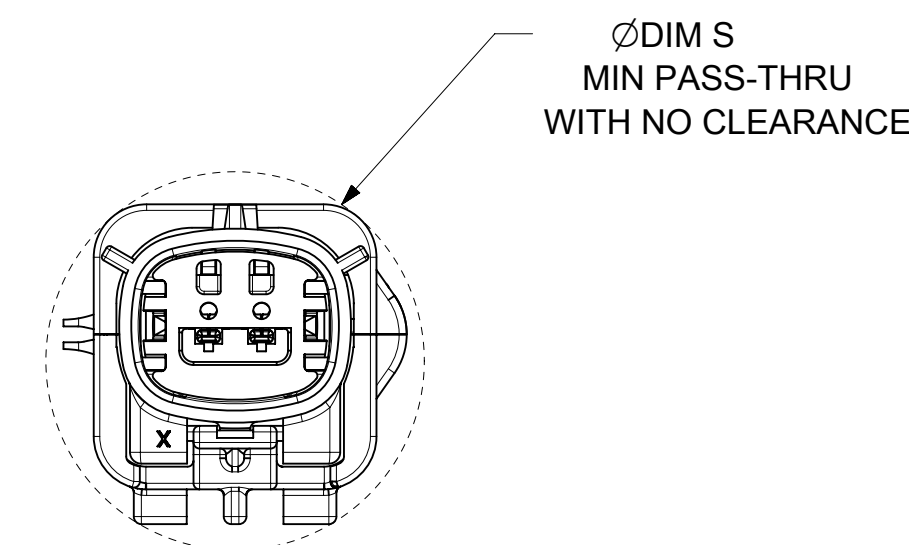
OVERALL MATED SYSTEM WITH BLADE BACKSHELL



OVERALL MATED SYSTEM WITH RECEPTACLE BACKSHELL



BLADE SEALED ASSEMBLY WITH BLADE BACKSHELL



<b>SYMBOLS</b> = 0 = 0 = 0 = 0 = 0 = 0 = 0	THIS DRAWING CONTAINS INFORMATION THAT IS PROPRIETARY TO MOLEX ELECTRONIC TECHNOLOGIES, LLC AND SHOULD NOT BE USED WITHOUT WRITTEN PERMISSION DIMENSION UNITS: <b>MM ONLY</b> SCALE: <b>2:1</b>	CURRENT REV DESC: EC NO: 602373 DRWN: DSHETTY01 2018/05/25 CHK'D: MVANSLAMBROU 2018/10/04 APPR: MVANSLAMBROU 2018/10/04 INITIAL REVISION: DRWN: APROFFITT 2015/07/21 APPR: KDEKOSKI 2016/06/14	 MX150 BLADE SINGLE ROW SEALED ASSY MAT SEAL		
	GENERAL TOLERANCES (UNLESS SPECIFIED) ANGULAR TOL ± 1.0° 4 PLACES ± 3 PLACES ± 2 PLACES ± 0.1 1 PLACE ± 0.2 0 PLACES ±	PRODUCT CUSTOMER DRAWING DOCUMENT NUMBER: <b>SD-33481-0001</b> DOC TYPE: PSD DOC PART: 001 REVISION: <b>A1</b>	MATERIAL NUMBER: SEE NOTE 2a. CUSTOMER: GENERAL MARKET SHEET NUMBER: 9 OF 9		