

7

6

5

4

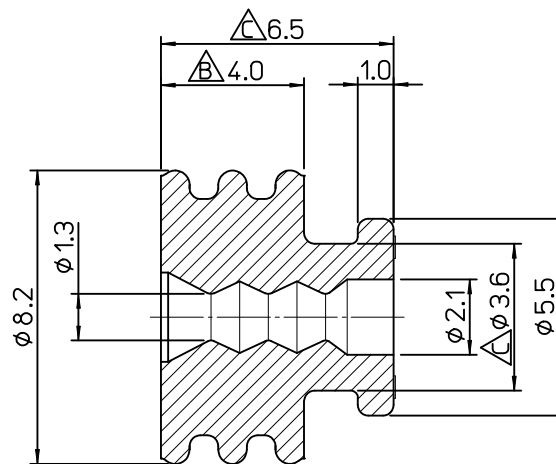
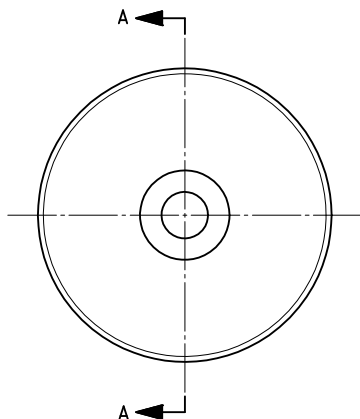
3

2

1

NOTES

1. MATERIAL: LUBRICATED SILICONE RUBBER
COLOR: BROWN
2. APPLICABLE WIRE SIZE: AVS0.5~0.85SQ
3. APPLICABLE TERMINAL: 35464-8000
4. APPLICABLE SOCKET: 35842, 35843



SECTION A-A

<TABLE 1>

359030096	35903-0096
MATERIAL NO.	ORDER NO.

REVISED EC NO: KOR2010-0141 DRW: EOKIM 2010/03/10 CHK: WYANG 2010/03/10 APPR: YUNSIKKIM 2010/03/11	QUALITY SYMBOLS =0 =0	GENERAL TOLERANCES (UNLESS SPECIFIED)		DIMENSION STYLE MM ONLY		SCALE 5:1	DESIGN UNITS METRIC	THIRD ANGLE PROJECTION 		
			mm	INCH	DRAWN BY YSIKKIM	DATE 1999/05/26	TITLE WIRE SEAL FOR POSITIVE TERMINAL			
		4 PLACES	± ---	± ---	CHECKED BY BKCHOI	DATE 1999/05/26	MOLEX INCORPORATED DOCUMENT NO. SD-35903-0096 SHEET NO. 1 OF 1			
		3 PLACES	± ---	± ---	APPROVED BY CWLEE	DATE 1999/05/26				
2 PLACES	± 0.1	± ---	ANGULAR ± 1 °		MATERIAL NO. SEE TABLE 1		SHEET NO. 1 OF 1			
1 PLACE	± 0.2	± ---	DRAFT WHERE APPLICABLE MUST REMAIN WITHIN DIMENSIONS		THIS DRAWING CONTAINS INFORMATION THAT IS PROPRIETARY TO MOLEX INCORPORATED AND SHOULD NOT BE USED WITHOUT WRITTEN PERMISSION					

6

5

4

3

2

1

7

6

5

4

3

2

1

E

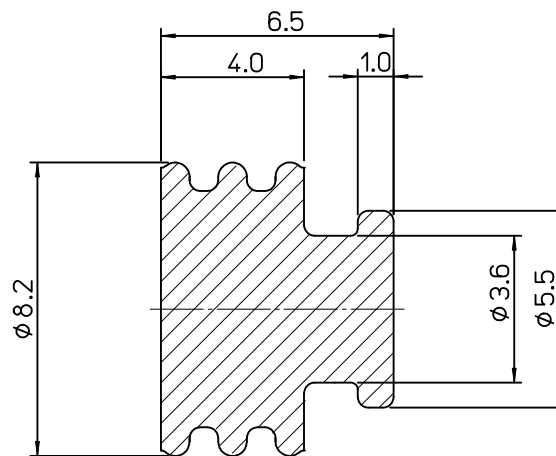
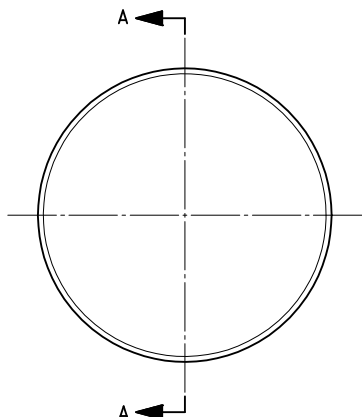
D

C

B

A

NOTES
 1.MATERIAL:LUBRICATED SILICONE RUBBER
 COLOR;BROWN
 2.APPLICABLE SOCKET:35842



SECTION A-A

<TABLE 1>

359030109	35903-0109
MATERIAL NO.	ORDER NO.

NEW RELEASE EC NO: KTR2012-0022 DRWN: HIMOON 2011/09/23 CHKD: BCYOON 2011/09/23 APPR: YUNSIKKIM 2011/11/03	QUALITY SYMBOLS = 0 = 0	GENERAL TOLERANCES (UNLESS SPECIFIED)		DIMENSION STYLE MM ONLY		SCALE 5:1	DESIGN UNITS METRIC	THIRD ANGLE PROJECTION		
				DRAWN BY YSIKKIM	DATE 1999/05/26	TITLE DUMMY SEAL				
				CHECKED BY BKCHOI	DATE 1999/05/26	APPROVED BY YUNSIKKIM				
				DATE 2011/11/03	MATERIAL NO. SEE TABLE1		DOCUMENT NO. SD-35903-109		SHEET NO. 1 OF 1	
REV A	DESCRIPTION DESCRIPTION	ANGULAR ± 1 °		DRAFT WHERE APPLICABLE MUST REMAIN WITHIN DIMENSIONS		THIS DRAWING CONTAINS INFORMATION THAT IS PROPRIETARY TO MOLEX INCORPORATED AND SHOULD NOT BE USED WITHOUT WRITTEN PERMISSION				

6

5

4

3

2

1