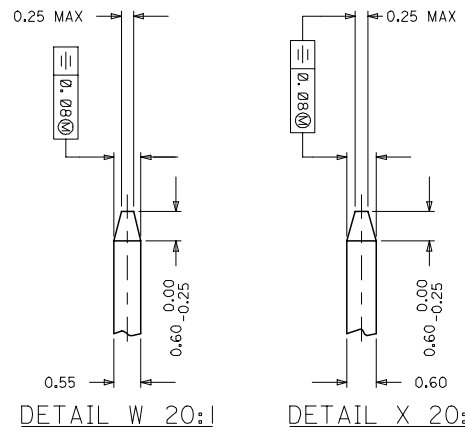
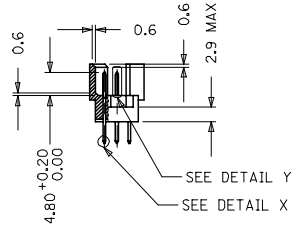
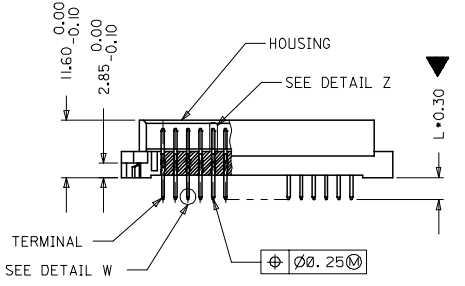
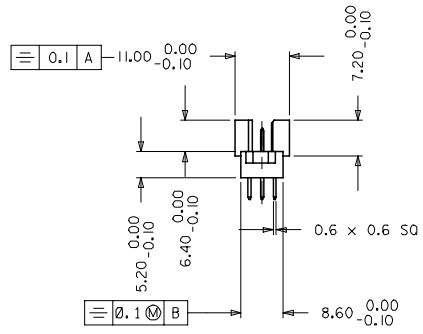
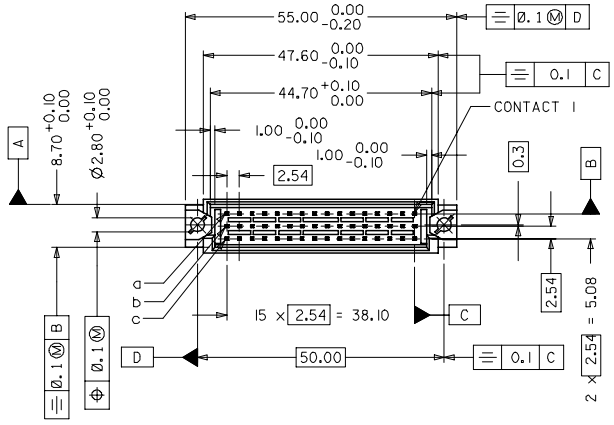
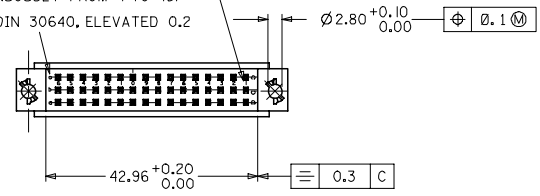


NOTES:

1. MATERIAL NUMBER, BATCH CODE, UL CSA MARKING TO BE PRINTED ON THE CONNECTOR AS PER E-36502-005
2. PRODUCT SPECIFICATION PS:85013-001
3. PACKING SPECIFICATION PK: 36512-001
4. CUT FACES OF TIP WITHOUT PLATING IS PERMITTED
5. REFERENCE AREA OF PLATING
6. GAUGE DRAWING REFER E-36500-100



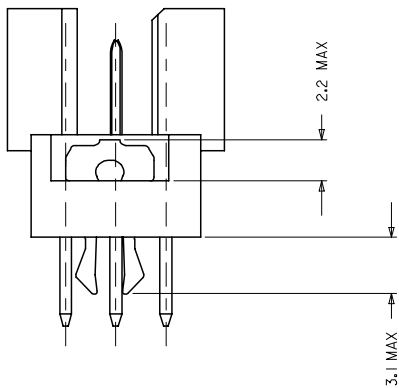
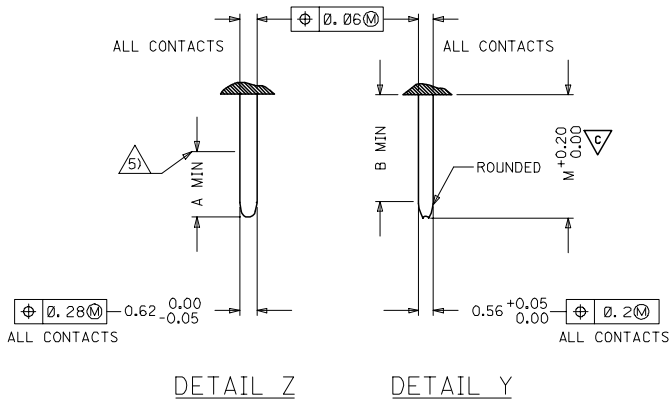
SCRIPT E1.25-5 DIN 30640, ELEVATED 0.2
(NUMBERED CONTINUOUSLY FROM 1 TO 16)
SCRIPT E1.5-6 DIN 30640, ELEVATED 0.2



EC NO. 12005-0092 DRAWN BY DRWNSHIVASHA CHKD BY CHAKRAPASAI APPR. BY SUDHIR	QUALITY SYMBOLS ▽=1 ▽=0	GENERAL TOLERANCES (UNLESS SPECIFIED)		DIMENSION STYLE		SCALE	DESIGN UNITS	THIRD ANGLE PROJECTION	
		mm	INCH	MM ONLY		2:1	METRIC		
DESCRIPTION	4 PLACES ±	±	---	DRAWN BY	DATE	TITLE			
	3 PLACES ±0.005	±	---	NS	2004/03/31	48 POS. MALE CONNECTOR			
	2 PLACES ±0.05	±	---	CHECKED BY	DATE	ACC. DIN 41612			
	1 PLACE ±0.1	±	---	GJLOWE	2004/03/31	STYLE R/2 CONTACTS			
MATERIAL NO.	ANGULAR ± 2°		APPROVED BY		DATE	MOLEX INCORPORATED			
	DRAFT WHERE APPLICABLE MUST REMAIN WITHIN DIMENSIONS		GJLOWE		2004/03/31	MATERIAL NO. SEE CHART			
SIZE	SEE CHART		APPROVED BY		DATE	DOCUMENT NO. E-85013-0002			
THIS DRAWING CONTAINS INFORMATION THAT IS PROPRIETARY TO MOLEX INCORPORATED AND SHOULD NOT BE USED WITHOUT WRITTEN PERMISSION						SHEET NO.		1 OF 2	

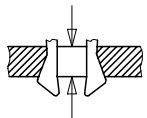
PRE MATING CONTACTS	5.4	4.1	4.8
NORMAL CONTACTS	4.8	3.5	4.2
	M	A	B

MALE CONNECTOR WITH MOUNTING CLIPS



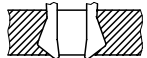
CLIPS SNAP UNDER
PC - BOARD OF
1.5 to 1.8 mm
Fm < 60N
Fr >= 20N
Fr >= 200N, WHEN
SOLDERED IN
PLATED - THROUGH
FIXING HOLES

Fm = MOUNTING FORCE
(FOR ONE CONNECTOR = 2 CLIPS)



FR = RETENTION FORCE
(FOR ONE CONNECTOR = 2 CLIPS)

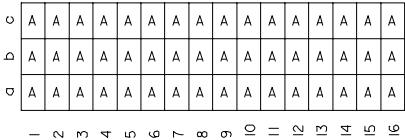
CLIPS STICK IN
FIXING HOLE OF
PC - BOARDS
OVER 1.8 mm
Fm < 60N
FR >= 16N



IEC NO. 12005-0092 2004/11/23 DRW:SHYASHA CHK:KPRASAD APPR:SSUDHIR 2004/11/23	QUALITY SYMBOLS ▽=0 ▽=1	GENERAL TOLERANCES (UNLESS SPECIFIED)		DIMENSION STYLE MM ONLY	SCALE 2:1	DESIGN UNITS METRIC	THIRD ANGLE PROJECTION
		4 PLACES ± --- ± --- 3 PLACES ± 0.005 ± --- 2 PLACES ± 0.05 ± --- 1 PLACE ± 0.1 ± --- ANGULAR ± 2 °	mm INCH	DRAWN BY NS	DATE 2004/03/31	TITLE 48 POS. MALE CONNECTOR ACC. DIN 41612 STYLE R/2 CONTACTS	
DRAFT WHERE APPLICABLE MUST REMAIN WITHIN DIMENSIONS		SEE CHART		MATERIAL NO. E-85013-0002	DOCUMENT NO. E-85013-0002	SHEET NO. 2 OF 2	
THIS DRAWING CONTAINS INFORMATION THAT IS PROPRIETARY TO MOLEX INCORPORATED AND SHOULD NOT BE USED WITHOUT WRITTEN PERMISSION							

20 19 18 17 16 15 14 13 12 11 9 8 7 6 5 4 3 2 1

VIEW ON MATING SIDE



A = 48 STANDARD CONTACTS L = 4.5

MARKING	STANDARD
PERFORMANCE LEVEL	G2/O = CONTACT AREA LEVEL2 / TERMINATION TIN
FLUX PROOF	NO
FIXING CLIP	NO
DIMENSIONS	E-85013-0002 SHT 1-2

A	G2/O	a1-16 b1-16 c1-16
CONTACT SYMBOL	PERFORMANCE LEVEL	CONTACT POSITION NUMBER

SL. NO.	DESCRIPTION	CONTACT SYMBOL	PART NUMBER	QTY
1	HOUSING		36520-0002	1
2	TERMINAL	A	36527-0005	48

EC NO. I 2004-XXXX DRAWN: N.S. 31/03/04 CHK'd: G.L. 31/03/04 APPR'd: G.L. 31/03/04	QUALITY SYMBOLS MAJOR CRITICAL	GENERAL TOLERANCES: (UNLESS SPECIFIED)		SCALE	DESIGN UNITS	THIRD ANGLE PROJECTION <input type="checkbox"/> 1st ANGLE <input checked="" type="checkbox"/> 2nd ANGLE	DIMENSIONS:		SHT	REV		
		4 PLACES	±0.	±.	mm		INCH	<input type="checkbox"/> mm	<input type="checkbox"/> INCH	<input checked="" type="checkbox"/> mm	<input checked="" type="checkbox"/> INCH	REVISE ON CAD ONLY
		3 PLACES	±0.	±.								
		2 PLACES	±0.	±.								
		1 PLACE	±0.	±.								
		ANGULAR: ±		CAD FILENAME	MATERIAL NO.	DRAWING NO.	TITLE:		SHEET NO.	SIZE		
A	REV	DRAFT WHERE APPLICABLE MUST REMAIN WITHIN DIMENSIONS		E-85013-0074.S01	85013-0074	E-85013-0074	48 POS MALE CONNECTOR ACCORDING DIN 41612 STYLE R/2 CONTACTS ARRANGEMENT		1 OF 1	D		
				THIS DRAWING CONTAINS INFORMATION THAT IS PROPRIETARY TO MOLEX INCORPORATED AND SHOULD NOT BE USED WITHOUT WRITTEN PERMISSION.								

19 18 17 16 15 14 13 12 11 10 9 8 7 6 5 4 3 2 1

20 19 18 17 16 15 14 13 12 11 9 8 7 6 5 4 3 2 1

VIEW ON MATING SIDE

○	A	A	A	A	A	A	A	A	A	A	A	A	A	A	A	A
○	A	A	A	A	A	A	A	A	A	A	A	A	A	A	A	A
○	A	A	A	A	A	A	A	A	A	A	A	A	A	A	A	A

- 2 3 4 5 6 7 8 9 10 11 12 13 14 15 16

A = 48 STANDARD CONTACTS L = 4.5

MARKING	STANDARD
PERFORMANCE LEVEL	G2/O = CONTACT AREA LEVEL2 / TERMINATION TIN
FLUX PROOF	NO
FIXING CLIP	NO
DIMENSIONS	SD-85013-0002 SHT 1

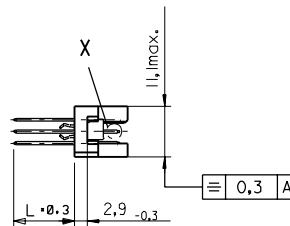
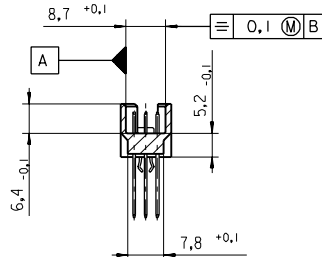
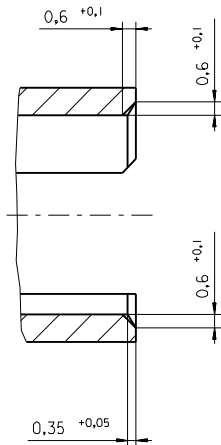
A	G2/O	a1-16 b1-16 c1-16
CONTACT SYMBOL	PERFORMANCE LEVEL	CONTACT POSITION NUMBER

EC NO.: 12004-XXXX DRAWN: N.S. 31/03/04 CHK'd: G.L. 31/03/04 APPR'd: G.L. 31/03/04	QUALITY SYMBOLS MAJOR CRITICAL	GENERAL TOLERANCES: (UNLESS SPECIFIED) 4 PLACES ±0.1 ±. 3 PLACES ±0.2 ±. 2 PLACES ±0.3 ±. 1 PLACE ±0.4 ±.	SCALE <input checked="" type="checkbox"/> MM <input type="checkbox"/> INCH	DESIGN UNITS <input checked="" type="checkbox"/> MM <input type="checkbox"/> INCH	DIMENSIONS: <input type="checkbox"/> MM <input type="checkbox"/> INCH <input checked="" type="checkbox"/> MM ONLY	SHT REV REVISE ON CAD ONLY
	DESCRIPTION	DRAWN BY & DATE S.S. 15/09/1999	CHECKED BY & DATE G.L. 15/09/1999	APPROVED BY & DATE G.L. 15/09/1999	TITLE: 48 POS MALE CONNECTOR ACCORDING DIN 41612 STYLE R/2 CONTACTS ARRANGEMENT	
	CAD FILENAME S850130074.S01	MATERIAL NO. 85013-0074	DRAWING NO. SD-85013-0074	MOLEX INCORPORATED		
	DRAFT WHERE APPLICABLE MUST REMAIN WITHIN DIMENSIONS		THIS DRAWING CONTAINS INFORMATION THAT IS PROPRIETARY TO MOLEX INCORPORATED AND SHOULD NOT BE USED WITHOUT WRITTEN PERMISSION.			

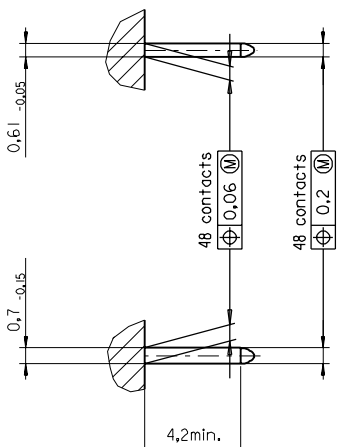
24-border.DGN REV A 96/06/12 LEVEL 6 19 18 17 16 15 14 13 12 11 10 9 8 7 6 5 4 3 2 1

PART NO.
DWG. NO.

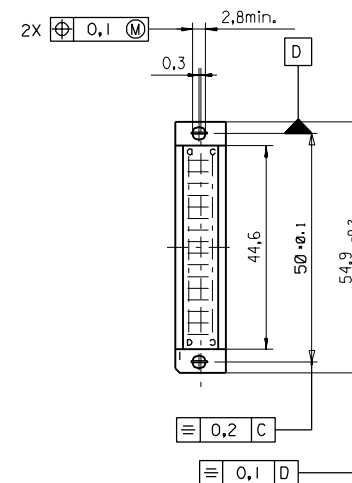
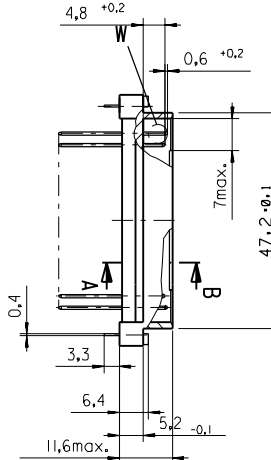
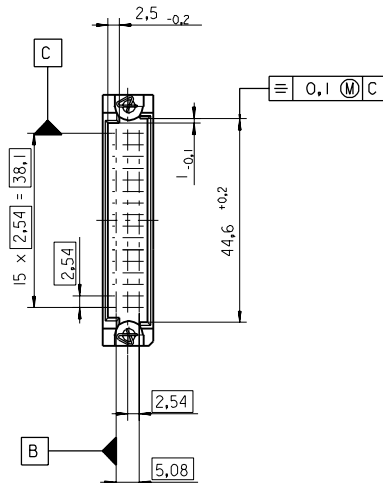
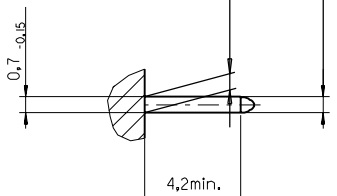
Section A - B
5:1



View X
5:1



View W
5:1



BI	LTR	first release see ECN No. 1887	FIRST ANGLE PROJECTION		REVISE ONLY ON CAD SYSTEM		SH.	REV.
		FOR PREVIOUS REVISIONS SEE MRI LIST	UNLESS OTHERWISE SPECIFIED TOLERANCES: ANGULAR ± 2°	DRWG BY Ca	SIGN	CAD/CAM PROJECT NAME 85013000 821	THIS DRAWING CONTAINS INFORMATION THAT IS PROPRIETARY TO MOLEX INC. & SHOULD NOT BE USED WITHOUT WRITTEN PERMISSION	
			INCH	METRIC	CHK'D BY KN	SIGN	TITLE 48 pos. Male connector acc. DIN 41612 style R/2 Dimensions	
			3 PLACE ± . ±	±	APP'D BY	SIGN	SHEET NO. DATE 1 OF 95/06/08	
			DRAFT WHERE APPLICABLE MUST REMAIN WITHIN DIMENSIONS		SCALE		PART NO. DWG NO. SIZE	
			DESIGN DIMENSION <input checked="" type="checkbox"/> MM	<input type="checkbox"/> IN.			SDA-85013-0002 B	
			EQUIVALENT DIMENSION <input type="checkbox"/> MM	<input type="checkbox"/> IN.				
			IF TWO DIMENSIONS ARE SHOWN THE UPPER IS THE DESIGN DIMENSION, LOWER IS SECONDARY					

VIEW ON MATING SIDE

⊂	A	A	A	A	A	A	A	A	A	A	A	A	A	A	A	A	A	A	A
⊃	A	A	A	A	A	A	A	A	A	A	A	A	A	A	A	A	A	A	A
⊄	A	A	A	A	A	A	A	A	A	A	A	A	A	A	A	A	A	A	A

1 2 3 4 5 6 7 8 9 10 11 12 13 14 15 16 17 18 19 20 21 22 23 24 25 26 27 28 29 30 31 32 33 34 35 36 37 38 39 40 41 42 43 44 45 46 47 48 49 50 51 52 53 54 55 56 57 58 59 60 61 62 63 64 65 66 67 68 69 70 71 72 73 74 75 76 77 78 79 80 81 82 83 84 85 86 87 88 89 90 91 92 93 94 95 96 97 98 99 100

A = 48 STANDARD CONTACTS L=4,5

Marking	Standard
Performance level	G2/0 = Contact area perform. level2 / Termination tin
Flux proof	no
Fixing clip	no
Dimensions	SDA-85013-0002 sht.1
Technical Data	PS-85013-0001

A	G2/0	a1-16	b1-16	c1-16
Contact symbol	Perform. level	Contact position number		

first release see ECN No. 1868	REVISIONS		FOR PREVIOUS REVISIONS SEE MRI LIST	
	UNLESS OTHERWISE SPECIFIED TOLERANCES: ANGULAR ± 2° INCH METRIC	DRWG BY Ca	SIGN	SH. REV.
3 PLACE ± .	±	CHK'D BY KN	SIGN	THIS DRAWING CONTAINS INFORMATION THAT IS PROPRIETARY TO MOLEX INC. & SHOULD NOT BE USED WITHOUT WRITTEN PERMISSION
2 PLACE ± .	±	APP'D BY	SIGN	
1 PLACE ± .	±	SCALE	SCALE	TITLE 48 pos. Male connector acc. DIN 41612 style R/2 contacts arrangement
DRAFT WHERE APPLICABLE MUST REMAIN WITHIN DIMENSIONS		DESIGN DIMENSION <input type="checkbox"/> MM <input type="checkbox"/> IN.	EQUIVALENT DIMENSION <input type="checkbox"/> MM <input type="checkbox"/> IN.	
IF TWO DIMENSIONS ARE SHOWN, THE UPPER IS THE DESIGN DIMENSION, LOWER IS SECONDARY		PART NO. 85013-0074 DWG NO. SDA-85013-0074 SHEET NO. 1 OF 1 DATE 95/06/07 SIZE A		