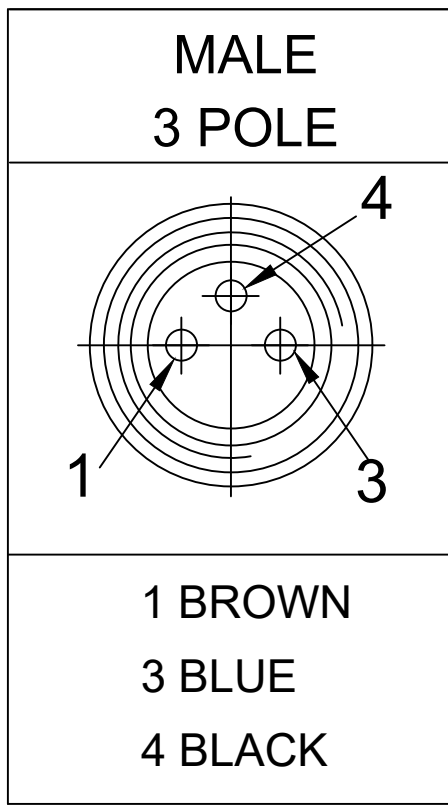


1 BROWN
3 BLUE
4 BLACK

MATERIAL NUMBER	ENGINEERING NUMBER	FINISHED LENGTH
1200870235	443030K05M010	1M [3 FT 3 IN]
1200870236	443030K05M020	2M [6 FT 7 IN]
1200871000	443030K05M050	5M [16FT 5 IN]

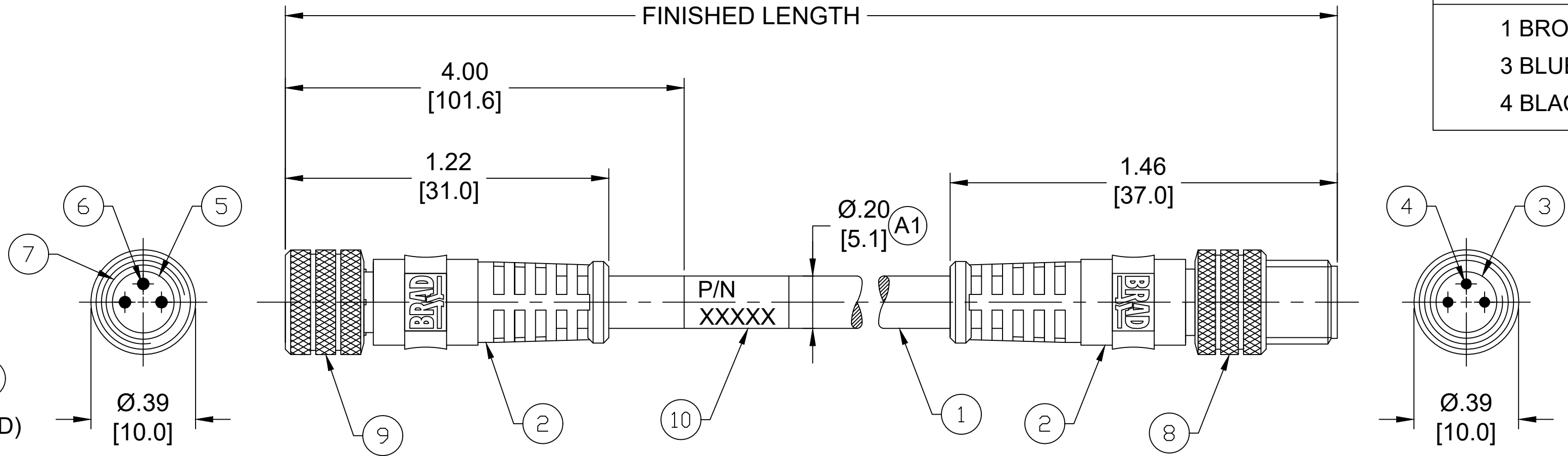
(A1)



1 BROWN
3 BLUE
4 BLACK

NOTES:

1. MATERIAL: AS NOTED
2. FINISH: AS NOTED
3. ELECTRICAL:
VOLTAGE : 60VAC/75VDC
CURRENT: 4A
4. TEMP RATING: -20° TO +105°C (A1)
5. PROTECTION: IP68 (WHEN MATED)
6. COUPLING THREAD: M8X1
7. UL LISTED FILE: E152210
8. ALL DIMENSIONS ARE FOR REFERENCE UNLESS TOLERANCED OR NOTED OTHERWISE



MECHANICAL CHARACTERISTICS: (A1)

TORSIONAL FLEX TEST	10 MILLION CYCLES PER MIL-C-13777G
BEND FLEX TEST	10 MILLION CYCLES PER MIL-C-13777G
WELD SLAG RESISTANCE	WOODHEAD STANDARD S-300

ITEM	COMPONENT	MATERIAL	FINISH
10	WRAP LABEL	VINYL	BLACK/YELLOW
9	FEMALE COUPLING NUT	BRASS	NICKEL PLATED
8	MALE COUPLING NUT	BRASS	NICKEL PLATED
7	O-RING	VITON	RED
6	CONTACT SOCKET	COPPER ALLOY	GOLD/NICKEL PLATED
5	FEMALE INSERT	PUR	BLACK
4	CONTACT PIN	COPPER ALLOY	GOLD/NICKEL PLATED
3	MALE INSERT	PUR	BLACK
2	OVERMOLD	TPC	YELLOW
1	CABLE, #22-3, ITC/PLTC	TPE	YELLOW

(A1)

PART NUMBER LEGEND

443030K05M006

LENGTH
M001 = .6 METER
M010 = 1 METER
M100 = 10 METER

(A1)

CABLE LENGTH TOLERANCES

<.3M [1FT]:	+19mm-0 [+.75in-0]
.3 - .9M [1 - 3FT]:	+44.5mm-0 [+1.75in-0]
.9 - 1.8M [3 - 6FT]:	+55.6mm-0 [+2.19in-0]
1.8 - 3.7M [6 - 12FT]:	+88.9mm-0 [+3.50in-0]
3.7 - 7.3M [12 - 24FT]:	+165.1mm-0 [+6.50in-0]
7.3-14.6M [24 - 48FT]:	+317.5mm-0 [+12.50in-0]
14.6 - 30.5M [48-100FT]:	+622.3mm-0 [+24.50in-0]
OVER 30M [100FT]	+2% OF FINISHED LENGTH

FUNCTIONAL SYMBOLS	THIS DRAWING CONTAINS INFORMATION THAT IS PROPRIETARY TO MOLEX ELECTRONIC TECHNOLOGIES, LLC AND SHOULD NOT BE USED WITHOUT WRITTEN PERMISSION		CURRENT REV DESC: ITEM-10 WAS MYLAR. ADDED CABLE DIA & MECHANICAL CHARACTERISTICS CHART. MODIFIED TEMP RATING & PN CHART. REMOVED CSA			
	DIMENSION UNITS	SCALE				
DIVISIONAL SYMBOLS	INCH/MM	NTS	EC NO: 702709		NANO-CHANGE CORDSET, M8	
	GENERAL TOLERANCES (UNLESS SPECIFIED)		DRWN: ABENJAMINLW 2021/10/22		3 POLE, FEMALE-MALE, STRAIGHT,	
DIVISIONAL SYMBOLS	mm INCH		CHK'D: RSTONE 2022/04/11		SINGLE KEY, #22 AWG TPE HI-FLEX	
	4 PLACES ±----	±----	APPR: BWOODMAN 2022/04/16		PRODUCT CUSTOMER DRAWING	
	3 PLACES ±----	±----	INITIAL REVISION:		DOCUMENT NUMBER	
	2 PLACES ±----	±----	DRWN: GGUSTAFS 2013/10/10		SD-120086-053	
1 PLACE ±----	±----	APPR: BWOODMAN 2013/11/12		DOC TYPE/DOC PART/REVISION		
0 PLACES ±----	±----	ANGULAR TOL ± ---- °		PSD 001 A1		
DRAFT WHERE APPLICABLE MUST REMAIN WITHIN DIMENSIONS		THIRD ANGLE PROJECTION	DRAWING	SERIES	MATERIAL NUMBER	CUSTOMER
			C-SIZE	120086	SEE CHART	GENERAL MARKET
						SHEET NUMBER
						1 OF 1