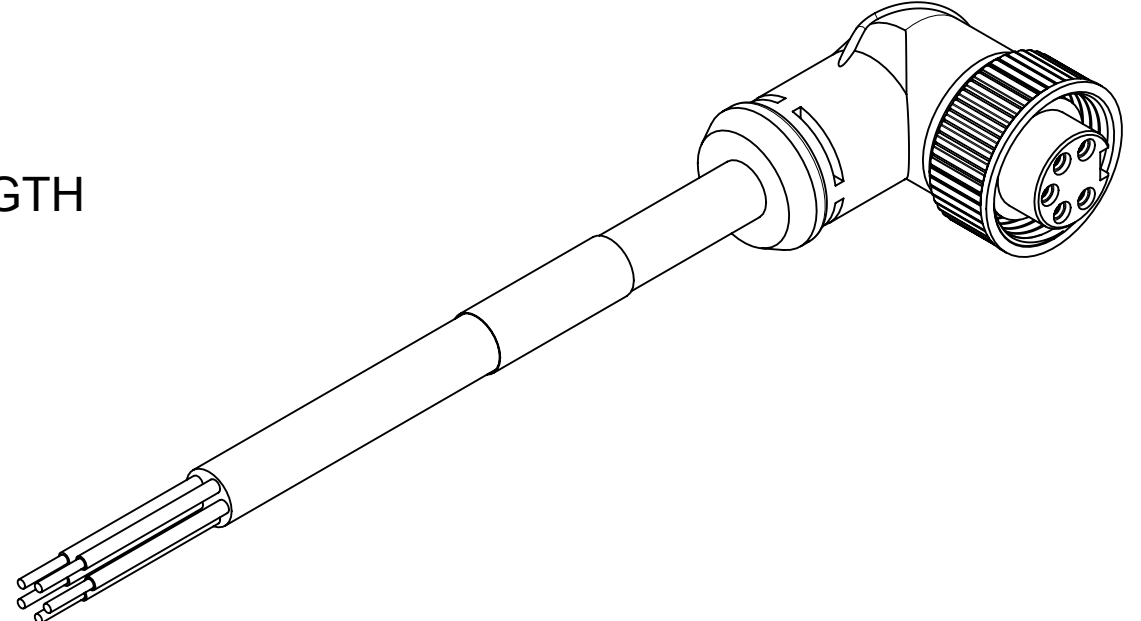


MATERIAL NO.	ENGINEERING NO.	FINISHED LENGTH
1300240132	DN90A-M005	0.5M (1 FT 7.70 IN)
1300240139	DN90A-M100	10M (32 FT 9.70 IN)
1300240140	DN90A-M200	20M (65 FT 7.40 IN)

PART NUMBER LEGEND

DN90A-M010

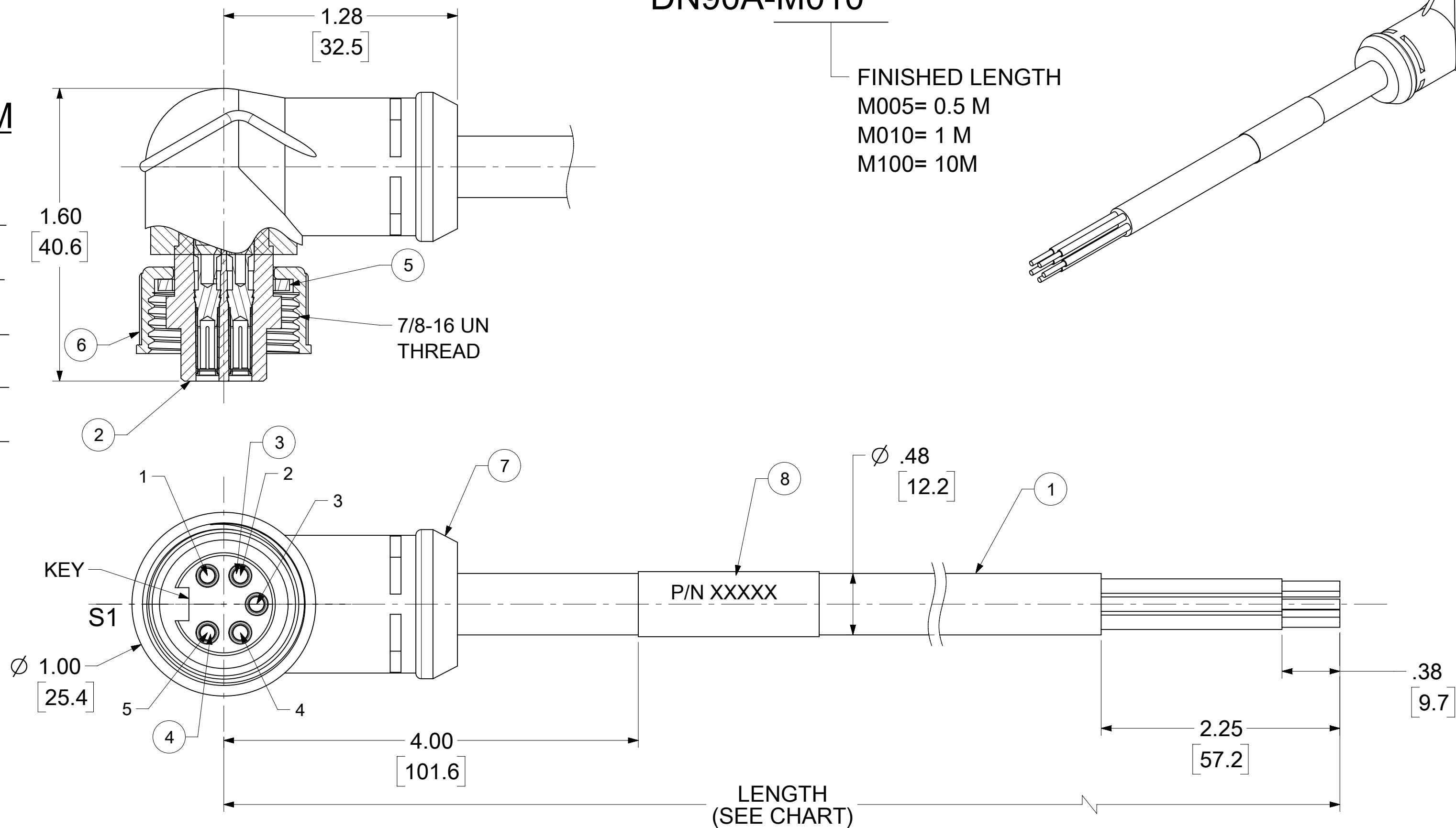
FINISHED LENGTH
M005= 0.5 M
M010= 1 M
M100= 10M



WIRING DIAGRAM

S1

1	DRAIN
2	RED
3	BLACK
4	WHITE
5	BLUE



- NOTES:
1. MATERIAL: AS NOTED
 2. FINISH: AS NOTED
 3. ELECTRICAL:
VOLTAGE: 300V PER IEC60664
300V PER UL2238
CURRENT: 4A
 4. TEMP RATING: -20°C TO +80°C
 5. PROTECTION: IP67 (WHEN MATED)
 6. UL RECOGNIZED FILE: E152210
CSA CERTIFIED FILE: LR6837
 7. ALL DIMS ARE FOR REFERENCE UNLESS TOLERANCED OR NOTED OTHERWISE

CABLE LENGTH TOLERANCES	
<.3M [1FT]:	+19mm-0 [+.75in-0]
.3 - .9M [1 - 3FT]:	+44.5mm-0 [+1.75in-0]
.9 - 1.8M [3 - 6FT]:	+55.6mm-0 [+2.19in-0]
1.8 - 3.7M [6 - 12FT]:	+88.9mm-0 [+3.50in-0]
3.7 - 7.3M [12 - 24FT]:	+165.1mm-0 [+6.50in-0]
7.3-14.6M [24 - 48FT]:	+317.5mm-0 [+12.50in-0]
14.6 - 30.5M [48-100FT]:	+622.3mm-0 [+24.50in-0]
OVER 30M [100FT]:	+2% OF FINISHED LENGTH

ITEM	DESCRIPTION	MATERIAL	FINISH
8	WRAP LABEL	VINYL	BLACK/YELLOW
7	OVERMOLD	TPE	GRAY
6	COUPLING NUT	ZINC DIE CAST	BLACK E-COAT
5	FRICTION RING	NYLON	WHITE
4	CONTACT SOCKET, 18 AWG	BRASS	GOLD OVER NICKEL
3	CONTACT SOCKET, 16 AWG	BRASS	GOLD OVER NICKEL
2	FEMALE INSERT	TPE	BLACK
1	CABLE, DEV-NET, TRUNK, 18/2, 15/2	PVC JACKET	GRAY

FUNCTIONAL SYMBOLS	THIS DRAWING CONTAINS INFORMATION THAT IS PROPRIETARY TO MOLEX ELECTRONIC TECHNOLOGIES, LLC AND SHOULD NOT BE USED WITHOUT WRITTEN PERMISSION		CURRENT REV DESC: 2 & 7 WERE PVC	
	FA = 0	INCH/MM	SCALE	NTS
DIVISIONAL SYMBOLS	FC = 0	GENERAL TOLERANCES (UNLESS SPECIFIED)		EC NO: 720800 DRWN: VASUTHKARP 2022/07/12 CHK'D: RSTONE 2022/09/09 APPR: BWOODMAN 2022/09/09
	FP = 0	4 PLACES	±	
		3 PLACES	±	±
		2 PLACES	±	±
		1 PLACE	±	±
		0 PLACES	±	±
		ANGULAR TOL	±	°
	DRAFT WHERE APPLICABLE MUST REMAIN WITHIN DIMENSIONS	THIRD ANGLE PROJECTION	DRAWING	SERIES
			C-SIZE	130024

DOCUMENT NUMBER		DOC TYPE	DOC PART	REVISION
SD-130024-004		PSD	001	B
MATERIAL NUMBER	CUSTOMER	SHEET NUMBER		
SEE TABLE	GENERAL MARKET	1 OF 1		