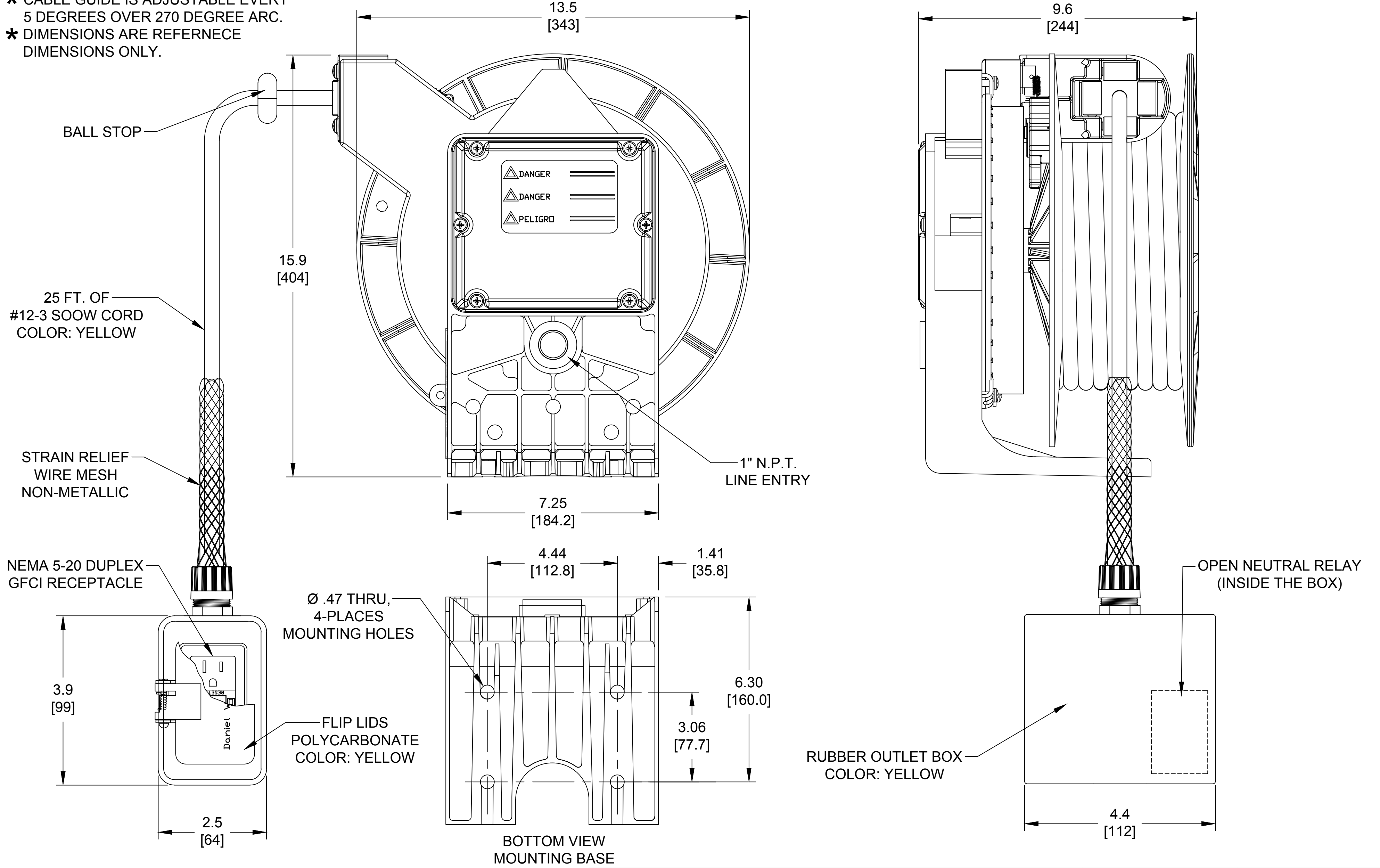


* CABLE GUIDE IS ADJUSTABLE EVERY 5 DEGREES OVER 270 DEGREE ARC.
 * DIMENSIONS ARE REFERRECE DIMENSIONS ONLY.



RELEASE SALES DWG EC NO: IFC2016-1367 DRWN: HRUIZ01 2016/04/08 CH'KD: HKNEELAN 2016/04/08 APPR: JFMURPHY 2016/05/04 A	QUALITY SYMBOL ▽=0 ▽=0	GENERAL TOLERANCES (UNLESS SPECIFIED) 4 PLACES ±--- ±--- 3 PLACES ±--- ±.005 2 PLACES ±.13 ±.010 1 PLACE ±.25 ±.010	DIMENSION STYLE INCH[MM]	SCALE NTS	DESIGN UNITS INCH	THIRD ANGLE PROJECTION
	DRAWN BY HRUIZ01	DATE 2016/04/08	TITLE 9383 CABLE REEL 25' #12-3 SOOW CABLE 20A GFCI & GRIP			
	CHECKED BY HKNEELAN	DATE 2016/04/08	MOLEX INCORPORATED			
	APPROVED BY JFMURPHY	DATE 2016/05/04	MATERIAL NO. 1300830928	DOCUMENT NO. SD-130083-055	SHEET NO. 1 OF 1	
	DRAFT WHERE APPLICABLE MUST REMAIN WITHIN DIMENSIONS		THIS DRAWING CONTAINS INFORMATION THAT IS PROPRIETARY TO MOLEX INCORPORATED AND SHOULD NOT BE USED WITHOUT WRITTEN PERMISSION			