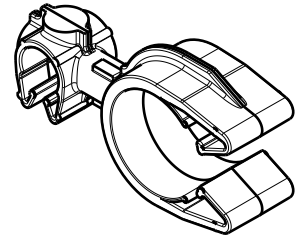
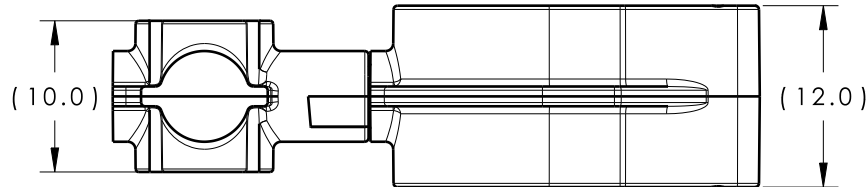
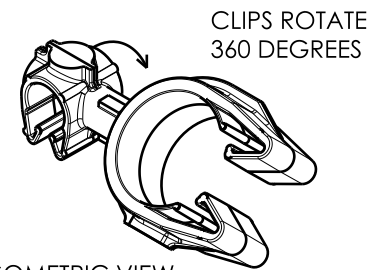
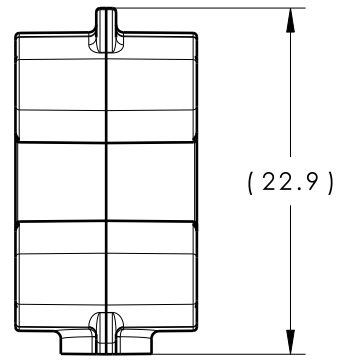
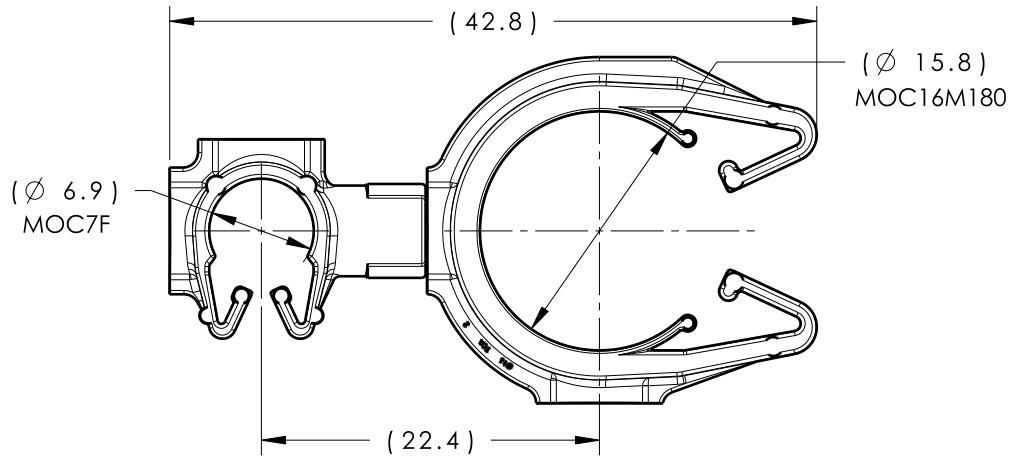


Revision Level			Revision Record	Changed	Date	Approved	Date
Drawing	State	Part					
00.0	Design Release	-	SEE ECN# 014632	TAT	9/7/18	EJH	9/7/18



ISOMETRIC VIEW
SCALE 1:1




ISOMETRIC VIEW
ROTATED
SCALE 1:1

TYPE	MOC7F	MOC16M180
HARNESS	6.5MM - 7.5MM	14.0MM - 17.0MM
HOSE	6.0MM - 7.5MM	14.0MM - 17.0MM
HARD PIPE/TUBE	6.0MM - 6.8MM	15.9MM - 18.3MM

*RECOMMENDED SIZES MAY DIFFER DEPENDING ON THE APPLICATION , PRODUCT REQUIREMENTS AND MATERIALS USED

**PATENT PENDING 29/582,271

GLOBAL PART DESCRIPTION	MOC7F			MOC16M180**						
	DRAWING	MATERIAL	COLOR	DRAWING	MATERIAL	COLOR				
MOC7FMOC16M180-PA66HIRHSUV-BK	16-0315-000-CSU	PA66HIRHSUV	BLACK	16-0321-000-CSU	PA66HIRHSUV	BLACK				
Material SEE CHART COLOR: SEE CHART	Units	The copyright of this drawing is reserved by HellermannTyton. It is issued on condition that it is not reproduced, copied or disclosed to a third party, either wholly or in part, without the consent of HellermannTyton.	Drawn	TAT	9/7/18	Article/Type-No	MOC7FMOC16M180	Scale	2:1	
	Tolerance defined on each dimension		Approved	EJH	9/7/18	Title	7MM MOC COUPLED TO A 16MM MOC		Project Number	16-0330
			 North America Email: corp@htamericas.com Web: www.hellermann.tyton.com			Drawing-No	PRODUCTION : Phase		Format	AH
						16-0330-251-CSU			Sheet	1/1