

D-SUB coaxial contact - VS-ST-KX-50-LP - 1655522

Please be informed that the data shown in this PDF Document is generated from our Online Catalog. Please find the complete data in the user's documentation. Our General Terms of Use for Downloads are valid (<http://phoenixcontact.com/download>)



Coaxial contact, for D-SUB combination inserts, for PCB assembly, pin, angled, gold-plated



Key commercial data

Packing unit	1 pc
Minimum order quantity	10 pc
Weight per Piece (excluding packing)	4.08 GRM
Custom tariff number	85366910
Country of origin	Germany

Technical data

Mechanical characteristics

Insertion/withdrawal cycles	≥ 500
Connection method	PCB mounting
Insertion force per signal contact	≤ 7.00 N
Extraction force per signal contact	≤ 7 N

Ambient conditions

Ambient temperature (operation)	-55 °C ... 135 °C
---------------------------------	-------------------

Material data

Contact material	Copper alloy
Contact surface material	Hard gold-plated over nickel

Electrical characteristics

Rated voltage (III/3)	250 V
Rated current	2 A
Insulation resistance	10 TΩ

D-SUB coaxial contact - VS-ST-KX-50-LP - 1655522

Classifications

eCl@ss

eCl@ss 4.0	27140816
eCl@ss 4.1	27260701
eCl@ss 5.0	27260701
eCl@ss 5.1	27260701
eCl@ss 6.0	27261202
eCl@ss 7.0	27440204
eCl@ss 8.0	27440204

ETIM

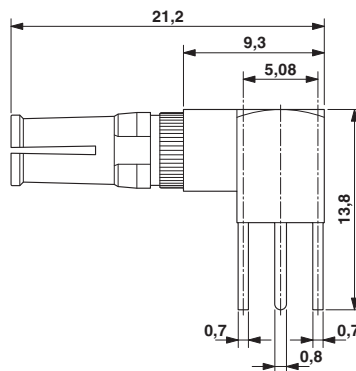
ETIM 2.0	EC000796
ETIM 3.0	EC000796
ETIM 4.0	EC000796
ETIM 5.0	EC000796

UNSPSC

UNSPSC 6.01	30211923
UNSPSC 7.0901	39121522
UNSPSC 11	39121522
UNSPSC 12.01	39121522
UNSPSC 13.2	39121522

Drawings

Dimensioned drawing



D-SUB coaxial contact pin

