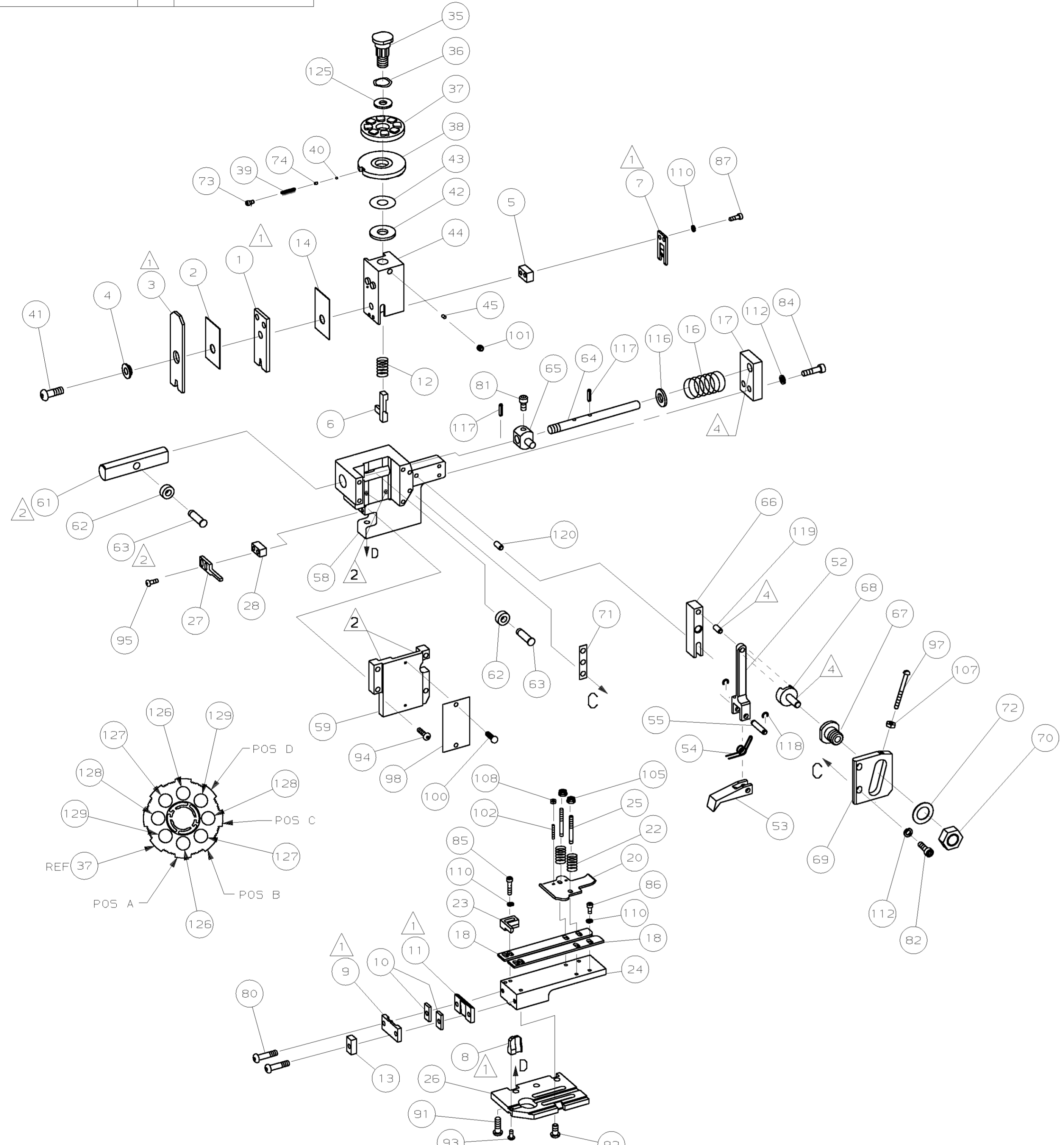
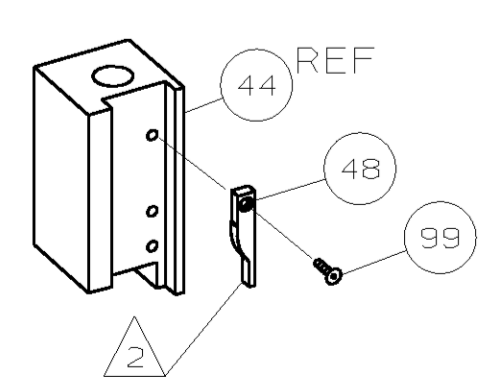


PART NUMBER	REV	FIRST USED
466083-4	J	122500-1



POST-FEED 1 5/8 STROKE



LOC A LEADMAKER  
 DIST 66

- 1 RECOMMENDED SPARE PARTS.
- 2 GREASE LIGHTLY.
- 3 GUARD MUST BE IN PLACE WHEN OPERATING APPLICATOR IN A BENCH MACHINE.
- 4 LUBRICATE DAILY USING NO. 20 MACHINE OIL.
- 5. ITEMS WITH QTY OF REF SPECIFIED (EXCEPT ITEMS 78 AND 79) ARE USED ON ITEM 32.

TERMINAL NAME: RECEPTACLE, FASTON, FLAG, REVERSIBLE, .250 SERIES			
60764 CRIMP DATA (AMP TERMINAL)			
PAD LTR	CRIMP HEIGHT	WIRE SIZE	
A	.068 ±.002 [1.73 ±0.05mm]	14	
B	.062 ±.002 [1.57 ±0.05mm]	(1) 18 & (1) 20	
C	.061 ±.002 [1.55 ±0.05mm]	16	
D	.056 ±.002 [1.42 ±0.05mm]	18	
CRIMP	SIZE	TYPE	RANGE
WIRE	.130 [3.30mm]	F	18-14
INSUL	.250 [6.35mm]	0	.170-.220

WIRE STRIP LENGTH	TERM APPL	SPEC	FEED	APPL INSTRUCTION	SET UP GAGE	LAYOUT
.205-.235	114-2032		.937	408-8039	458638-1	194

2	-	C	1-354779-0	PIN, WIRE DISC (.3040)D	129
2	-	C	9-354778-9	PIN, WIRE DISC (.2990)C	128
2	-	C	9-354778-7	PIN, WIRE DISC (.2980)B	127
2	-	C	8-354778-5	PIN, WIRE DISC (.2920)A	126
1	-	A	986950-1	WASHER, FLAT PRECISION	125
1	-	A	217238-1	GENERAL INSTRUCTION PACKAGE	124
1	-	-	4088039	EF APPL INST 408-8039	123
					122
					121
REF	-	A	1-21030-7	PIN, DOWEL (Ø.187x1.50)H5G	120
REF	-	A	1-21030-1	PIN, DOWEL (Ø.187x.50)LEVER	119
REF	-	A	21045-3	RING, RET "C" (Ø.187)FD PIN	118
REF	-	A	5-21028-1	PIN, STD SPRING (Ø.12)FD ADJ ROD	117
REF	-	A	21899-4	WASHER, FLAT (Ø5/16) SCR ADJ	116
					115
					114
					113
REF	-	A	21024-5	WASHER, LOCK (NO.10)FD ROD GDE	111
					110
7	-	A	21024-4	WASHER, LOCK (NO.8)SHEAR BL	109
					108
2	-	A	21018-4	NUT, HEX (4-40)DRAG	107
REF	-	A	21018-5	NUT, HEX (6-32)FD ADJ PL	106
					105
					104
					103
2	-	A	2-21006-6	SCR, SKT SET (4-40x.62)DRAG	102
1	-	A	21009-2	SCR, SKT SET (1/4-20x.25)RAM	101
2	-	A	21017-2	SCR, DRIVE (#2x.19)ID PLATE	100
1	-	A	1-21002-7	SCR, BHC (6-32x.38)CAM	99
1	-	B	461264-1	PLATE, IDENTIFICATION	98
REF	-	A	6-23715-5	SCR, PAN HD (6-32x1.50)FEED ADJ	97
					96
2	-	A	2-21002-2	SCR, BHC (8-32x.50)STRIPPER	95
REF	-	A	2-21002-9	SCR, BHC (10-32x.75)H5G CAP	94
1	-	A	22733-8	SCR, BHC (8-32x.38 LW)ANVIL	93
4	-	A	3-21002-3	SCR, BHC (1/4-20x.50)ST 6D PL	92
REF	-	A	2-22733-8	SCR, BHC (1/4-20x.62)BASE PL	91
					90
					89
					88
2	-	A	2-21000-8	SCR, 5HC (8-32x.62)SLUG BLADE	87
3	-	A	2-21000-6	SCR, 5HC (8-32x.38)STRIP GUIDE	86
2	-	A	2-21000-9	SCR, 5HC (8-32x.75)R STRIP GUIDE	85
REF	-	A	3-21000-7	SCR, 5HC (10-32x.75)FEED ROD GDE	84
					83
REF	-	A	3-21000-6	SCR, 5HC (10-32x.62)FEED ADJ PL	82
REF	-	A	3-21000-4	SCR, 5HC (10-32x.38)PIVOT BLOCK	81
2	-	A	3-21002-0	SCR, BHC (10-32x.88)SHEAR PL	80
					79
					78
					77
					76
					75
1	-	A	690603-1	SPRING, ASSIST	74
1	-	A	23030-1	SCR, SKT CAP (6-32x.25)CP DSC	73
REF	-	A	458109-1	WASHER, FLAT (SPECIAL)	72
REF	-	A	690517-1	SPACER	71

QTY	REF	U/M	DWG SIZE	PART NO	DESCRIPTION	ITEM NO
-4		U/M				

QTY REOD PER ASSY		PARTS LIST	

REF	QTY	U/M	DWG SIZE	PART NO	DESCRIPTION	ITEM NO
REF	-	A		22594-8	NUT, HEX	70
REF	-	B		240628-1	PLATE, ADJ	69
REF	-	B		240626-1	SHAFT, PIVOT	68
REF	-	B		240633-1	BUSHING	67
REF	-	A		455680-1	LEVER, INTERMEDIATE	66
REF	-	B		240629-1	BLOCK, PIVOT	65
REF	-	A		240632-2	SCR, ADJ	64
REF	-	B		240659-3	PIN, CAM ROLLER	63
REF	-	B		240658-1	CAM, ROLLER	62
REF	-	B		454398-1	ROD, FEED	61
						60
REF	-	C		454220-1	CAP, RAM	59
REF	-	D		453736-1	HOUSING	58
						57
						56
REF	-	B		240624-1	PIN, FEED FINGER	55
REF	-	B		691499-1	SPRING, FEED FINGER	54
REF	-	B		240635-1	FINGER, FEED	53
REF	-	B		240634-3	LEVER, TERMINAL	52
						51
						50
						49
1	-	B		690501-4	CAM, POST-FEED 1 5/8 ST	48
						47
						46
1	-	A		690191-1	PLUG, NYLON	45
1	-	C		455674-1	RAM	44
1	-	A		690125-1	WASHER, LAMINATED	43
1	-	A		690124-9	WASHER, RAM	42
1	-	A		7-21002-9	BOLT, CRIMPER (5/16-24x1.00)	41
1	-	A		23241-6	BALL, STEEL	40
1	-	A		690170-1	SPRING, COMPRESSION	39
1	-	C		690142-1	DISC, INSULATION	38
1	-	D		354777-1	WIRE DISC, PLASTIC	37
1	-	A		22480-5	WASHER, SPRING	36
1	-	B		690212-1	POST, RAM	35
						34
						33
1	-	D		458980-2	APPLICATOR, BASIC (SUB ASSY)	32
						31
						30
						29
1	-	B		3-690451-2	SPACER, STRIPPER	28
1	-	A		240639-1	STRIPPER	27
REF	-	C		455676-1	PLATE, BASE	26
2	-	A		22354-8	DRAG, STUD	25
1	-	B		455678-3	PLATE, STRIP GUIDE	24
1	-	C		240825-8	PLATE, STRIP HOLD DOWN	23
2	-	A		4-22281-1	SPRING, DRAG	22
						21
1	-	A		454177-1	DRAG, STOCK	20
						19
2	-	C		454204-4	GUIDE, STRIP (FRONT)	18
REF	-	A		454178-1	GUIDE, FEED ROD	17
REF	-	A		4-22284-9	SPRING, FEED RETURN	16
						15
1	-	B		455888-1	SPACER, CRIMPER	14
1	-	C		690481-2	SPACER, HOLD DOWN	13
1	-	A		23846-1	SPRING, HOLD DOWN	12
1	-	B		240644-5	PLATE, REAR SHEAR	11
2	-	C		2-240645-4	SPACER, SHEAR PLATE	10
1	-	B		240642-2	PLATE, FRONT SHEAR	9
1	-	D		690946-4	ANVIL	8
1	-	B		1-240651-9	BLADE, SLUG	7
1	-	D		455892-8	HOLD DOWN, TERMINAL	6
1	-	C		4-240641-6	SPACER, SLUG BLADE	5
1	-	B		238009-7	SPACER, BLOCK CRIMPER	4
1	-	C		456135-1	CRIMPER, INSULATION	3
1	-	B		455888-4	SPACER, CRIMPER	2
1	-	C		3-456410-5	CRIMPER, WIRE	1

QTY	REF	U/M	DWG SIZE	PART NO	DESCRIPTION	ITEM NO
-4		U/M				

QTY REOD PER ASSY		PARTS LIST	

CUSTOMER AND ASSEMBLY DRAWING