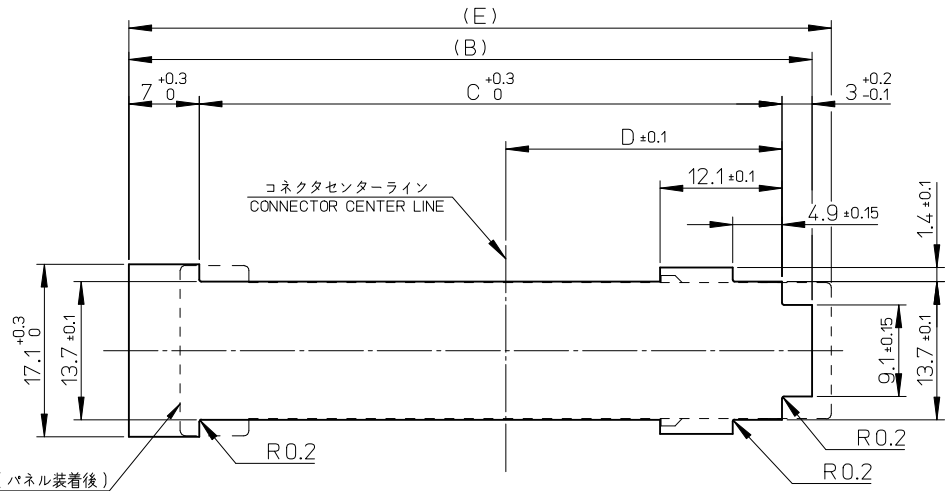
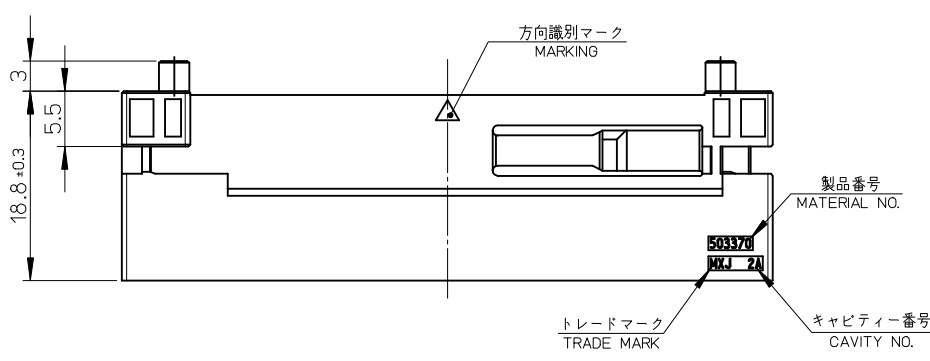
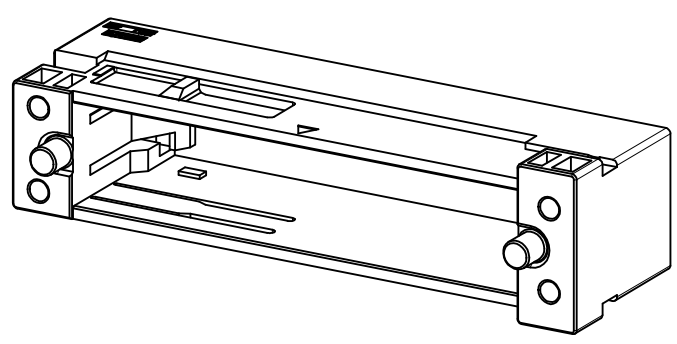
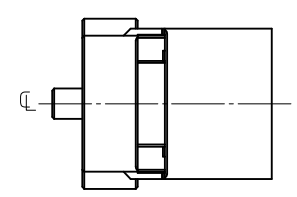
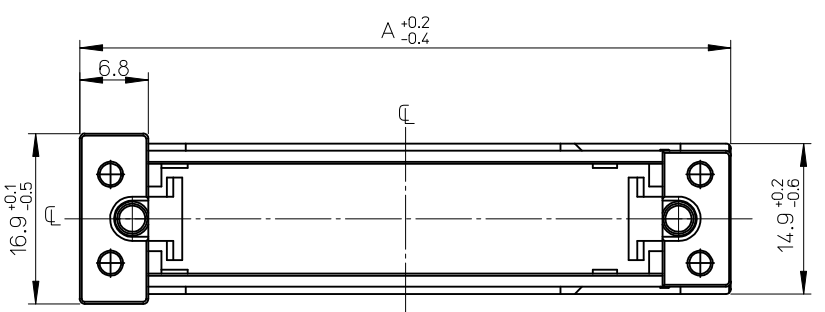


10 9 8 7 6 5 4 3 2 1



アダプター外形 (パネル装着後)
ADAPTOR OUT LINE (AFTER INSTALLED)

△ パネル切り欠き穴寸法 (パネル厚: 2.5 ± 0.1)
PANEL HOLE DIMENSION (THK=2.5 ± 0.1)

69.7	27.4	57.8	67.8	64.6	503370-3200	503370-**-00	32
54.7	19.9	42.8	52.8	49.6	503370-2000		20
E	D	C	B	A	PLASTIC BAG オーダー番号 ORDER No.	MODEL NO.	極数 CIRCUITS

注記:
NOTES

- 材質: ポリブチレンテレフタレート (PBT)、ガラス充填、UL94V-0、黒色
MATERIAL: POLYBUTYLENE TEREPHTHALATE (PBT), GLASS FILLED, UL94V-0, BLACK
- 適合ハウジング: 503369-**-00
APPLICABLE HOUSING: 503369-**-00
- △ パネル切り欠き穴のハウジング挿入側は、挿入性向上の為適度な面取りを設置してください。
PLEASE INSTALL CHAMFER ALONG THE PANEL HOLE OF HOUSING INSERTION SIDE.
- 製品仕様及び取り扱いについては、製品仕様書PS-503367-001及び、コネクタ取扱説明書AS-503367-001を参照願います。
PLEASE REFER TO PRODUCTS SPECIFICATION PS-503367-001 AND USER'S MANUAL AS-503367-001.
- ELV及びRoHS適合品。
ELV AND RoHS COMPLIANT.

RELEASED EC NO.: J2009-2286 DRWN: KWASHIO 2009/04/15 CHKD: SSAT003 2009/04/15 APPR: SICHIKAWA 2009/04/15 REV: O	DESCRIPTION GENERAL TOLERANCES (UNLESS SPECIFIED) 10 UNDER ±0.2 10 OVER 30 UNDER ±0.25 30 OVER ±0.3 ANGULAR ±3 ° DRAFT WHERE APPLICABLE MUST REMAIN WITHIN DIMENSIONS	DIMENSION STYLE MM ONLY DRAWN BY: KKOBAYASHI DATE: 09/04/15 CHECKED BY: SSAT003 DATE: 09/04/15 APPROVED BY: SICHIKAWA DATE: 09/04/15 MATERIAL NO.: SEE CHART	SCALE 2:1 DESIGN UNITS METRIC THIRD ANGLE PROJECTION	2.5 FLOATING CONN. PLUG ADAPTOR	
				MOLEX INCORPORATED	
				SD-503370-001	
				SHEET NO. 1 OF 1	