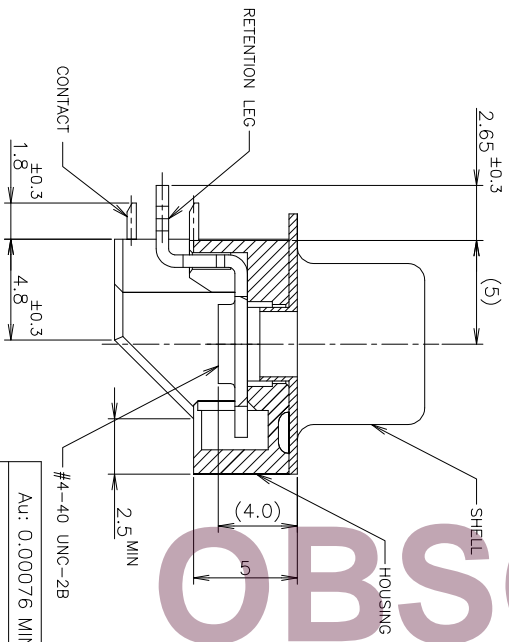
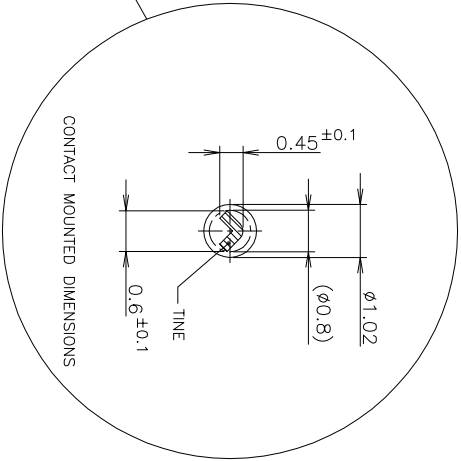
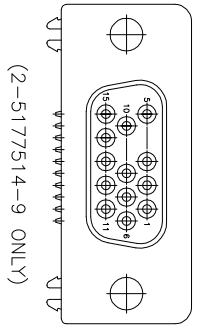
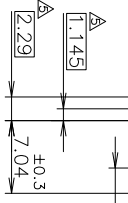
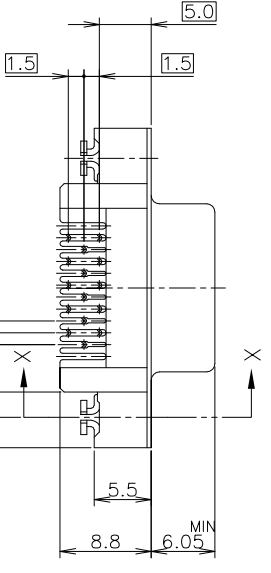
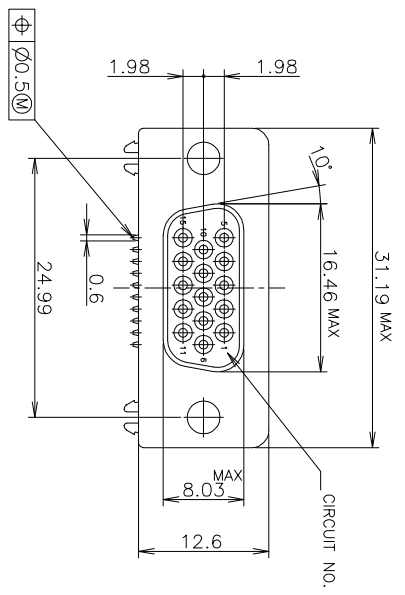
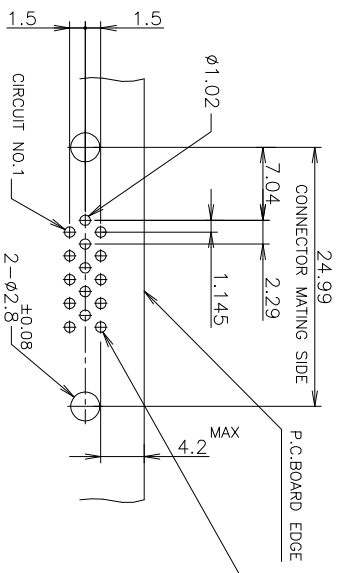


REV	DATE	BY	DESCRIPTION
1			RELEASED (ECR-05-001155)

REV	DATE	BY	DESCRIPTION
1			RELEASED (ECR-05-001155)



FINISH	QTY	REF
Au: 0.00076 MIN.	2-	-9
Au: 0.00038 MIN.	2-	-6
Au: 0.00076 MIN.		-9
Au: 0.00038 MIN.		-6



P. C. BOARD MOUNTING DIMENSIONS (±0.1)  
 THK=0.8~1.2

GENERAL TOLERANCE

10 ≥ : ±0.2  
 30 ≥ > 10: ±0.25  
 100 ≥ > 30: ±0.3  
 ANGLES : ±3°

THIS DRAWING IS A CONTROLLED DOCUMENT.

DIMENSIONS:	TOLERANCES UNLESS OTHERWISE SPECIFIED:
mm	±

MATERIAL	FINISH
SEE NOTE	SEE NOTE

APPROVALS	DATE
DMN LEO ZHOU	5APR95
CHK STEVEN YAO	5APR95
APPD T. ENOMOTO	5APR95

APPROVALS	DATE
DMN LEO ZHOU	5APR95
CHK STEVEN YAO	5APR95
APPD T. ENOMOTO	5APR95

tyco Electronics  
 Tyco Electronics AMP K.K.  
 Kawasaki, Japan

RECEPTACLE ASSY RIGHT ANGLE SIZE 1, 15P  
 LOW PROFILE STD-D P.C.B t=0.8~1.2 IR REFLOW  
 AMP/PLMITE III-J ULTRA SLIM HD-22

SIZE	QAGE CODE	DRAWING NO	RESTRICTED TO
A3	00779	5177514	

**OBSOLETE**  
 NOT the LATEST  
 REVISION