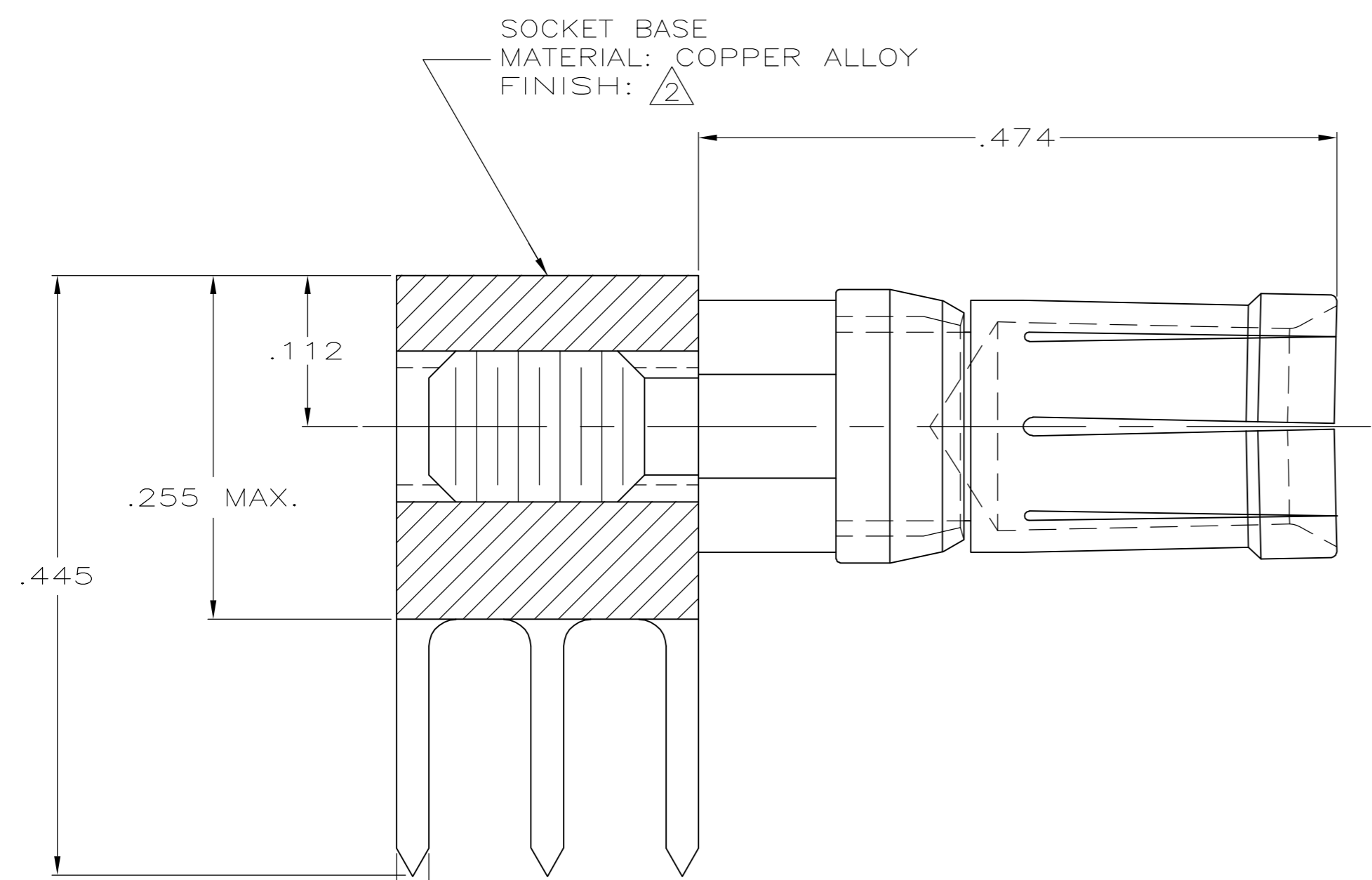
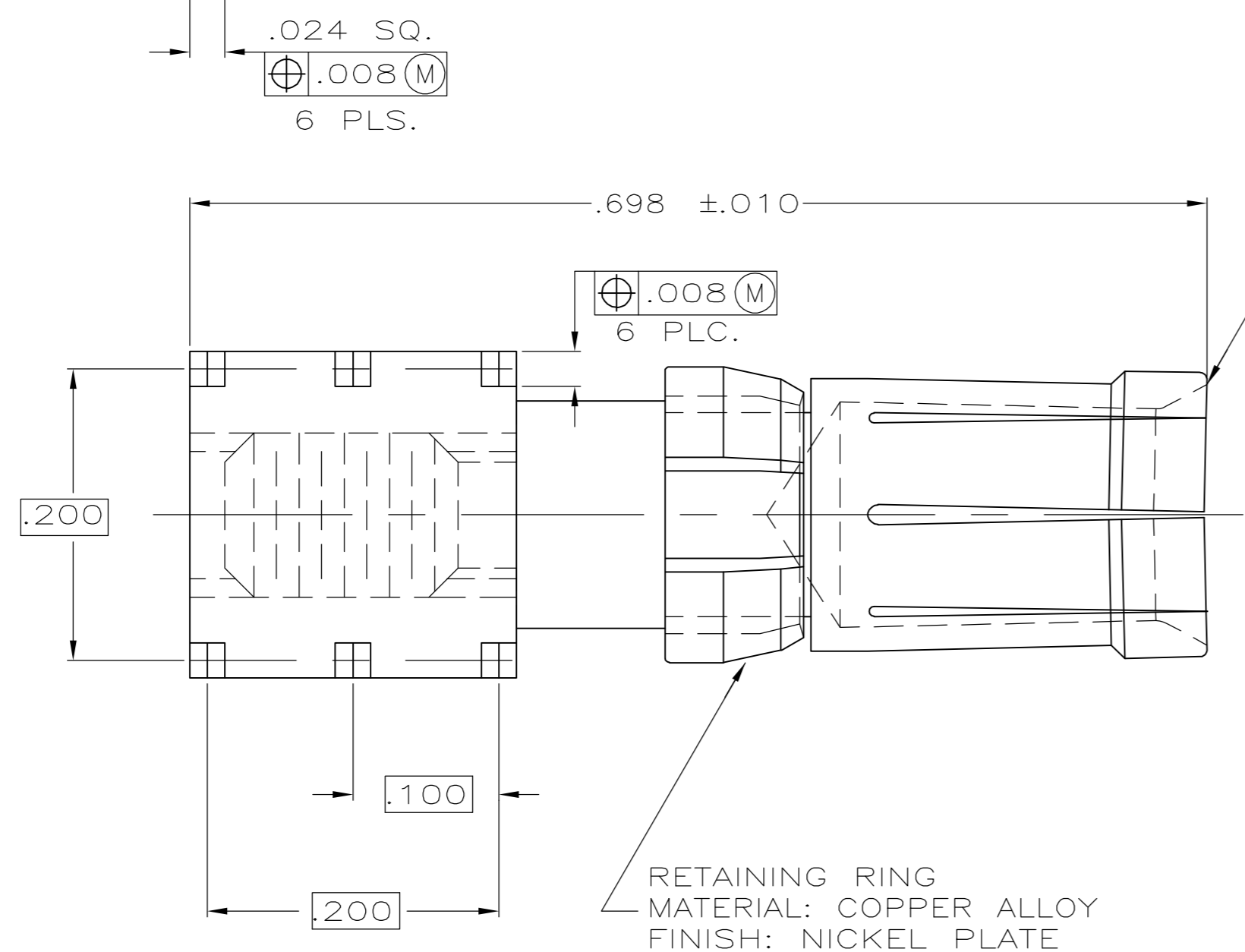


THIS DRAWING IS UNPUBLISHED. RELEASED FOR PUBLICATION
 © COPYRIGHT BY TYCO ELECTRONICS CORPORATION. ALL RIGHTS RESERVED.

LOC	DIST	REVISIONS			
P	LTR	DESCRIPTION	DATE	DWN	APVD
AD	25	0	RELEASED PER EC 0512-0634-04	19DEC05	JDP AMS



- ① SOCKET CONTACT FINISH : GOLD PLATE OVER NICKEL UNDERPLATE.
- ② SOCKET BASE FINISH : TIN PLATE OVER NICKEL UNDERPLATE.



SOCKET CONTACT MATERIAL: COPPER ALLOY FINISH: ①

RETAINING RING MATERIAL: COPPER ALLOY FINISH: NICKEL PLATE

5532823-2
PART NUMBER

THIS DRAWING IS A CONTROLLED DOCUMENT.		DWN	J. POLIGNONE	19DEC05	 Tyco Electronics Corporation Harrisburg, PA 17105-3608
DIMENSIONS: INCHES		CHK	A. SHARPE	19DEC05	
TOLERANCES UNLESS OTHERWISE SPECIFIED:		APVD	A. SHARPE	19DEC05	
0 PLC ± - 1 PLC ± - 2 PLC ± - 3 PLC ± .005 4 PLC ± - ANGLES ± - FINISH		NAME	A. SHARPE		
		PRODUCT SPEC	CONTACT, RECEPTACLE, RIGHT ANGLE, HDI, POWER, SOLDER		RESTRICTED TO
MATERIAL		APPLICATION SPEC	-		SCALE
FINISH		WEIGHT	-	SIZE	CAGE CODE
① ②		CUSTOMER DRAWING	A2	00779	DRAWING NO
		SCALE	10:1	C=5532823	SHEET
		SCALE	10:1	1 of 1	REV
				0	

5532823