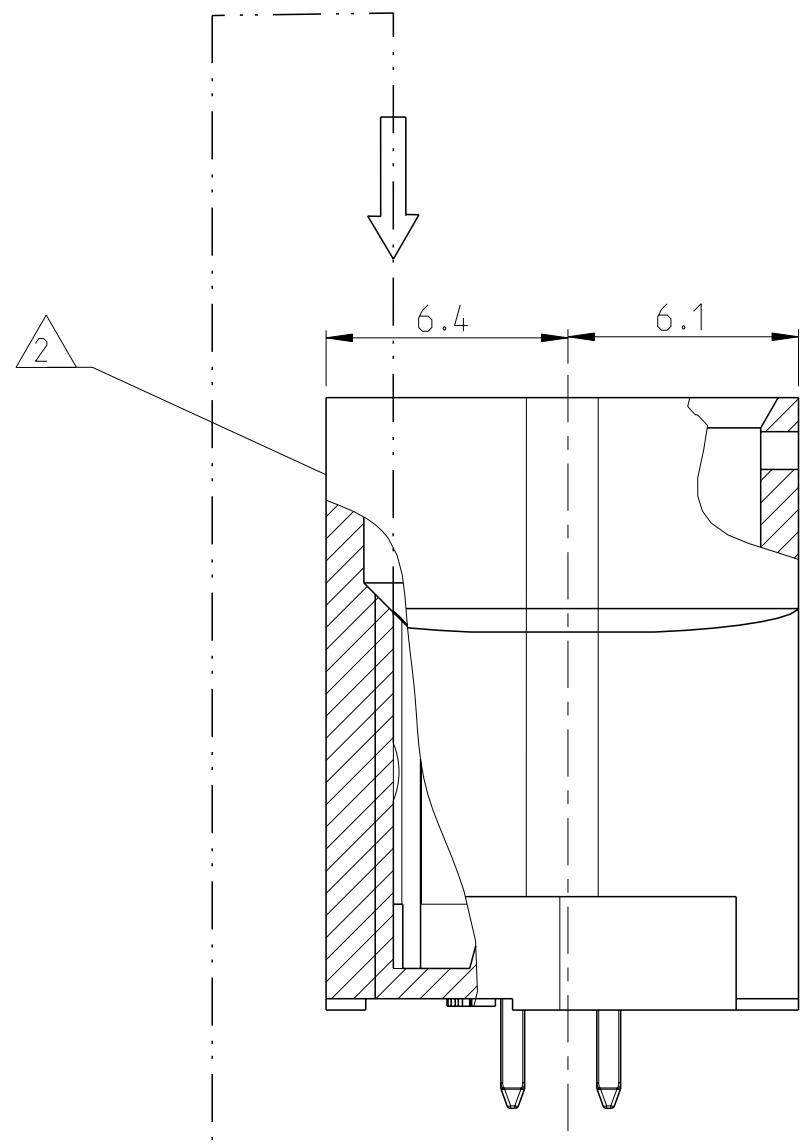
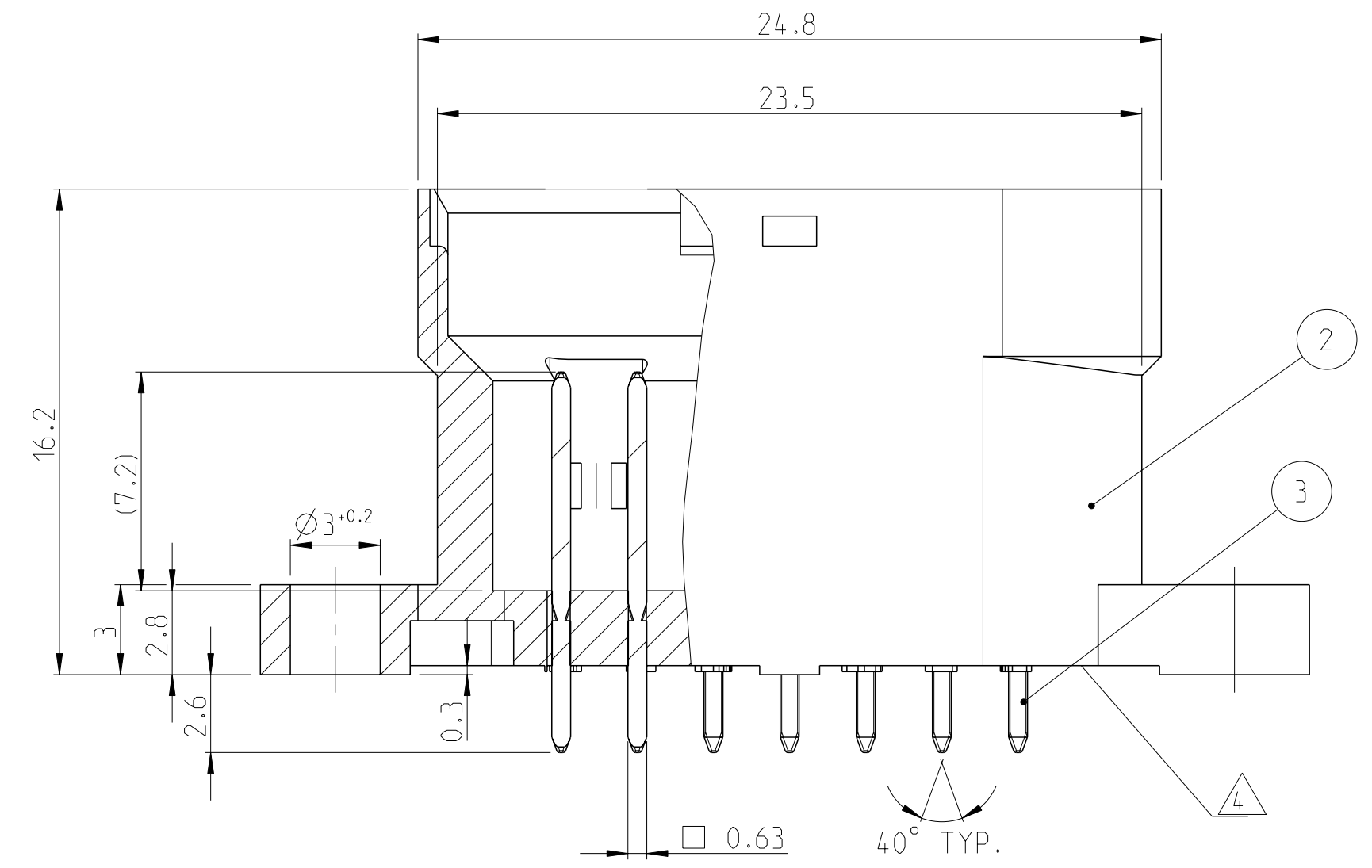
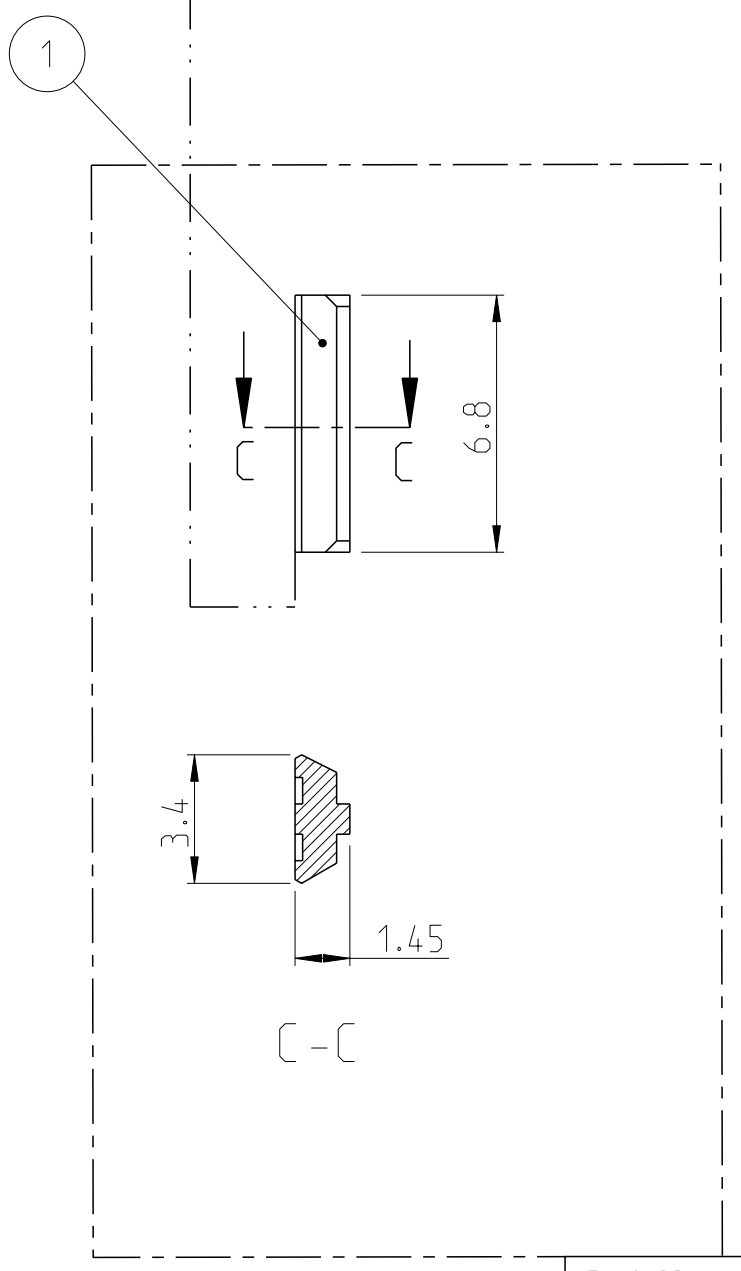
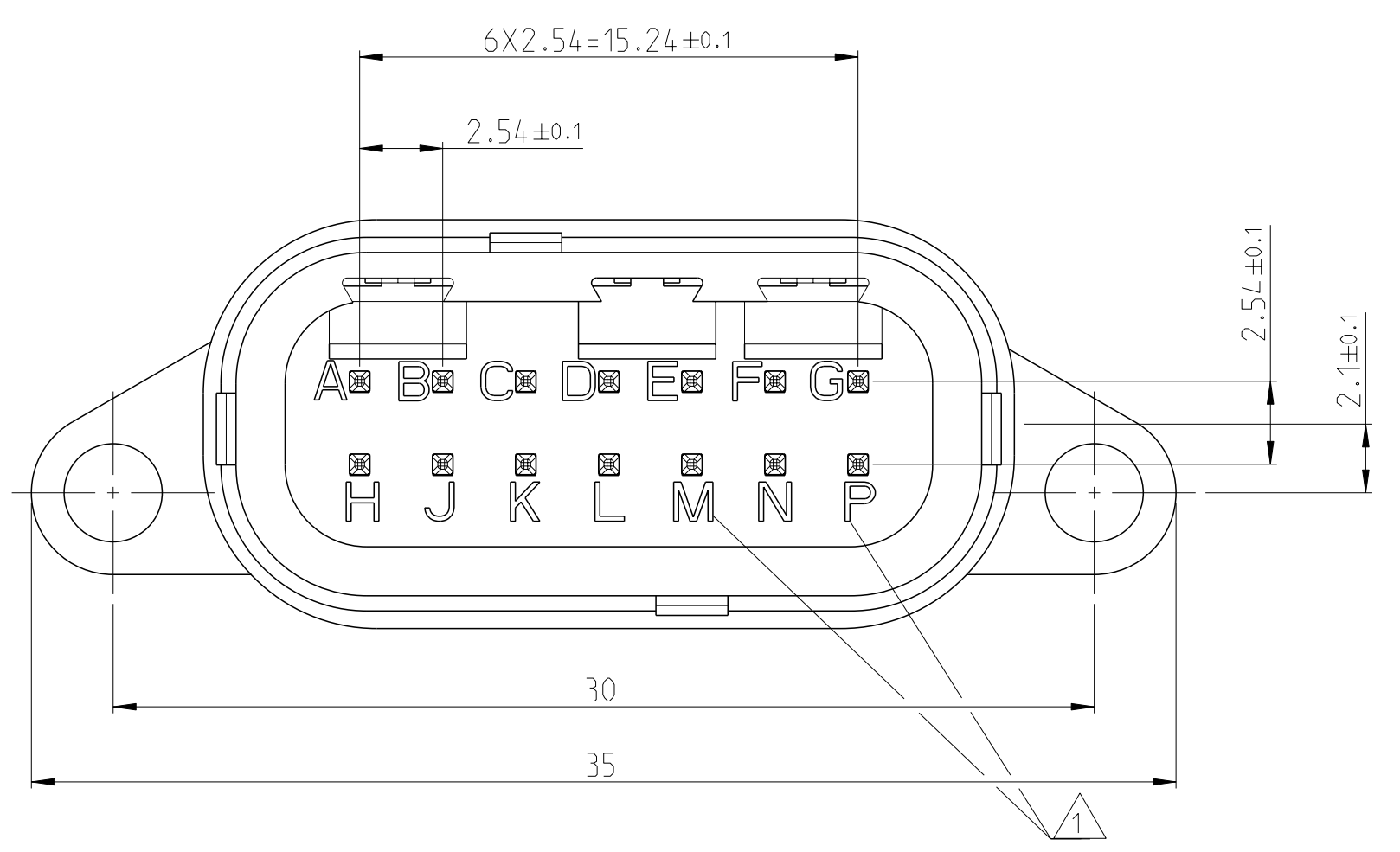
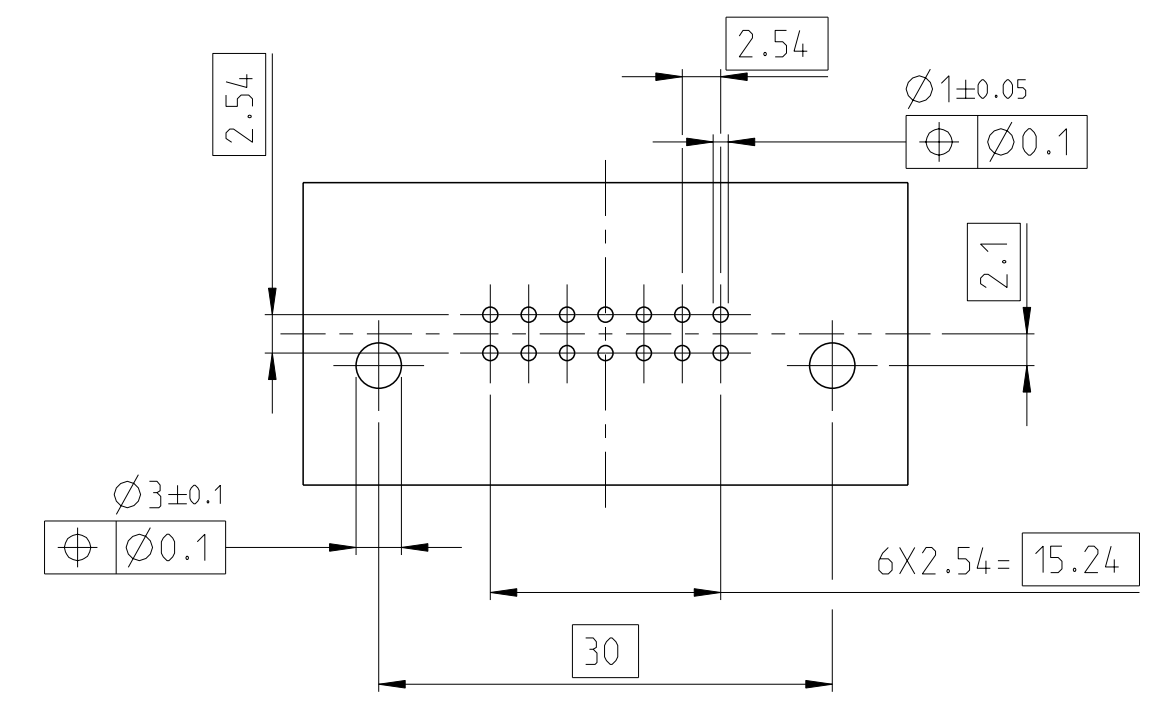


THIS DRAWING IS UNPUBLISHED. RELEASED FOR PUBLICATION 20
 © COPYRIGHT 20 BY - ALL RIGHTS RESERVED.

REVISIONS					
P	LTR	DESCRIPTION	DATE	DWN	APVD
L		CUSTOMER DRAWING REDRAWN	31DEC2013	KJK	JKS
M		MINOR DIM UPDATED	08APR2020	KL	YP
N		MINOR CLARIFICATION	08APR2020	LN	YP



RECOMMENDED PCB LAYOUT



NOTES:

- ① CONTACT IDENTIFICATION BY CHARACTERS 0.2 mm DEEP
- ② AMP LOGO, P/N, DATE CODE PRINTED IN BLACK
- ③ PLATING 0.8 μm MIN. GOLD OVER 1.2 μm NICKEL IN MATING AREA
3 TO 5 μm SN OVER 1.2 μm NICKEL IN SOLDER AREA
- ④ CONTACT IDENTIFICATION CHARACTERS RAISED 0.2 mm
- ⑤ TOTAL MASS 16 g MAX. MATED TO HOUSING 828290-X.
(FEMALE LOCKING CLIP CONTACTS NOT INCLUDED).
- ⑥ CODING KEY DELIVERED UN-MOUNTED, IN A PLASTIC BAG.

828265-1	3	14	CONTACT	CuSn 6	③
	2	1	HOUSING	MAKROLON 9415	WHITE
	1	2	CODING PIN	MAKROLON 9415	RED
PART NUMBER	ITEM NO.	QTY.	DESCRIPTION	MATERIAL	SURFACE/ FINISH

THIS DRAWING IS A CONTROLLED DOCUMENT.

DIMENSIONS: mm	TOLERANCES UNLESS OTHERWISE SPECIFIED: ±0.2	DWN KARTHIK, J.K. 24OCT2013	TE Connectivity
		CHK PRASHANTH, S. 24OCT2013	
		APVD JAYANTH KUMAR 24OCT2013	
		PRODUCT SPEC	
MATERIAL SEE TABLE	FINISH SEE TABLE	APPLICATION SPEC	NAME 2x7 POS. PIN HEADER FOR LOCKING CLIP
		WEIGHT	SIZE A2
		Customer Drawing	CAGE CODE -
			DRAWING NO C-828265
			RESTRICTED TO -
			SCALE 5:1
			SHEET 1 OF 1
			REV N