



- 100/1000 Base-T Gigabit
- 8 Port
- Operating Temperature Range: -40°C to + 85°C

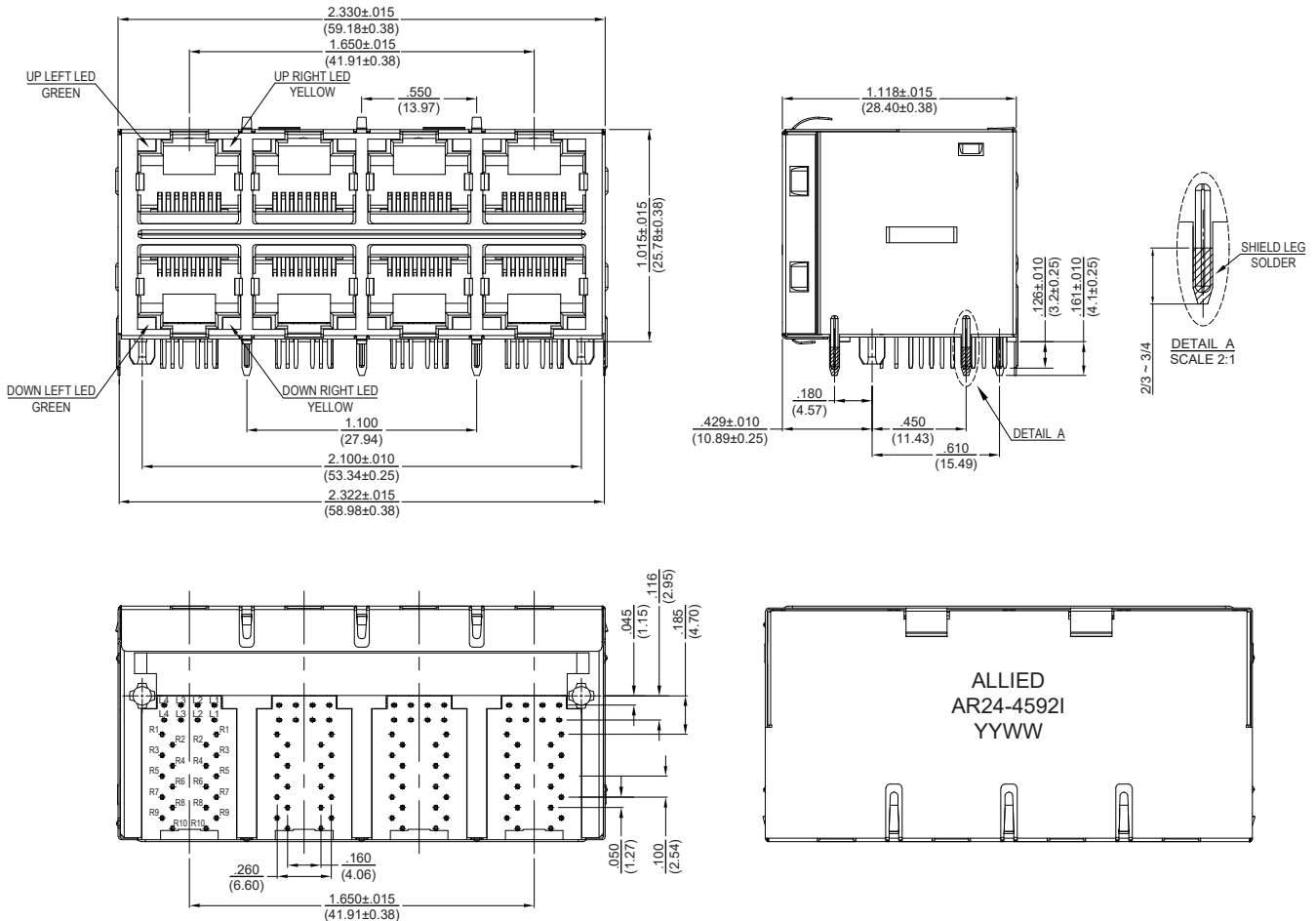
Electrical Specifications @ 25°C				
OCL(μH Min) @100KHz, 0.1V With 8mA DC Bias	Turns Ratio @100KHz (±5%)	Insertion Loss (dB Max)		Common Mode Rejection (dB Min)
		1-100 MHz	100-125MHz	1-100 MHz
350	1 : 1	-1.0	-1.2	-30

Electrical Specifications @ 25°C					
Cross Talk (dB Min)	Return Loss (dB Min)				Hi Pot Input - Output VAC / 1mA / 60S
	1-100MHz	1-30MHz	30-60MHz	60-80MHz	
-30	-18	-16	-12	-10	1500

All specifications subject to change without notice.

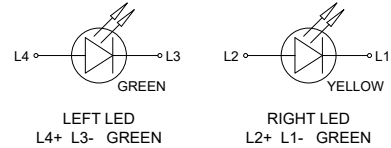
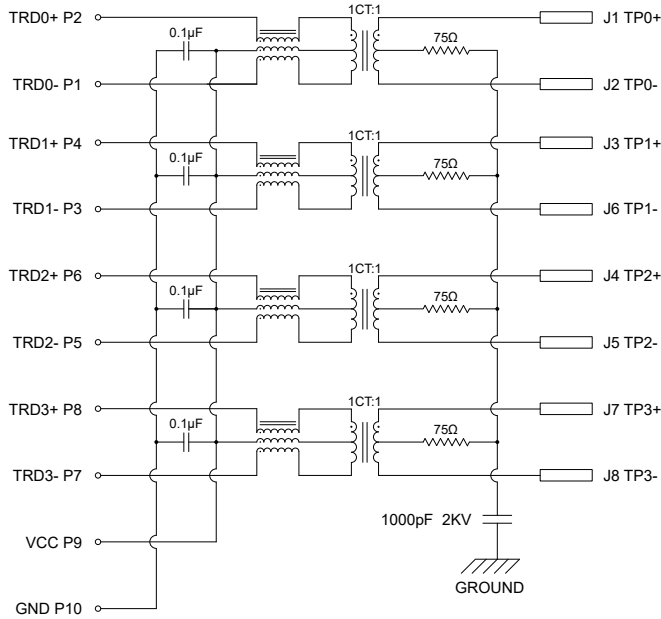
MECHANICAL

DIMENSIONS: ^{inch}
(^{mm})





SCHEMATICS

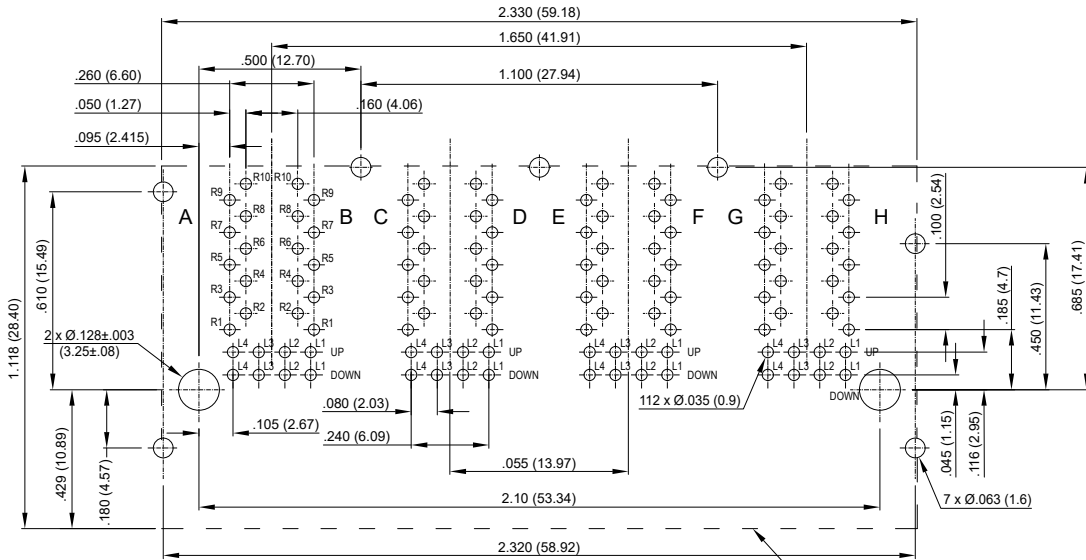


STANDARD LED	WAVELENGTH	FORWARD VOLTAGE
GREEN	565 nm	2.6V Max
YELLOW	585 nm	2.6V Max

With a forward current of 20mA

PCB LAYOUT

DIMENSIONS: inch (mm)



Unless otherwise specified, all dimensions tolerances are ±.002 (.05)

NOTES

- Front Shield:** Stainless T=0.20mm, unplating
- Back Shield:** Stainless T=0.20mm, Plating Nickel 20µ" Min
- Housing:** High Temperature Thermoplastic UL 94V-0, Color Black
- Contact Pin:** Thermoplastic UL94V-0, Color Black.
Pin: Phosphor Bronze T=0.30mm
Plating: Nickel 30µ" Min for All and Sn and Gold Plating 30µ"
- Insert Pin:** Thermoplastic UL94V-0, Color Black
Pin: Brass T=0.35mm
Plating: Sn over 30µ" Min Nickel