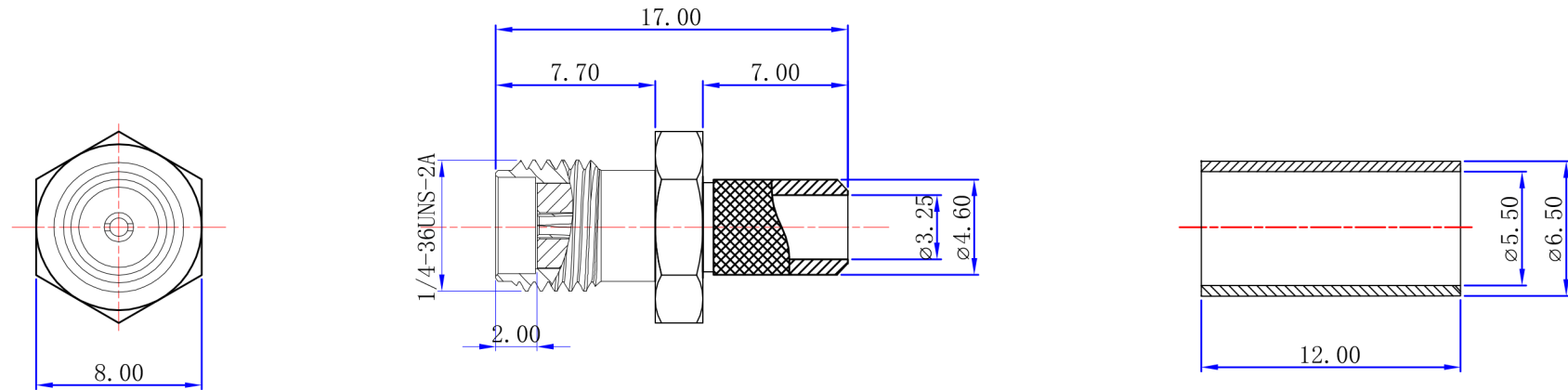




Product NO. BC-302-195

REV	DESCRIPTION	DWN	DATE	APPROVEN
R1.0	First issue	Gavin	2021/03/09	JIM.KING



Specifications:  
 IMPEDANCE: 50 Ohms  
 Frequency range: 0~6GHZ  
 VSWR: 1.5MAX  
 Working voltage: 500V rms @ sea level  
 Insulation resistance: 5000 MOhms min  
 Temperature range: -55°C TO +165°C

No	Connector color
BC-302-195-RD	Body electrophoresis: Red
BC-302-195-BL	Body electrophoresis: Blue
BC-302-195-BK	Body electrophoresis: Black

NO	DESCRIPTION	MATERIAL	FINISH	QTY
4	Copper pipe	BRASS	NICKEL	1
3	CONTACT PIN	BRASS	GOLD	1
2	INSULATOR	PTFE	NINE	1
1	BOOY	BRASS	Electrophoresis	1

-TOLERANCES-  
UNLESS OTHERWISE  
SPECIFIED

UNLESS OTHERWISE SPECIFIED  
TOLERANCES FOR MILLIMETERS ARE:  
 0.5 - 8mm ± 0.20mm  
 8 - 30mm ± 0.25mm  
 30 - 120mm ± 0.30mm



**BIG CAT CABLES**

PART DESCRIPTION: SMA JACK FOR LMR195 CABLE					
Appd: JIM.KING	P/N: BC-302-195				
Check:	Date	Scale	Unit	Type	Page
Draw: Gavin	2021.03.09	Free	MM	Z	1/1