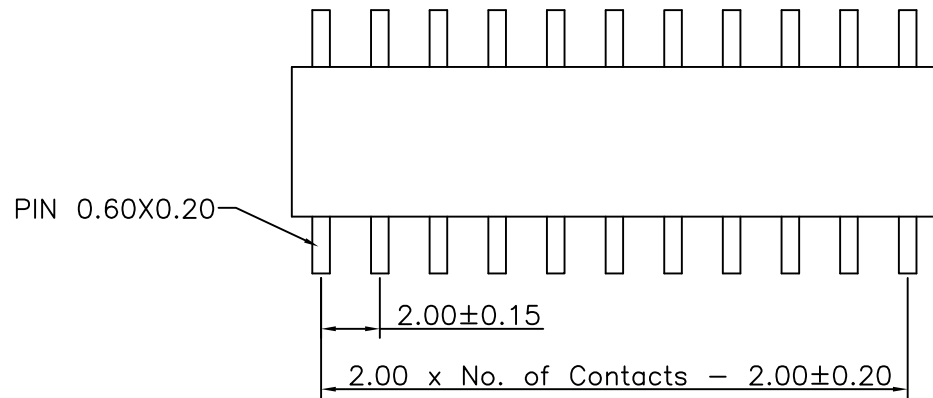
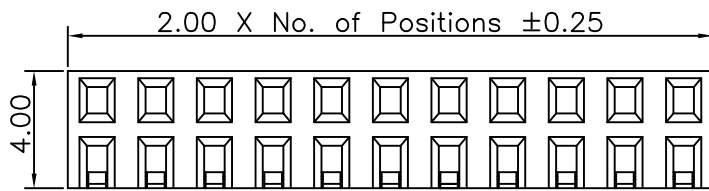
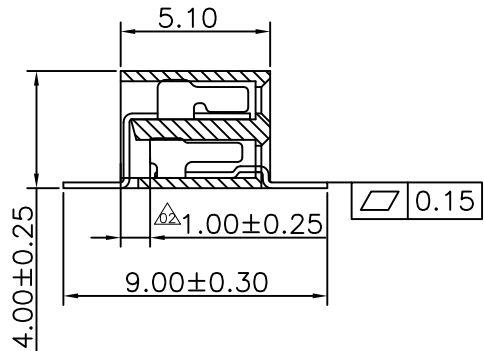


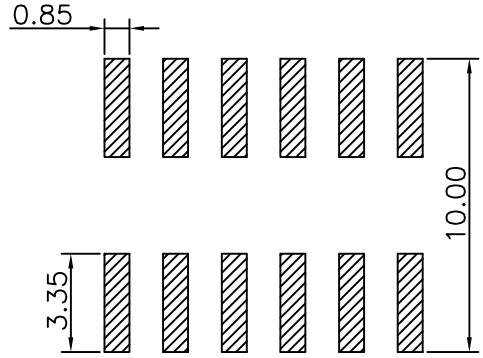
REV.	LOCAS.	DESCRIPTION	DATE	DRAWN
01	NEW	INITIAL RELEASE.	2010.01.08	謝金發
02	△	變更圖號並依客人要求增加管控尺寸	2011.09.28	黃小燕



Specifications
 Current Rating: 2Amp
 Insulation Resistance: 1000MΩMin.
 Dielectric Withstanding Voltage: 500VAC
 Contact Resistance: 20mΩMax.
 Operating Temperature: -40°C to +105°C
 Materials
 Contact Material: Phosphor Bronze
 Insulator Material: High Temperature Thermoplastic, UL 94V-0 Nylon 6T(無鹵) or the equivalent material
 All materials must meet Greenconn requirement for environment protection.



Recommended P.C.Board Layout
 (Tolerance: ±0.05)



Ordering Information

C SFC219 - XX XX A 001 R 1 A X

No. of Pins per Row 03~25
 Standard Plating 02=Gold Flash
 Selective Plating 01=Tin 05=Gold Flash/Tin
 Color 1=Black
 Standard Packing C=Tube
 Selective Packing D=Tape & Reel

格稜股份有限公司
Greenconn Corporation

GENERAL TOLERANCE		DESIGN: 黃小燕	DATE: 2011.09.28	DWG. NO. △ CSFC219-CA1RA	TITLE. 2.00 HEADER FEMALE DUAL ROWS SMT TYPE SIDE ENTRY
X.*±5.0°	X.±0.30	CHECKED: 劉北平	DATE: 2011.09.28	PART NO. CSFC219-XXXX A001R1AX	
.X*±3.0°	.X±0.25	AUDITED: 李輝	DATE: 2011.09.28		
.XX*±2.0°	.XX±0.15	APPROVED: cc_li	DATE: 2011.09.28		
.XXX*±1.0°	.XXX±0.10				

REV.	UNIT.	SCALE.	PAGE.
02	mm	4:1	1/1