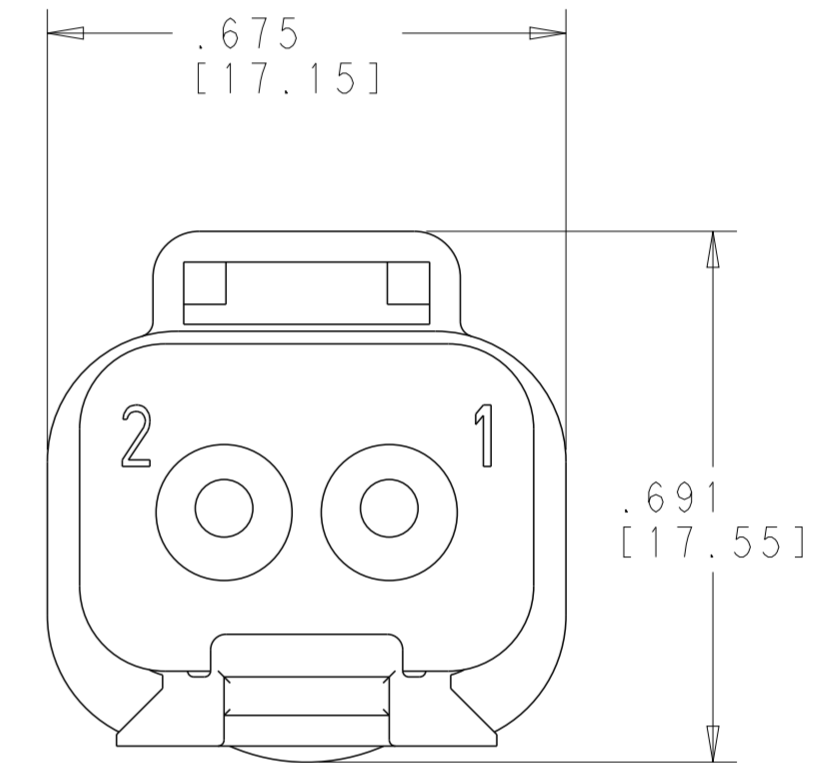
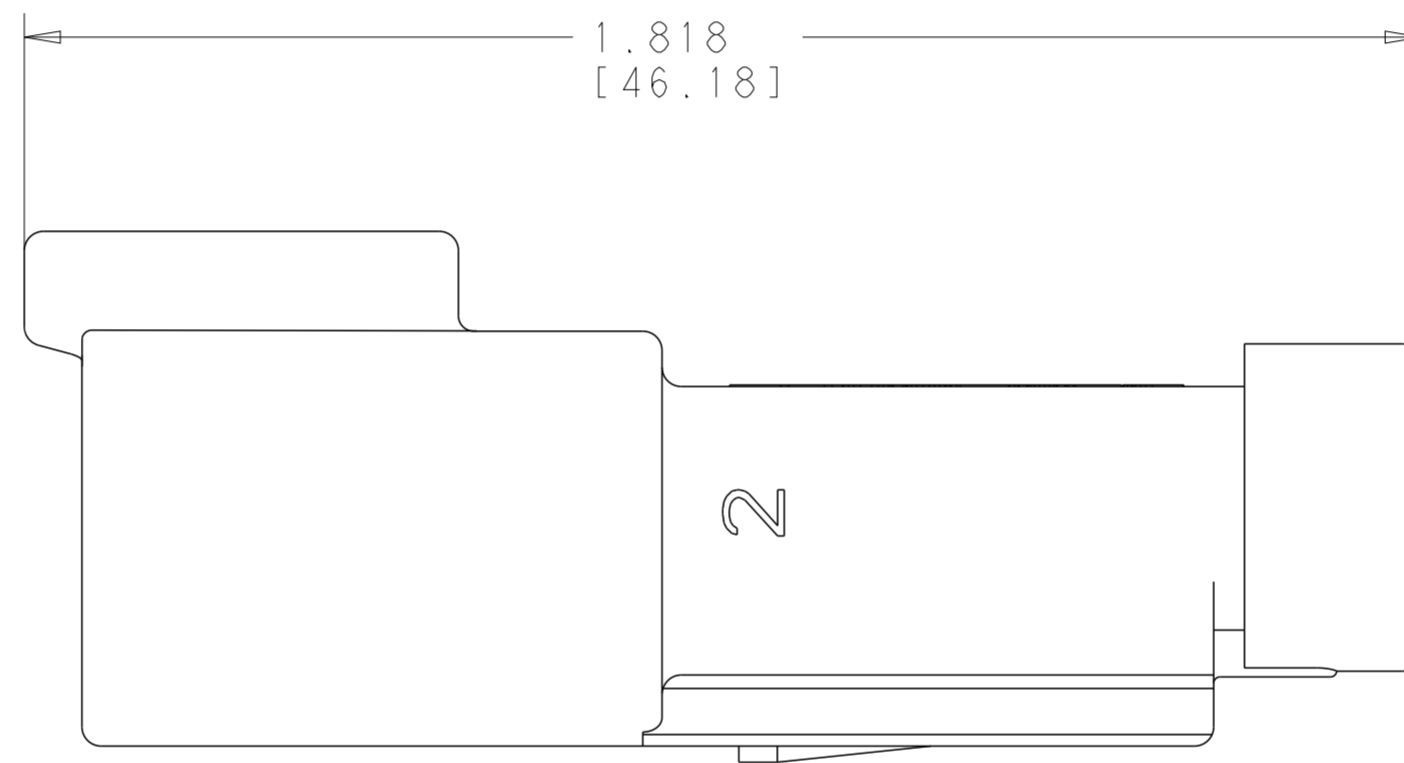
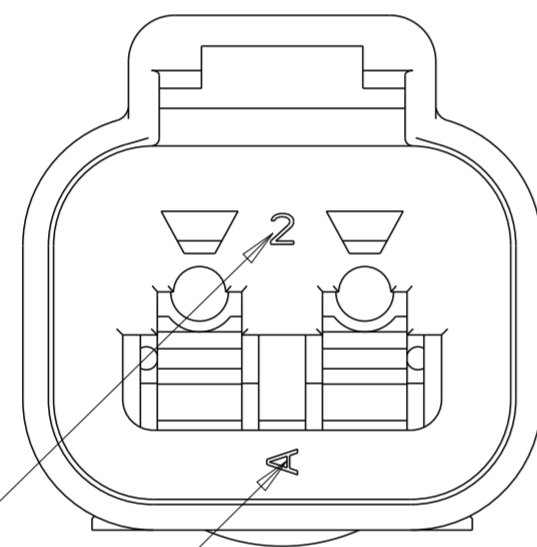


P	LTR	DESCRIPTION	DATE	DWN	APVD
NC		NEW RELEASE PER E.O. P18175	6/13/03		RDR
A		REVISED PER E.O. P19376	10/23/06		RDR
B		REVISED PER PCN-19-014481	26AUG2019	AP	IG



DATE CODE: MONTH REPRESENTED BY SEQUENTIAL ALPHA CHARACTERS. EX. A = JANUARY

DATE CODE: YEAR IS REPRESENTED BY LAST NUMERICAL DIGIT EX. 2 = 2012

2 MATERIAL: HOUSING: PA66 GF15 (GRAY)
CAP: PA66 GF15 (GRAY)
GROMMET: VMQ (RED-ORANGE)

1. THIS RECEPTACLE MATES WITH THE DT06-2S-**** PLUG.
(**** = ALL MODIFICATIONS).

NOTES:

TE INTERNAL PN	DEUTSCH PN
DT04-2P-C017	DT04-2P-C017

THIS DRAWING IS A CONTROLLED DOCUMENT.		DWN T. YOHANNES 03JUN03	STE TE Connectivity	
DIMENSIONS: INCHES [mm]		CHK B. BYFORD 10/10/06		
TOLERANCES UNLESS OTHERWISE SPECIFIED:		APVD S. BEARD 10/13/06	NAME 2 WAY RECEPTACLE BLOCKED DT SERIES	
0 PLC ±		PRODUCT SPEC 108-151009	SIZE CAGE CODE DRAWING NO	
1 PLC ±		APPLICATION SPEC 114-151009	RESTRICTED TO	
2 PLC ±		WEIGHT 5 GR	A200779 C-DT04-2P-C017	
3 PLC ±.025 [0.64]		CUSTOMER DRAWING	SCALE 4:1	SHEET 1 OF 1
4 PLC ±				REV B
ANGLES ±				
FINISH				