

MTE. | Latch clamps

Steel



MATERIAL

C10 zinc-plated steel.

RIVETS

Zinc-plated steel.

PULLING HOOK

Parallel to clamping arm, zinc-plated steel.

OSCILLATING PIN AND NUTS

Zinc-plated steel.

HANDLE

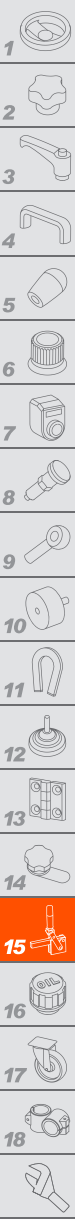
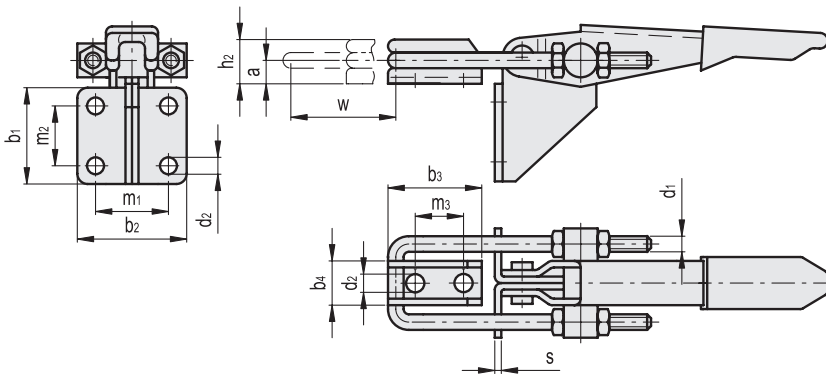
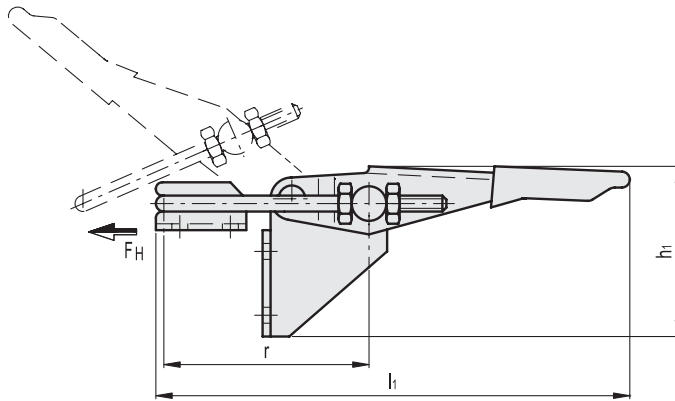
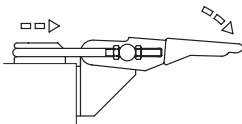
Polyurethane, red colour.

FEATURES AND APPLICATIONS

All articulated joints are lubricated with special grease.

MTE. clamps ensure tight closing of any cover.

The position of the pulling hook can be adjusted in length according to the specific applications.



METRIC

| Code | Description | a | b1 | b2 | b3 | b4 | d1 | d2 | h1 | h2 | l1 | m1 | m2 | m3 | r | s | Stroke w | FH [N]* | △ |
|----------|-------------|----|----|----|------|----|----|-----|------|----|-----|------|----|------|--------|-----|-------------|------------|-----|
| GG.AL560 | MTE.160-T4 | 5 | 26 | 35 | 25.5 | 14 | M4 | 4.3 | 40 | 10 | 99 | 22 | 13 | 14.3 | 48+58 | 2 | 32 | 1600 | 95 |
| GG.AL565 | MTE.320-T4 | 8 | 36 | 44 | 37 | 22 | M6 | 6.5 | 57.5 | 15 | 152 | 25.5 | 19 | 20.5 | 75+95 | 3 | 53 | 3200 | 295 |
| GG.AL570 | MTE.700-T4 | 13 | 52 | 54 | 48.5 | 26 | M8 | 8.5 | 82 | 23 | 225 | 36.5 | 32 | 27 | 98+122 | 3.5 | 64 | 7500 | 655 |

* Holding force.

