

100 kHz Air transducer



Model: A100A

P/N: H2KA100KA1CD00



A100A works as a signal transmitting and receiving unit. This ultrasonic transducer is suitable for non-contact level detection and proximity measurement. In particular, the transducer with the PVDF housing can operate under harsh chemical environment to measure the level of fluids, pastes, and coarse bulk materials.

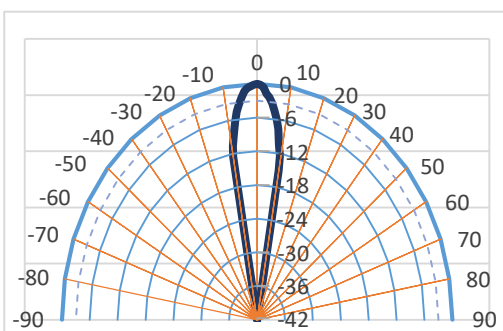
Features

- High performance
- High reliability
- PVDF housing
- FDA compliance
- Chemical resistance
- Waterproof IP68
- Patent pending

Major Application

- Level detection
- Proximity measurement

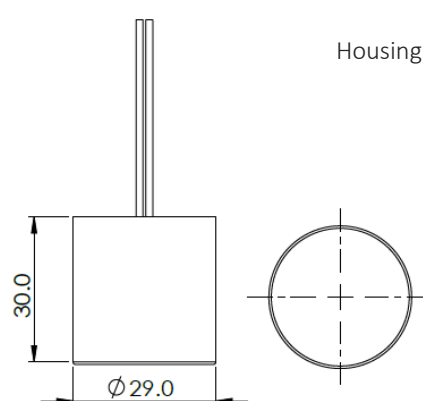
Directivity Diagram



Specifications

Operation Frequency	100 kHz
Capacitance (@ 1 kHz, 1Vrms)	1600 pF
Directivity (Full Angle @-3 dB)	10 Degree
Maximum Driving Voltage (2% Duty Cycle Tone Burst)	800 V _{p-p}
Maximum Sensing Range	400 cm
Blind Zone	< 20 cm
Dimension-OD	29.0 mm
Dimension-Height	30.0 mm
Wire	UL1430 #24 AWG ϕ 1.43mm

Dimensions



Unit: mm
Housing Material: PVDF



www.unictron.com

As Unictron continues to improve its products, all specifications are subject to change without notice. All specifications are typically measured at $25 \pm 3^\circ \text{C}$, 45 to 60% RH.