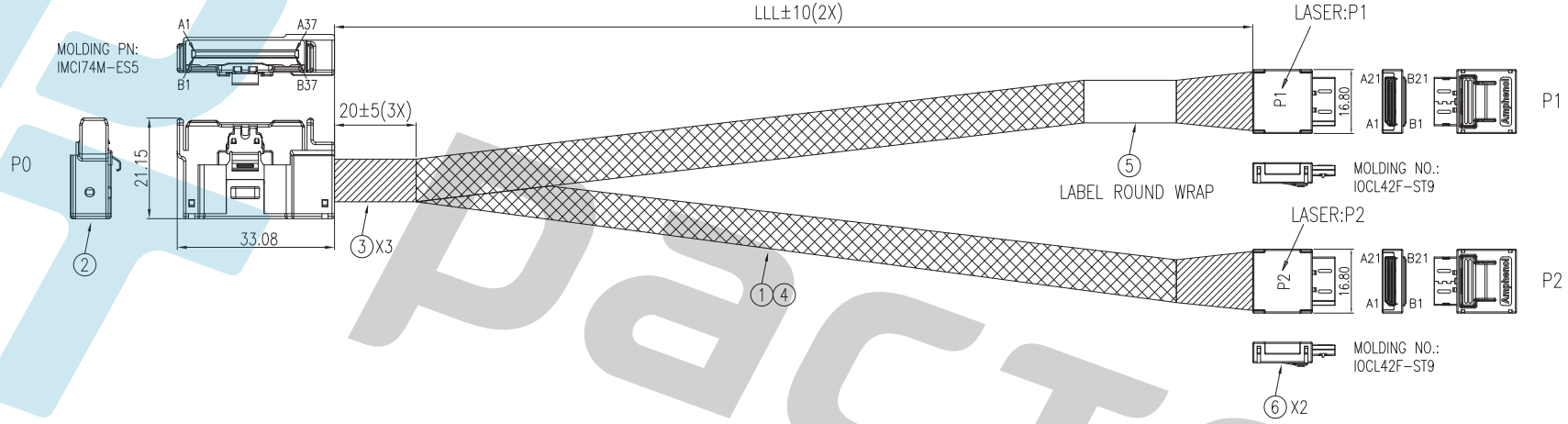


The marking on this product doesn't contain environmental hazardous, materials per directive 2011/65/EU for RoHS compliant.

REV.	DESCRIPTION	DRAWN	APPROVED	DATE
AX1	NEW DRAWING	A. ZAN	D. CHOI	2022.07.17

- NOTE:
- 1.THE CABLE ASSEMBLY SHALL BE MEET RoHS2.0 COMPLIANT.
 - 2.ELECTRICAL AND MECHANICAL PERFORMANCE SHALL MEET PCIE GEN4 SPECIFICATION.
 - 3.THE CABLE ASSEMBLY SHALL MEET BELOW IMPEDANCE REQUIREMENT:
TERMINATION AREA: 85±15% OHMS, CABLE ABSOLUTE AREA: 85±10% OHMS.



ITEM NO.	LENGTH (LLL)
MCIO38-LS-OCUx2-ST-5.0-025	250mm ± 15
MCIO38-LS-OCUx2-ST-5.0-400	400mm ± 15
MCIO38-LS-OCUx2-ST-5.0-050	500mm ± 15
MCIO38-LS-OCUx2-ST-5.0-075	750mm ± 15
MCIO38-LS-OCUx2-ST-5.0-100	1000mm ± 15

6	OCL42-0012	Oculink 4X STR with Active Latch,Black,V0,85ohm	2
5	HMLSB57262	LABEL:Synthetic paper,57*26MM,BLANK,WHT,R2,HF	1
4	HMTBD0XXXX	EXPANDO TUBE:BLACK,VW-1,HF	A/R
3	HMMTP0XXXX	TERYLENE CLOTH TAPE,BLK,HF	A/R
2	MCIO-74LS-07	MCIO 8X LSE V0,85ohm	1
1	HWSS320006	SAS CBL:UL20744,32#2C+2D+AM+HM,Tinned,BLU,850hm,VW-1,12G,HF	A/R
ITEM	VENDOR P/N	DESCRIPTION	QTY

GENERAL TOLERANCES	
.X:	± 0.5
.XX:	± 0.3
.XXX:	± 0.15
ANGULAR:	± 1°



Amphenol

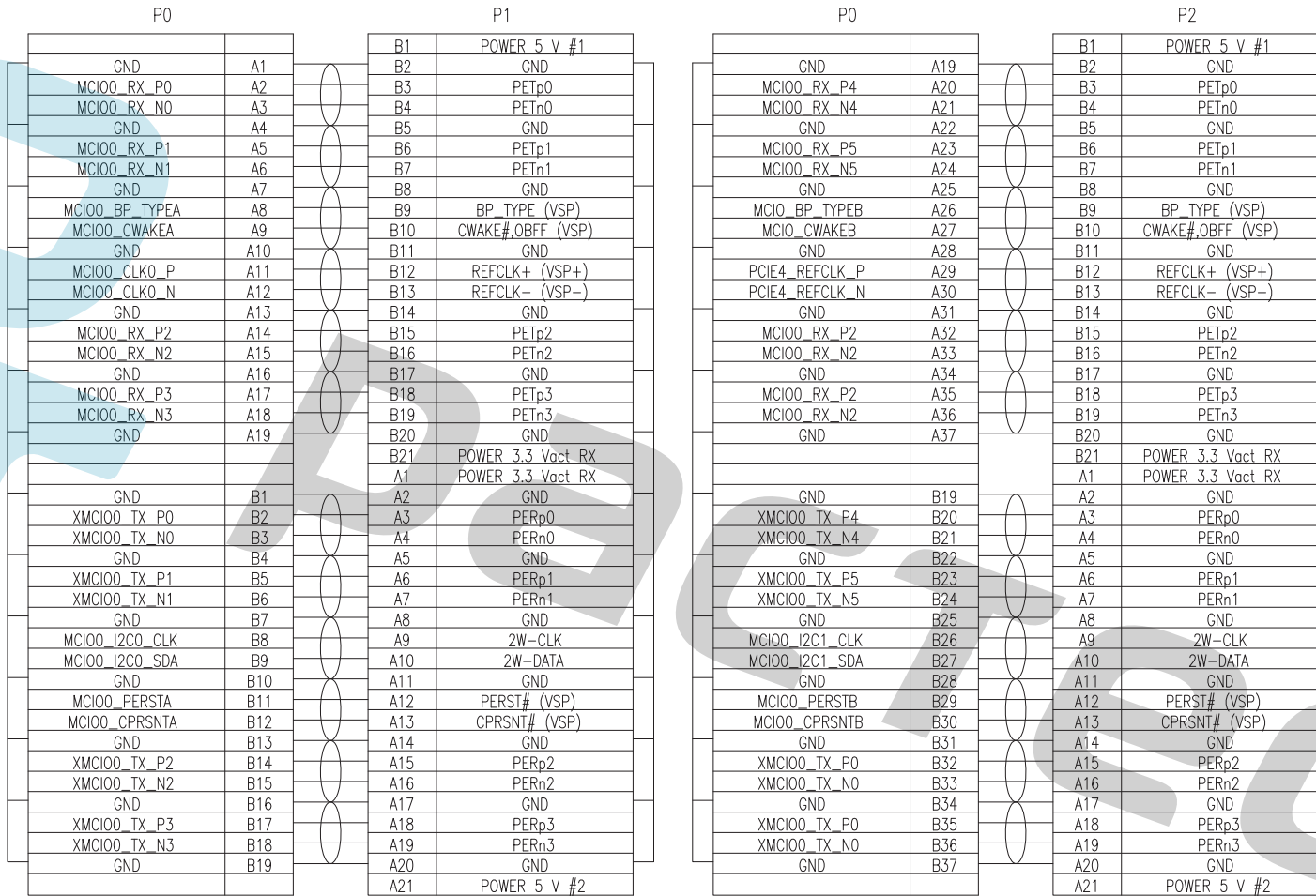
DRAWN:	A. ZAN	DATE:	07/17/2021
CHECKED:	D. CHOI	DATE:	07/17/2021
APPROVED:	D. CHOI	DATE:	07/17/2021

TITLE: MCIO 8X LSE TO 2X OCULINK 4X STR

SCALE: NONE SHEET 1 OF 2

UNIT: MM SIZE: A4 REV.: AX1

The marking on this product doesn't contain environmental hazardous, materials per directive 2011/65/EU for RoHS compliant.



WIRE DIAGRAM

GENERAL TOLERANCES	
.X:	± 0.5
.XX:	± 0.3
.XXX:	± 0.15
ANGULAR:	± 1°



DRAWN:	A. ZAN	DATE:	07/17/2021
CHECKED:	D. CHOI	DATE:	07/17/2021
APPROVED:	D. CHOI	DATE:	07/17/2021

Amphenol

TITLE: MCIO 8X LSE TO 2X OCULINK 4X STR



SCALE:	NONE	SHEET 2 OF 2
UNIT:	MM	SIZE: A4
REV.:	AX1	