

Model No.: PLS-75F25AL02-08
 Product Line: Tymphany

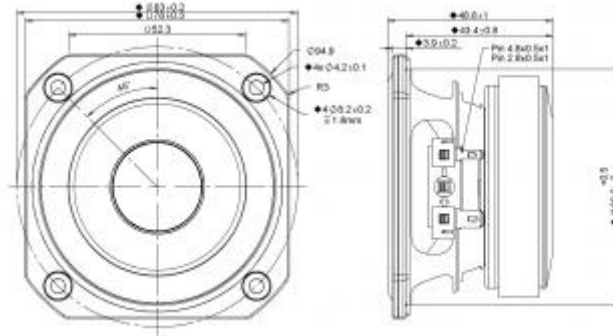
Rev: 1
 Last Update: 2017-04-25 14:32:09

Product Description

This 3 inch 8 ohm member of the PLS family sets a high standard, for compact full range drivers intended for applications such as television soundbars and compact music systems. Design features in this family include a stiff steel basket with venting under the spider to aid cooling of the motor, a ferrite magnet motor with copper cap to lower coil inductance, providing low distortion at low frequencies and extended high frequency response. A black anodized aluminium cone is employed on the driver, along with a black anodized aluminium dust cap coupled directly to the voice coil. Additionally, the cones come equipped with special-designed large roll rubber surrounds, which allow for a dynamic linear response to high excursion input signals.



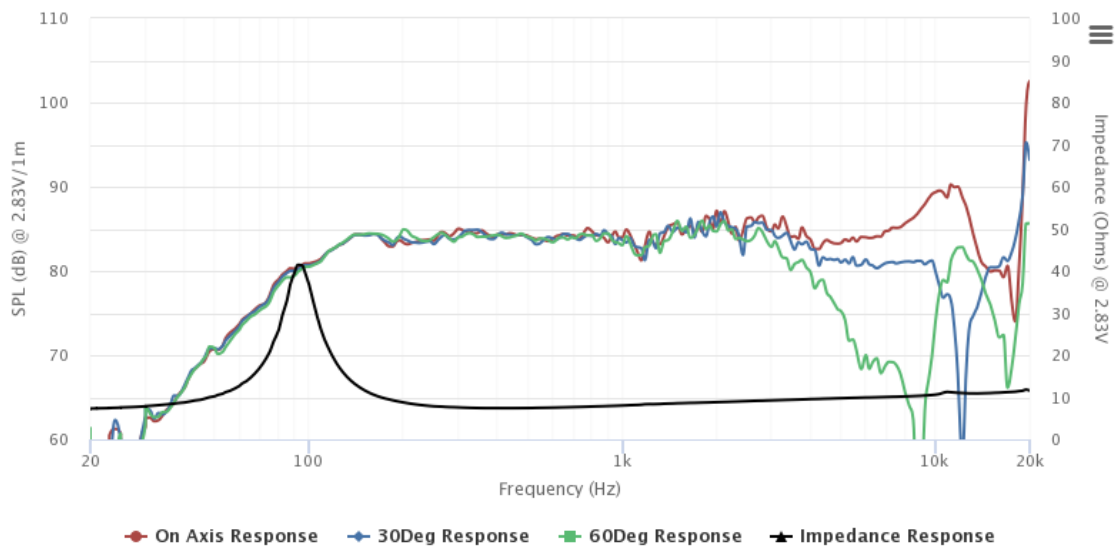
Mechanical Drawing



Specifications

DC Resistance	Revc	Ohms	6.33	5.0%	Energy Bandwidth Product	EBP	(1/Qes)*fs
Minimum Impedance	Zmin	Ohms	7.42	7.5%	Moving Mass	Mms	g
Voice Coil Inductance	Le	mH	0.05		Suspension Compliance	Cms	um/N
Resonant Frequency	Fs	Hz	104.81	15%	Effective Cone diameter	D	cm
Mechanical Q Factor	Qms		4.71		Effective Piston Area	Sd	cm^2
Electrical Q Factor	Qes	0.89			Effective Volume	Vas	L
Total Q Factor	Qts		0.75		Motor Force Factor	BL	Tm
Ratio Fs/Qts	F	Fs/Qts	139.93		Motor Efficiency Factor	β	(T*M^2)/Ohms
Half Space Sensitivity @2.83V	db@2.83V/1M	dB	84.37	+/- 1.0db	Voice coil former Material	VCfm	ASV
Half Space Sensitivity @1W/1M	db@1W/1M	dB	84	+/- 1.0db	Voice coil inner diameter	VCd	mm
Gap Height	Gh	mm	4		Rated Noise Power	P	W
Maximum Linear Excursion	Xmax	mm	2.1		Test Spectrum Bandwidth		100Hz~20KHz
Ferrofluid Type	FF				Driver Size	Inch	3 in
Driver Mass	Kg	0.38					

Frequency and Impedance Response



Highcharts.com