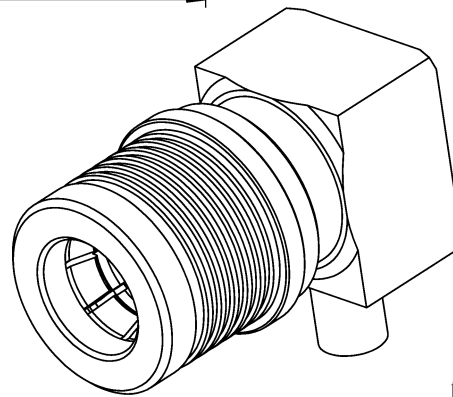
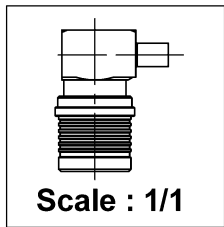
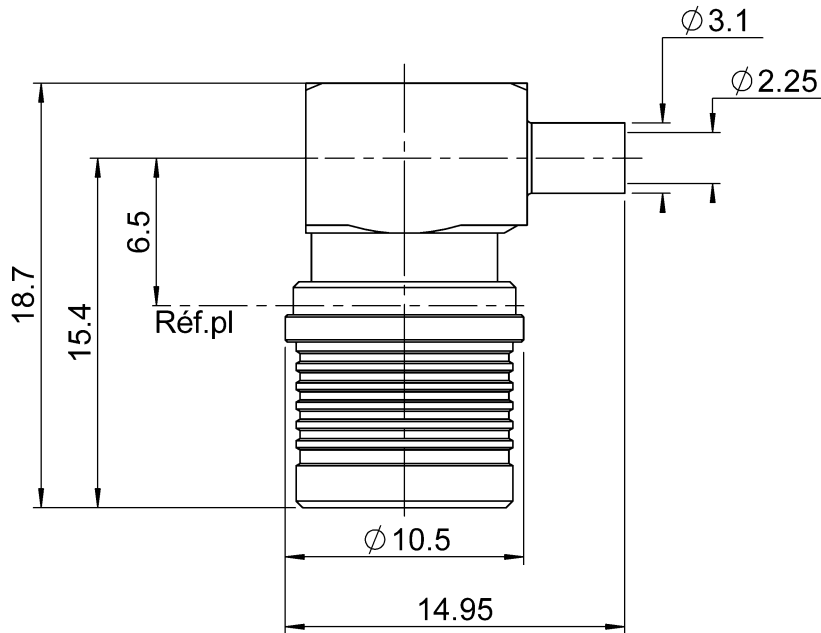
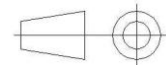


| | | | |
|----------|-----------------|------------|------------------------|
| PAGE 1/2 | ISSUE 15-05-15F | SERIES QMA | PART NUMBER R123153000 |
|----------|-----------------|------------|------------------------|



All dimensions are in mm.



| COMPONENTS | MATERIALS | PLATING (µm) |
|----------------|---------------|--------------|
| Body | BRASS | BBR |
| Center contact | BRASS | NPGR |
| Outer contact | BRONZE | BBR |
| Insulator | PTFE | |
| Gasket | - | |
| Others parts | BRASS | BBR |
| - | - | - |
| - | - | - |

| | | | |
|-----------------|------------------------|-------------------|-------------------------------|
| PAGE 2/2 | ISSUE 15-05-15F | SERIES QMA | PART NUMBER R123153000 |
|-----------------|------------------------|-------------------|-------------------------------|

PACKAGING

| Standard | Unit | Other |
|------------|-------------------|-------------------|
| 100 | Contact us | Contact us |

ELECTRICAL CHARACTERISTICS

| | | |
|---------------------------------|----------------------|--------------------------|
| Impedance | 50 | Ω |
| Frequency | 0-6 | GHz |
| VSWR | 1.10 + 0.0200 | x F(GHz) Maxi |
| Insertion loss | .05 | \sqrt{F} (GHz) dB Maxi |
| RF leakage | - (***80) | - F(GHz)) dB Maxi |
| Voltage rating | 250 | Veff Maxi |
| Dielectric withstanding voltage | 750 | Veff mini |
| Insulation resistance | 5000 | M Ω mini |

MECHANICAL CHARACTERISTICS

| | | |
|----------------------------|---------------|-------------|
| Center contact retention | | |
| Axial force – Mating End | 18 | N mini |
| Axial force – Opposite end | 27 | N mini |
| Torque | NA | N.cm mini |
| Recommended torque | | |
| Mating | NA | N.cm |
| Panel nut | NA | N.cm |
| Clamp nut | NA | N.cm |
| A/F clamp nut | 0.0000 | mm |
| Mating life | 100 | Cycles mini |
| Weight | 7.9000 | g |

ENVIRONMENTAL

| | | |
|-----------------------|-----------------|--------------------|
| Operating temperature | -40/+105 | $^{\circ}\text{C}$ |
| Hermetic seal | NA | Atm.cm3/s |
| Panel leakage | NA | |

SPECIFICATION

CABLE ASSEMBLY

| Stripping | a | b | c | d | e | f |
|-----------|-------------|----------|----------|----------|----------|----------|
| mm | 3.17 | 0 | 0 | 0 | 0 | 0 |

Assembly instruction: **Solder 02**

Recommended cable(s)
BELN YQ40246
RG 405
KS 1

Characteristics indicated on this data sheet are those that can be achieved with the highest performance cable. Intrinsic limitations of the cable may diminish the performance of the assembly

Cable retention

| | | |
|------------|------------|--------|
| - pull off | 130 | N mini |
| - torque | NA | N.cm |

TOOLING

| Part Number | Description | Hexagon |
|-------------|----------------------|---------|
| R282051000 | STRIPPING TOOL | |
| R282063000 | POINTER GAUGE | |
| R282740000 | SOLDERING MOUNTING | |
| R282744240 | SOLDERING POSITIONER | |

OTHER CHARACTERISTICS

****Intermod. : -120dBc at 1.8GHz (2x20W)**
*****RF leakage(interface) 3<F<6GHz: >70dB**