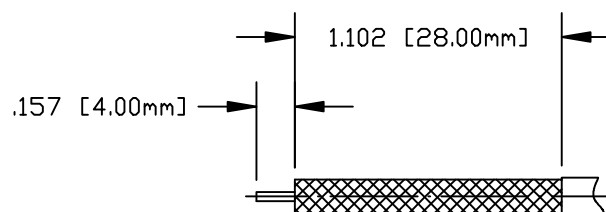
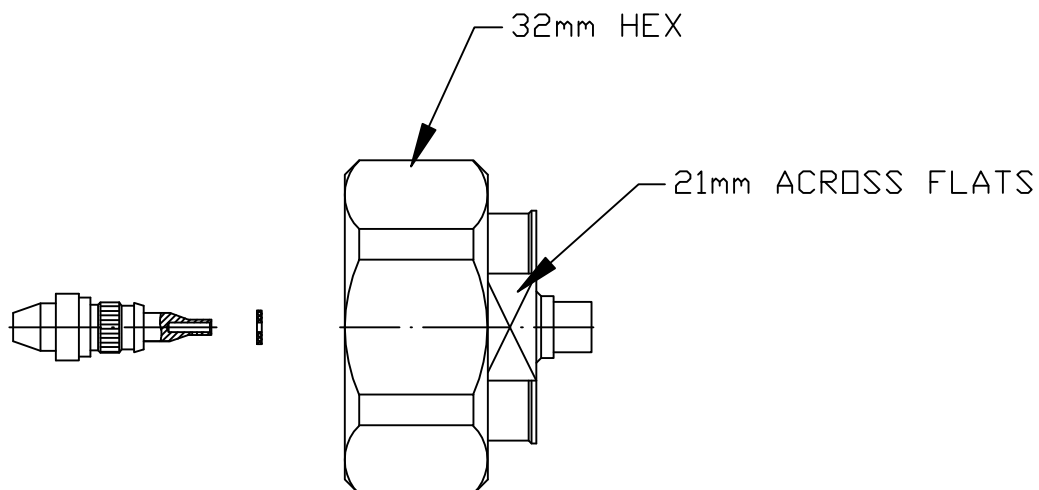


PART NO.

**RFD-1601-SR2**

| REV | DESCRIPTION         | DWN | DATE     | APPROVED |
|-----|---------------------|-----|----------|----------|
| -   | ENGINEERING RELEASE | CZS | 02/24/14 | JDMc     |



TFT-402 CABLE

SPECIFICATIONS:

IMPEDANCE: 50 Ohms  
 FREQUENCY RANGE: 0-3 GHz  
 VSWR: <1.5:1 @ DC 3 GHz  
 INSERTION LOSS: -0.1dB @ 3 GHz  
 TEMPERATURE RANGE: -55°C TO 165°C

| # | DESCRIPTION    | QTY | MATERIAL | FINISH       |
|---|----------------|-----|----------|--------------|
| 6 | HEX NUT        | 1   | BRASS    | WHITE BRONZE |
| 5 | O-RING         | 1   | SILICONE | RED          |
| 4 | INSULATOR DISC | 1   | PTFE     | WHITE        |
| 3 | PIN            | 1   | BRASS    | SILVER       |
| 2 | INSULATOR      | 1   | PTFE     | WHITE        |
| 1 | BODY           | 1   | BRASS    | WHITE BRONZE |

CUSTOMER  
OUTLINE DRAWINGALL DIMENSIONS  
ARE REFERENCE ONLYUNLESS OTHERWISE SPECIFIED:  
DIMENSIONS ARE IN INCHES  
AND [MILLIMETERS]

|                        |          |
|------------------------|----------|
| DRAWN<br>JDM           | 10/22/15 |
| CHECKED                |          |
| ORJ DRAWN<br>C. ZUNIGA | 02/24/14 |

PROPRIETARY AND CONFIDENTIAL  
 THIS DRAWING CONTAINS  
 INFORMATION PROPRIETARY TO  
 RF INDUSTRIES. ANY  
 UNAUTHORIZED USE OF THIS  
 DRAWING IS EXPRESSLY  
 PROHIBITED WITHOUT WRITTEN  
 PERMISSION FROM RF  
 INDUSTRIES. ANY VIOLATION IS  
 PUNISHABLE UNDER U.S.  
 COPYRIGHT LAWS.

**RFconnectors**  
 DIVISION OF RF INDUSTRIES, LTD.

7610 MIRAMAR RD.  
 SAN DIEGO, CA 92126  
 (858) 549-6340  
 (858) 549-6345 FAX

**7/16 DIN PLUG**

| SIZE          | CABLE GROUP               | DWG NO.             | REV |
|---------------|---------------------------|---------------------|-----|
| A             | SR2                       | <b>RFD-1601-SR2</b> | —   |
| SCALE:<br>NTS | ENGINEERING ID:<br>001787 | SHEET 1 OF 1        |     |