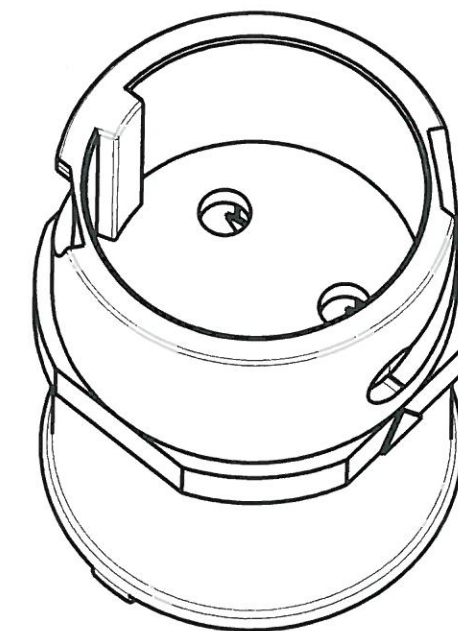
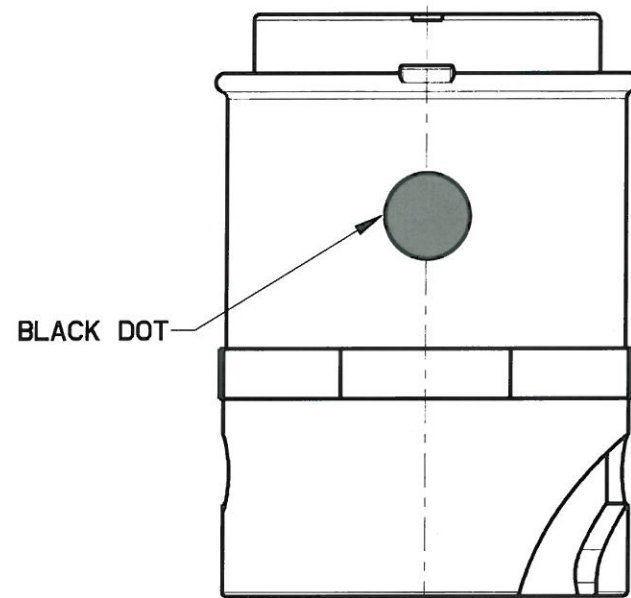
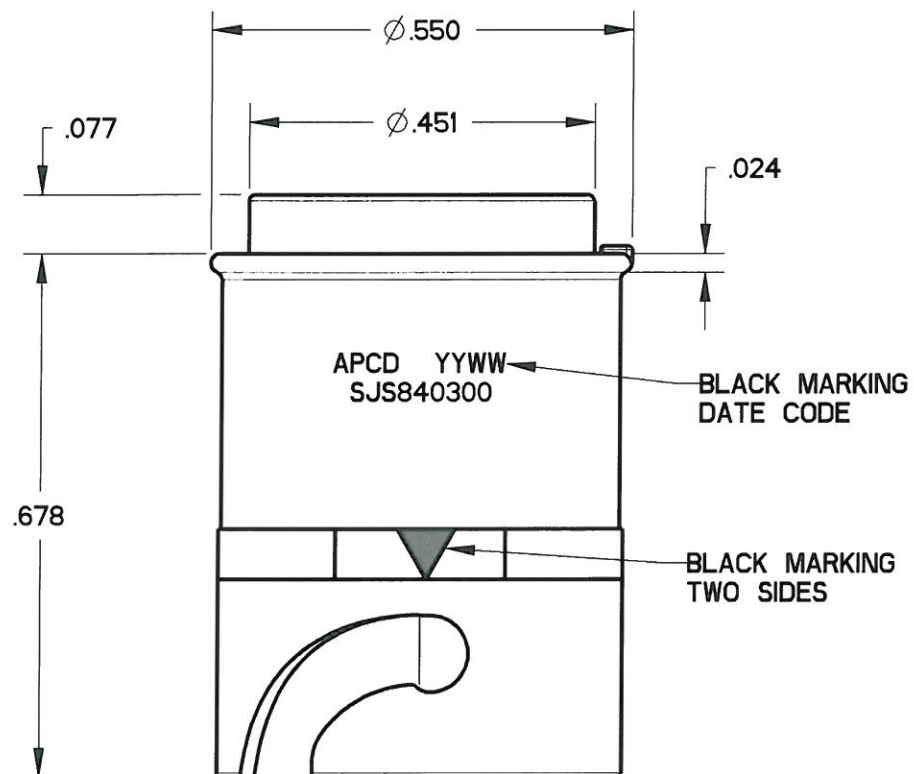
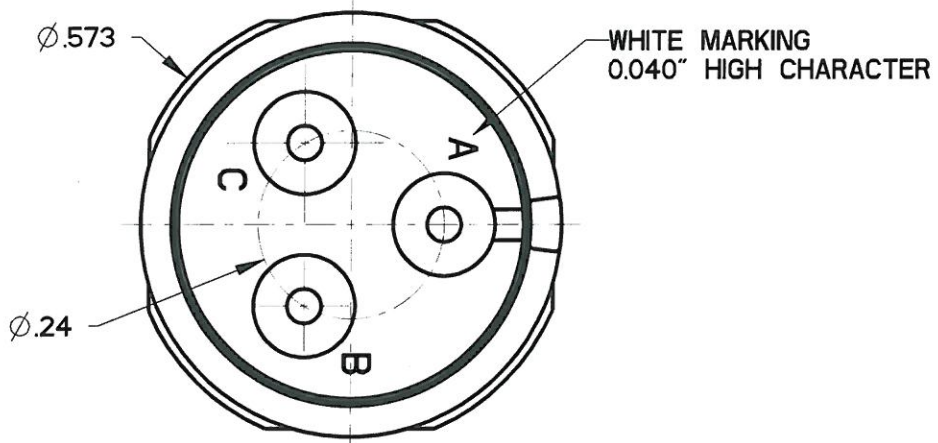


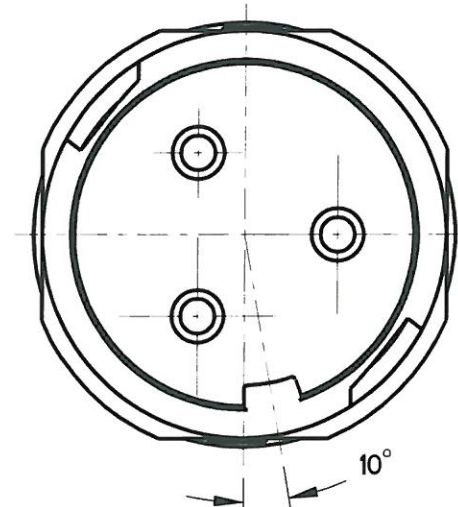
REV	ECN	APP'D
A	6428	JT 10/28/09
B	6473	JT 2/8/10
C	6564	<i>[Signature]</i> 8/6/10



SJS840300

SJS840300

- NOTES:
- MATERIALS:
HOUSING: PA6/6
CONTACT RETAINER: STAINLESS STEEL
GROMMET: SILICONE RUBBER PER A-A-59588
 - ACCEPTS M39029/58-364 PIN CONTACT (NOT INCLUDED)
 - PART MATES WITH SJS840310
 - WEIGHT: 1.9 GRAMS
 - SUPPLIED WITH DUST CAP



DIMENSIONS ANSI Y14.5M UNITS: INCHES Pro/E FILE	TOLERANCES .XX ±0.01 .XXX ±0.005 ANGLES ±1.0°	PROJECTION 	Amphenol Pcd SPECIFICATION DRAWING		TITLE 3P SZ16 INLINE WHITE RECEPTACLE FOR SJS		
			ENGR Frank.Li 02-Mar-09	CHKD <i>[Signature]</i> 8/6/10	APPD <i>[Signature]</i> 8/6/10	SIZE B	DWG NO. SJS840300_CE
ORIGINAL 	THIS DOCUMENT CONTAINS PROPRIETARY INFORMATION WHICH IS THE CONFIDENTIAL PROPERTY OF AMPHENOL PCD INC., BEVERLY, MA			CODE: 58982	SCALE: 4:1	SHEET 1 OF 1	