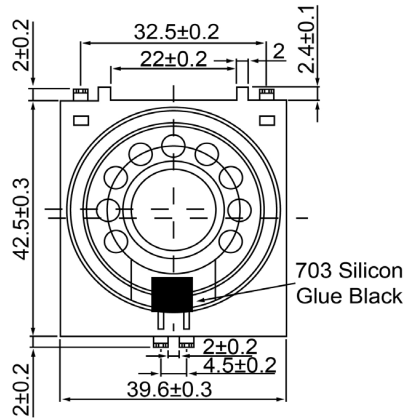
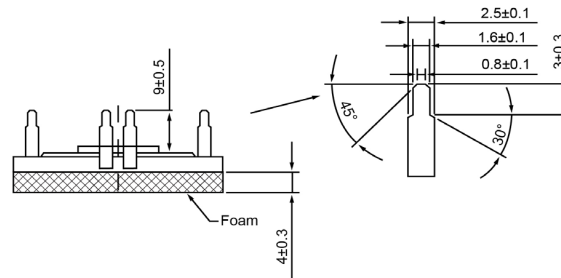


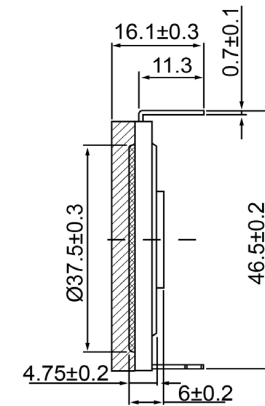
TOP VIEW




SIDE VIEW (1)



SIDE VIEW (2)



Specifications			Notes	Revision History					
Description	Value	Unit		Version	Description		Date	Approved	
Shape	Rectangle		1) All dimensions are in mm unless otherwise noted 2) All parts meet RoHS  DB UNLIMITED	1	Released from Engineering		2/8/2014	J.S.	
Resonant Frequency	600	(Hz)							
Frequency Range	600 ~ 5,000	(Hz)							
SPL @ 10cm	93	(dBA)							
Impedance	8	(Ohm)							
Cone Material	Polyetherimide								
Nominal Power	1.0	(W)							
Max Power	1.5	(W)							
Mount Type	Thru Hole								
Operating Temperature	-40 ~ +85	°C							
Storage Temperature	-40 ~ +85	°C							
Weight	9	(g)							
				<b>High Temp Dynamic Speaker</b>		<b>SM420608-1</b>			
				Drawn by	Date	Checked by	Date	Approved by	Date
				G.W.	1/27/2014	C.E.	2/5/2014	J.S.	2/8/2014

Additional considerations can be found at [www.dbunlimitedco.com/technical-articles](http://www.dbunlimitedco.com/technical-articles).