

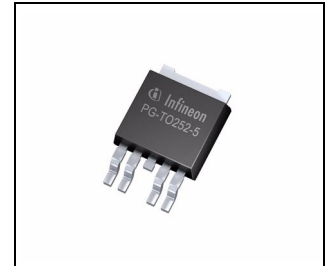
OPTIREG™ Linear TLS850C2TEV33

Low Dropout Linear Voltage Regulator



Features

- Wide input voltage range from 3.0 V to 40 V
- Fixed output voltage 3.3 V
- Output voltage accuracy $\leq \pm 2\%$
- Output current capability up to 500 mA
- Ultra low current consumption, typical 20 μA
- Very low dropout voltage, typical 120 mV at output currents below 100 mA
- Stable with ceramic output capacitor of 1 μF
- Reset output
- Overtemperature shutdown
- Output current limitation
- Wide temperature range
- Green Product (RoHS compliant)



Potential applications

- Automotive or other supply systems that are connected to the battery permanently
- Automotive supply systems that need to operate in cranking condition

Product validation

Qualified for automotive applications. Product validation according to AEC-Q100/101.

Description

The OPTIREG™ Linear TLS850C2TEV33 is a linear voltage regulator with high performance, very low dropout voltage and very low quiescent current.

With an input voltage range of 3 V to 40 V and very low quiescent current of only 20 μA , this regulator is perfectly suitable for automotive or other supply systems permanently connected to the battery.

The new loop concept combines fast regulation and very high stability while requiring only one small ceramic capacitor of 1 μF at the output. At output currents below 100 mA the device has a very low dropout voltage of only 120 mV. The operating range starts at an input voltage of only 3 V (extended operating range). This makes the TLS850C2TEV33 suitable for automotive systems that need to operate during cranking condition.

The reset feature supervises the output voltage, including undervoltage reset and delayed reset at power-on.

Internal protection features such as output current limitation and overtemperature shutdown, protect the device from immediate damage caused by failure such as output shorted to GND, overcurrent or overtemperature conditions.

External components

An input capacitor C_1 is recommended to compensate for line influences. The output capacitor C_O is necessary for the stability of the regulating circuit. The TLS850C2TEV33 is designed to be stable with low ESR ceramic capacitors.

Type	Package	Marking
TLS850C2TEV33	PG-TO252-5	850C2V33

Table of contents

	Features	1
	Potential applications	1
	Product validation	1
	Description	1
	Table of contents	3
1	Block diagram	4
2	Pin configuration	5
2.1	Pin assignment TLS850C2TEV33	5
2.2	Pin definitions and functions TLS850C2TEV33	5
3	General product characteristics	6
3.1	Absolute maximum ratings	6
3.2	Functional range	7
3.3	Thermal resistance	8
4	Block description and electrical characteristics	9
4.1	Voltage regulation	9
4.2	Typical performance characteristics voltage regulator	12
4.3	Current consumption	15
4.4	Typical performance characteristics current consumption	16
4.5	Reset function	17
4.6	Typical performance characteristics reset	20
5	Application information	21
5.1	Application diagram	21
5.2	Selection of external components	21
5.2.1	Input pin	21
5.2.2	Output pin	21
5.3	Thermal considerations	22
5.4	Reverse polarity protection	22
5.5	Further application information	22
6	Package information	23
7	Revision history	24

Block diagram

1 Block diagram

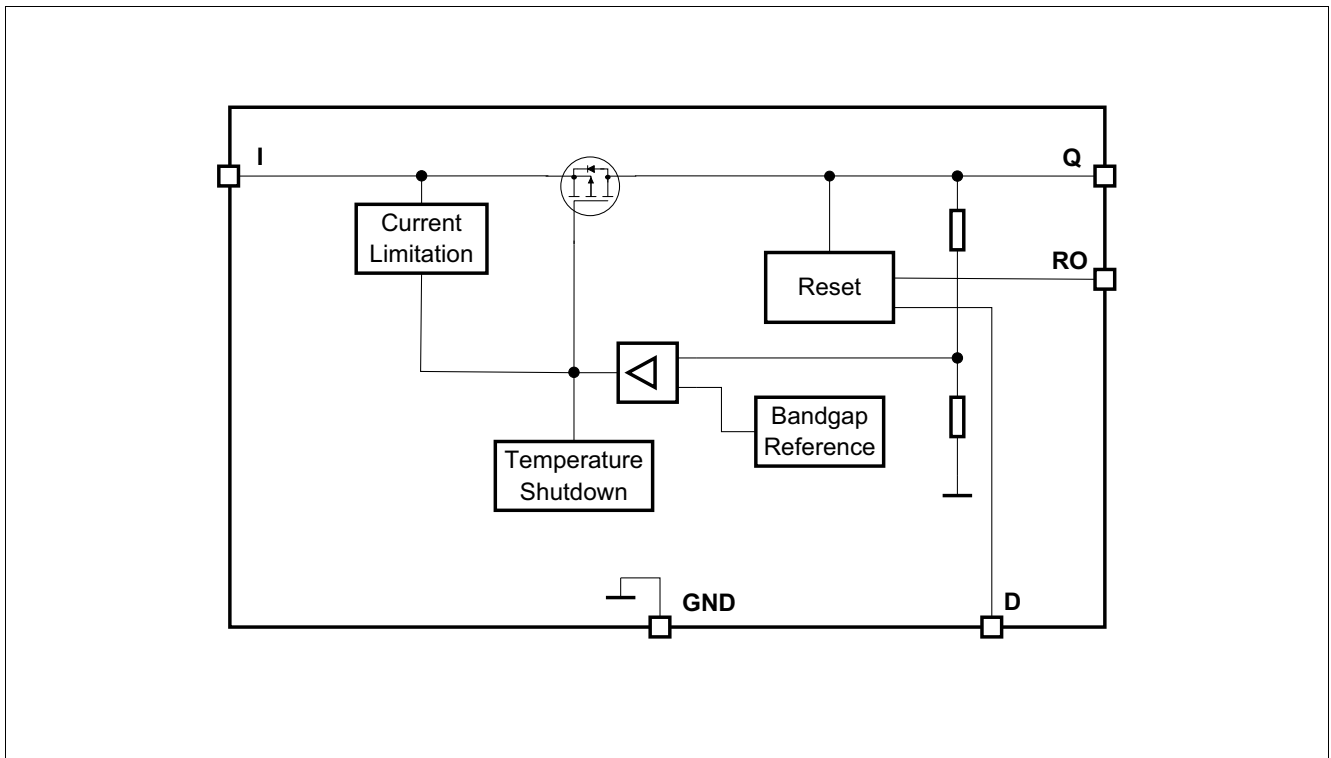


Figure 1 Block diagram TLS850C2TEV33

Pin configuration

2 Pin configuration

2.1 Pin assignment TLS850C2TEV33

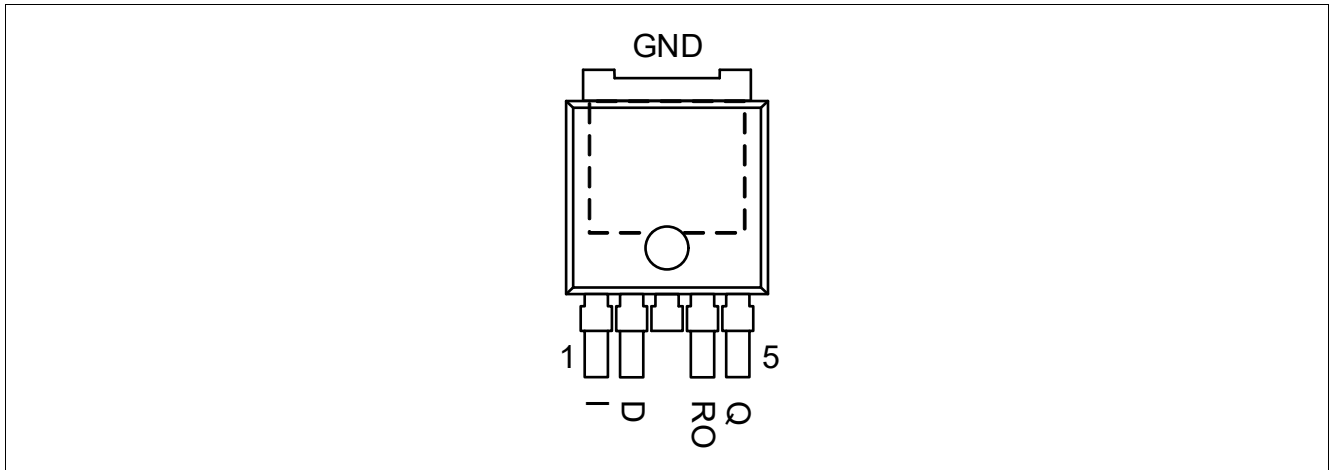


Figure 2 Pin configuration TLS850C2TEV33

2.2 Pin definitions and functions TLS850C2TEV33

Pin	Symbol	Function
1	I	Input It is recommended to place a small ceramic capacitor to GND, close to the pins, in order to compensate line influences.
2	D	Reset delay timing Connect a ceramic capacitor to GND for adjusting the reset delay time. Leave open if the reset function is not needed.
3	GND	Ground
4	RO	Reset output (integrated pull-up resistor to Q) Open collector output. Leave open if the reset function is not needed.
5	Q	Output Connect output capacitor C_Q to GND close to the pin, respecting the values specified for its capacitance and ESR in “Functional range” on Page 7.
Heat Slug	-	Heat slug Connect to heatsink area. Connect to GND.

General product characteristics

3 General product characteristics

3.1 Absolute maximum ratings

Table 1 Absolute maximum ratings¹⁾

$T_j = -40^\circ\text{C}$ to 150°C ; all voltages with respect to ground (unless otherwise specified)

Parameter	Symbol	Values			Unit	Note or Test Condition	Number
		Min.	Typ.	Max.			
Input I							
Voltage	V_I	-0.3	-	45	V	-	P_3.1.1
Output Q, reset output RO							
Voltage	V_Q, V_{RO}	-0.3	-	7	V	-	P_3.1.2
Reset delay D							
Voltage	V_D	-0.3	-	7	V	-	P_3.1.4
Temperatures							
Junction temperature	T_j	-40	-	150	°C	-	P_3.1.5
Storage temperature	T_{stg}	-55	-	150	°C	-	P_3.1.6
ESD Absorption							
ESD susceptibility	$V_{ESD,HBM}$	-2	-	2	kV	Human Body Model (HBM) ²⁾	P_3.1.7
ESD susceptibility	$V_{ESD,CDM}$	-750	-	750	V	Charged Device Model (CDM) ³⁾ at all pins	P_3.1.8

1) Not subject to production test, specified by design.

2) ESD susceptibility, HBM according to ANSI/ESDA/JEDEC JS001 (1.5 kV, 100 pF)

3) ESD susceptibility, Charged Device Model "CDM" ESDA STM5.3.1 or ANSI/ESD S.5.3.1

Notes

1. Exceeding the absolute max ratings may cause permanent damage to the device and affects the device's reliability.
2. Integrated protection functions are designed to prevent IC destruction under fault conditions described in the data sheet. Fault conditions are considered as operation outside the normal operating range. Protection functions are not designed for continuous repetitive operation.

General product characteristics

3.2 Functional range

Table 2 Functional range

$T_j = -40^\circ\text{C}$ to 150°C ; all voltages with respect to ground (unless otherwise specified)

Parameter	Symbol	Values			Unit	Note or Test Condition	Number
		Min.	Typ.	Max.			
Input voltage range	V_I	$V_{Q,nom} + V_{dr}$	–	40	V	1) –	P_3.2.1
Extended input voltage range	$V_{I,ext}$	3.0	–	40	V	2) –	P_3.2.2
Capacitance of output capacitor for stability	C_Q	1	–	–	μF	3)4) –	P_3.2.4
Equivalent Series Resistance of output capacitor	$ESR(C_Q)$	–	–	50	Ω	3) –	P_3.2.6
Junction temperature	T_j	-40	–	150	$^\circ\text{C}$	–	P_3.2.7

- 1) Output current is limited internally and depends on the input voltage, see electrical characteristics for more details.
- 2) If $V_{I,ext,min} \leq V_I \leq V_{Q,nom} + V_{dr}$, then $V_Q = V_I - V_{dr}$. If $V_I < V_{I,ext,min}$, then V_Q can drop to 0 V.
- 3) Not subject to production test, specified by design.
- 4) The minimum output capacitance requirement is applicable for a worst case capacitance tolerance of 30%.

Note: Within the functional or operating range, the IC operates as described in the circuit description. The electrical characteristics are specified within the conditions given in the electrical characteristics table.

General product characteristics

3.3 Thermal resistance

Note: This thermal data was generated in accordance with JEDEC JESD51 standards. For more information, go to www.jedec.org.

Table 3 Thermal resistance TLS850C2TEV33 in PG-TO252-5 package

Parameter	Symbol	Values			Unit	Note or Test Condition	Number
		Min.	Typ.	Max.			
Junction to case	R_{thJC}	–	3.1	–	K/W	¹⁾ –	P_3.3.11
Junction to ambient	R_{thJA}	–	26	–	K/W	¹⁾²⁾ 2s2p board	P_3.3.12
Junction to ambient	R_{thJA}	–	101	–	K/W	¹⁾³⁾ 1s0p board, footprint only	P_3.3.13
Junction to ambient	R_{thJA}	–	48	–	K/W	¹⁾³⁾ 1s0p board, 300 mm ² heatsink area on PCB	P_3.3.14
Junction to ambient	R_{thJA}	–	39	–	K/W	¹⁾³⁾ 1s0p board, 600 mm ² heatsink area on PCB	P_3.3.15

- 1) Not subject to production test, specified by design.
- 2) Specified R_{thJA} value is according to Jecdec JESD51-2,-5,-7 at natural convection on FR4 2s2p board. The product (chip + package) was simulated on a 76.2 × 114.3 × 1.5 mm³ board with 2 inner copper layers (2 × 70 μm Cu, 2 × 35 μm Cu). Where applicable a thermal via array under the exposed pad contacted the first inner copper layer.
- 3) Specified R_{thJA} value is according to JEDEC JESD 51-3 at natural convection on FR4 1s0p board. The product (chip + package) was simulated on a 76.2 × 114.3 × 1.5 mm³ board with 1 copper layer (1 × 70 μm Cu).

4 Block description and electrical characteristics

4.1 Voltage regulation

The output voltage V_O is divided by a resistor network. The TLS850C2TEV33 compares this fractional voltage to an internal voltage reference and drives the pass transistor accordingly.

The control loop stability depends on the following factors:

- output capacitor C_O
- load current
- chip temperature
- internal circuit design

Output capacitor

To ensure stable operation, the capacitance of the output capacitor and its equivalent series resistor (ESR) requirements as specified in **“Functional range” on Page 7** must be maintained. The output capacitor must be sized according to the requirements of the application to be able to buffer load steps.

Input capacitors, reverse polarity protection diode

An input capacitor C_I is recommended to compensate for line influences.

In order to block influences such as pulses and high frequency distortion at the input, an additional reverse polarity protection diode and a combination of several capacitors for filtering should be used. Connect the capacitors close to the component's terminals.

Smooth ramp-up

In order to prevent overshoots during startup, a smooth ramp-up function is implemented. This ensures a reduced output voltage overshoot during startup, mostly independent from load and output capacitance.

Output current limitation

If the load current exceeds the specified limit, due to a short-circuit for example, then the device limits the output current and the output voltage decreases.

Overtemperature shutdown

The overtemperature shutdown circuit prevents the device from immediate destruction in case of a fault condition, for example due to a permanent short-circuit at the output, by switching off the power stage. After the device has cooled down, the regulator restarts. This leads to an oscillatory behavior of the output voltage until the fault is removed. However, any junction temperature above 150°C is outside the maximum ratings and therefore significantly reduces the lifetime of the device.

Block description and electrical characteristics

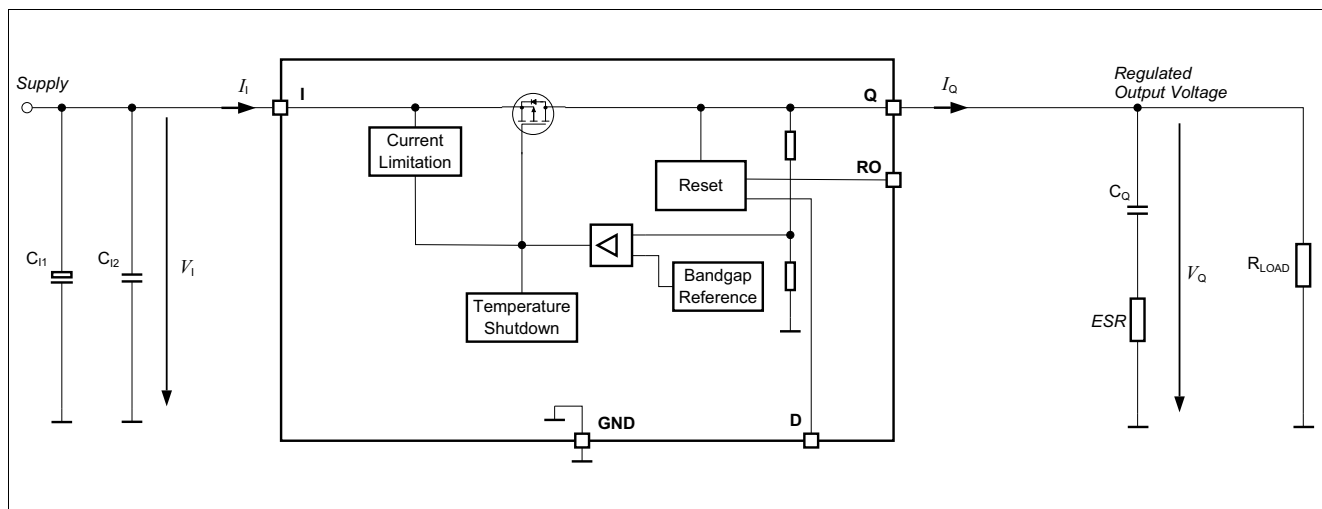


Figure 3 Voltage regulation

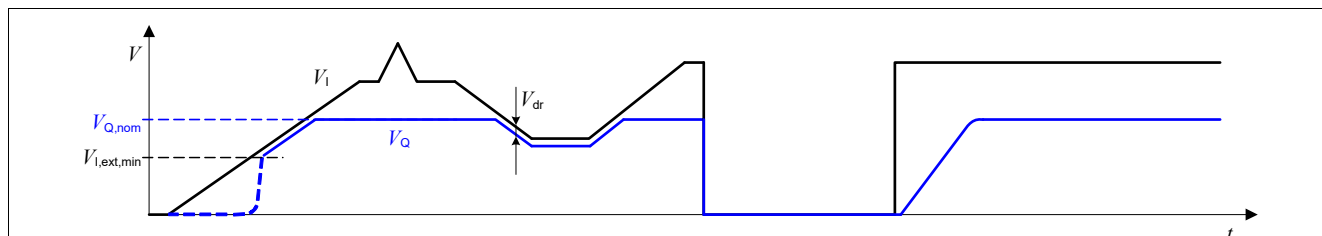


Figure 4 Output voltage versus input voltage

Block description and electrical characteristics

Table 4 Electrical characteristics voltage regulator

$T_j = -40^\circ\text{C}$ to 150°C , $V_I = 13.5\text{ V}$, all voltages with respect to ground (unless otherwise specified)

Typical values are given at $T_j = 25^\circ\text{C}$

Parameter	Symbol	Values			Unit	Note or Test Condition	Number
		Min.	Typ.	Max.			
Output voltage accuracy	V_Q	3.23	3.3	3.37	V	$0.05\text{ mA} \leq I_Q \leq 500\text{ mA}$ $4.6\text{ V} \leq V_I \leq 28\text{ V}$	P_4.1.13
Output voltage accuracy	V_Q	3.23	3.3	3.37	V	$0.05\text{ mA} \leq I_Q \leq 250\text{ mA}$ $3.97\text{ V} \leq V_I \leq 40\text{ V}$	P_4.1.14
Dropout voltage $V_{dr} = V_I - V_Q$	V_{dr}	–	300	600	mV	¹⁾ $I_Q = 250\text{ mA}$	P_4.1.20
Dropout voltage $V_{dr} = V_I - V_Q$	V_{dr}	–	120	240	mV	¹⁾ $I_Q = 100\text{ mA}$	P_4.1.22
Power Supply Ripple Rejection	$PSRR$	–	63	–	dB	²⁾ $f_{\text{ripple}} = 100\text{ Hz}$ $V_{\text{ripple}} = 0.5 V_{pp}$ $I_Q = 10\text{ mA}$	P_4.1.23

Other electrical characteristics

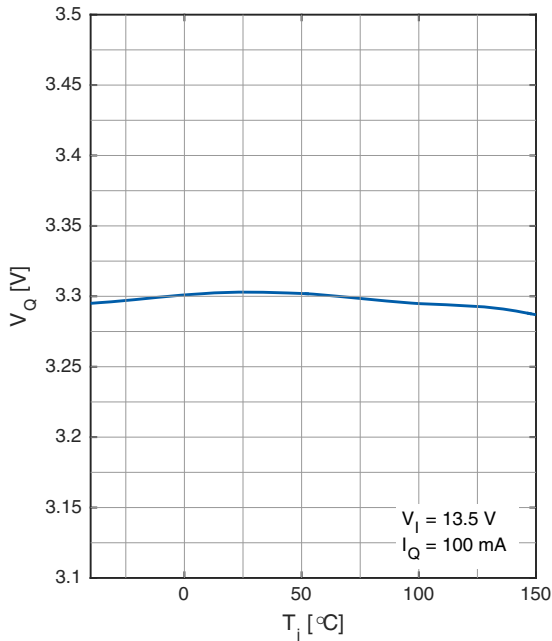
Output current limitation	$I_{Q,max}$	501	750	1100	mA	$0\text{ V} < V_Q < V_{Q,nom} - 0.1\text{ V}$	P_4.1.27
Load regulation steady-state	$\Delta V_{Q,load}$	-15	-5	–	mV	$I_Q = 0.05\text{ mA}$ to 500 mA $V_I = 6.5\text{ V}$	P_4.1.31
Line regulation steady-state	$\Delta V_{Q,line}$	–	1	10	mV	$V_I = 8\text{ V}$ to 32 V $I_Q = 5\text{ mA}$	P_4.1.32
Overtemperature shutdown threshold	$T_{j,sd}$	151	175	200	$^\circ\text{C}$	²⁾ T_j increasing	P_4.1.33
Overtemperature shutdown threshold hysteresis	$T_{j,sdh}$	–	15	–	K	²⁾ T_j decreasing	P_4.1.34

1) Measured when the output voltage V_Q has dropped by 100 mV while input voltage was gradually decreased.

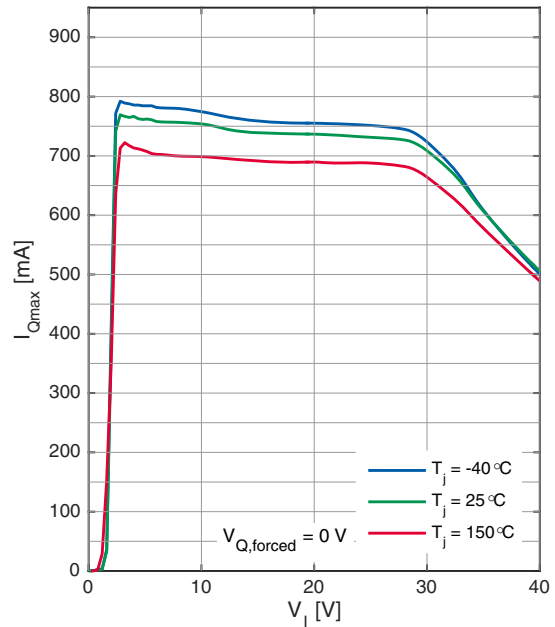
2) Not subject to production test, specified by design.

4.2 Typical performance characteristics voltage regulator

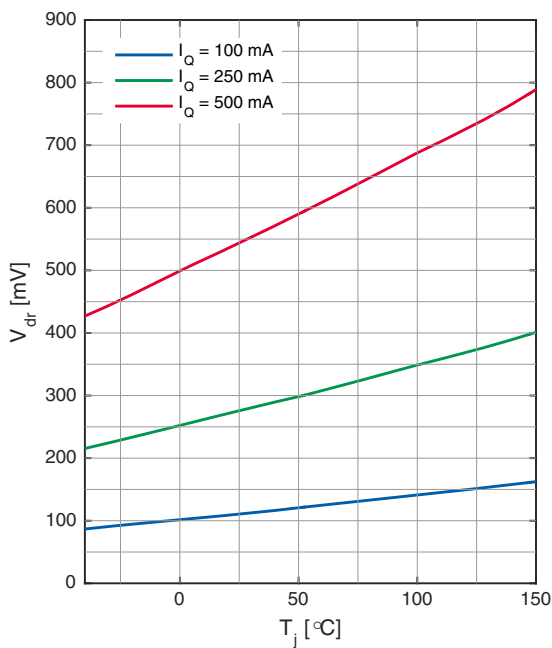
Output voltage V_Q versus junction temperature T_j



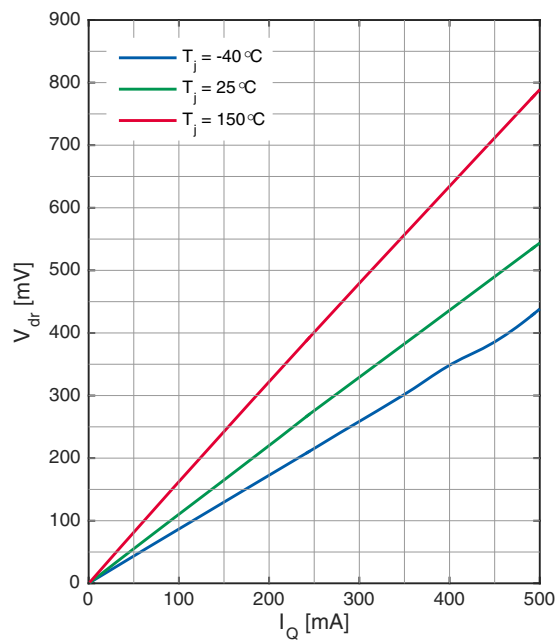
Maximum output current I_{Qmax} versus input voltage V_i



Dropout voltage V_{dr} versus junction temperature T_j

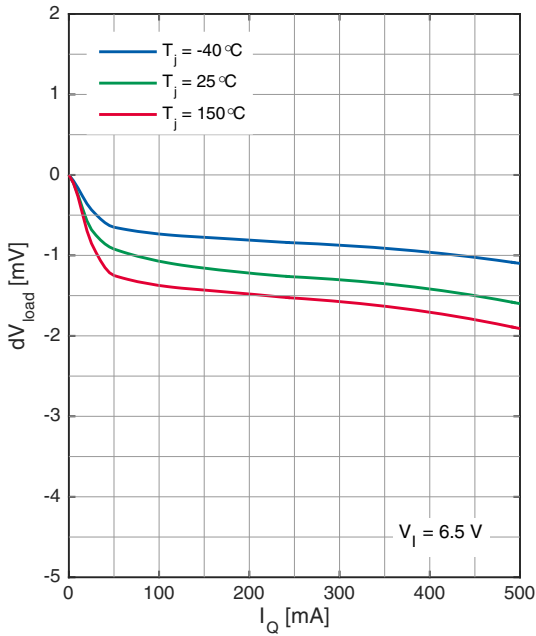


Dropout voltage V_{dr} versus Output Current I_Q

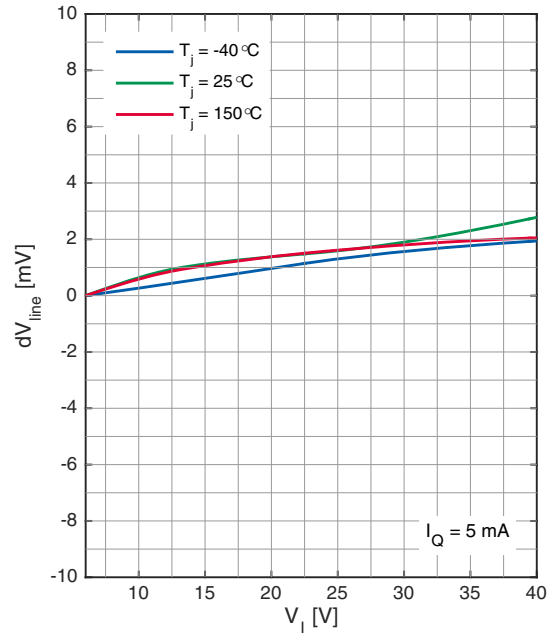


Block description and electrical characteristics

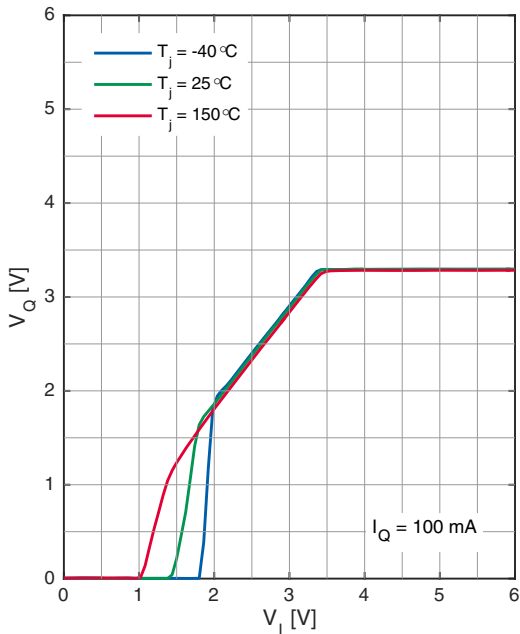
Load regulation $\Delta V_{Q,load}$ versus output current change I_Q



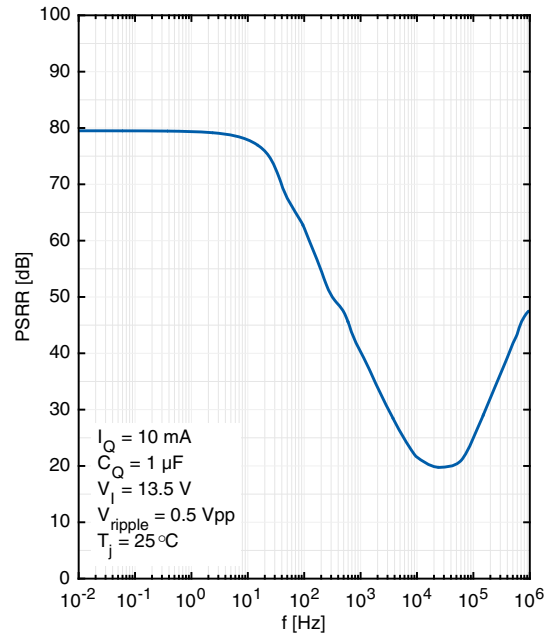
Line regulation $\Delta V_{Q,line}$ versus input voltage V_I



Output Voltage V_Q versus Input Voltage V_I

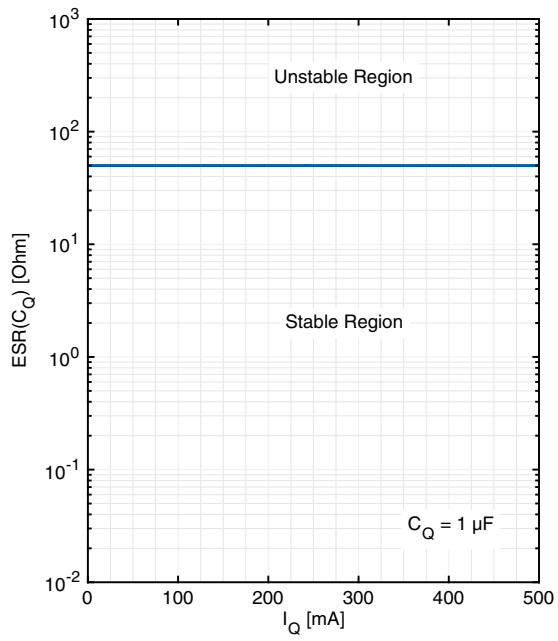


Power Supply Ripple Rejection $PSRR$ versus ripple frequency f



Block description and electrical characteristics

Equivalent Series Resistance of output capacitor
 $ESR(C_Q)$ versus output current I_Q



Block description and electrical characteristics

4.3 Current consumption

Table 5 Electrical characteristics current consumption

$T_j = -40^\circ\text{C}$ to 150°C , $V_I = 13.5\text{ V}$ (unless otherwise specified)

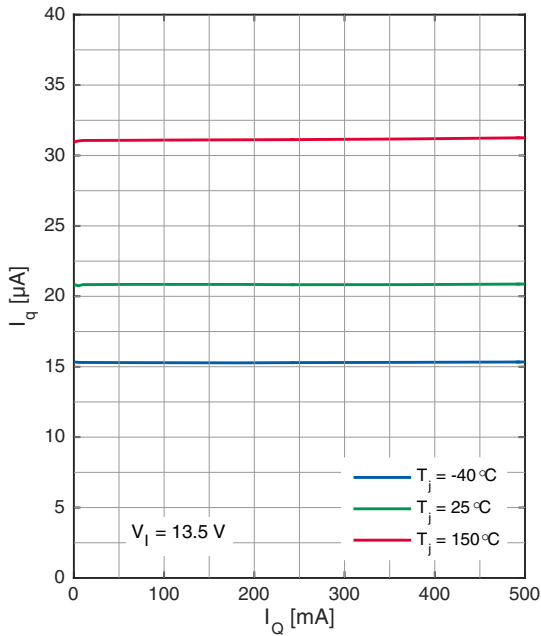
Typical values are given at $T_j = 25^\circ\text{C}$

Parameter	Symbol	Values			Unit	Note or Test Condition	Number
		Min.	Typ.	Max.			
Current consumption $I_q = I_I - I_Q$	I_q	–	20	30	μA	$I_Q = 0.05\text{ mA}$ $T_j = 25^\circ\text{C}$	P_4.5.11
Current consumption $I_q = I_I - I_Q$	I_q	–	23	36	μA	$I_Q = 0.05\text{ mA}$ $T_j < 125^\circ\text{C}$	P_4.5.12
Current consumption $I_q = I_I - I_Q$	I_q	–	25	42	μA	¹⁾ $I_Q = 500\text{ mA}$ $T_j < 125^\circ\text{C}$	P_4.5.13

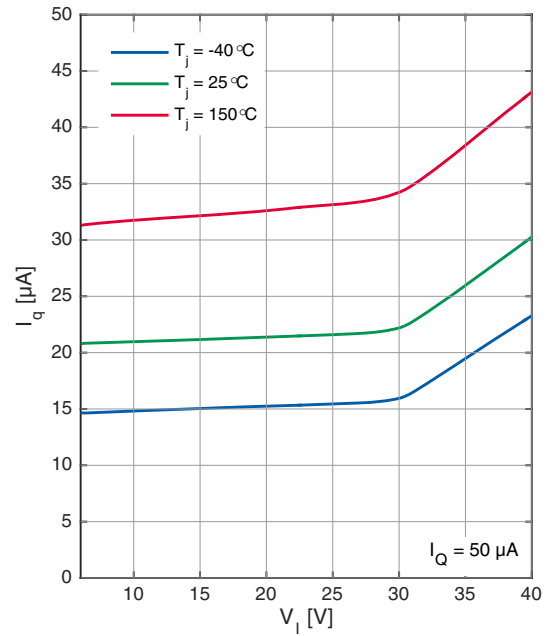
1) Not subject to production test, specified by design.

4.4 Typical performance characteristics current consumption

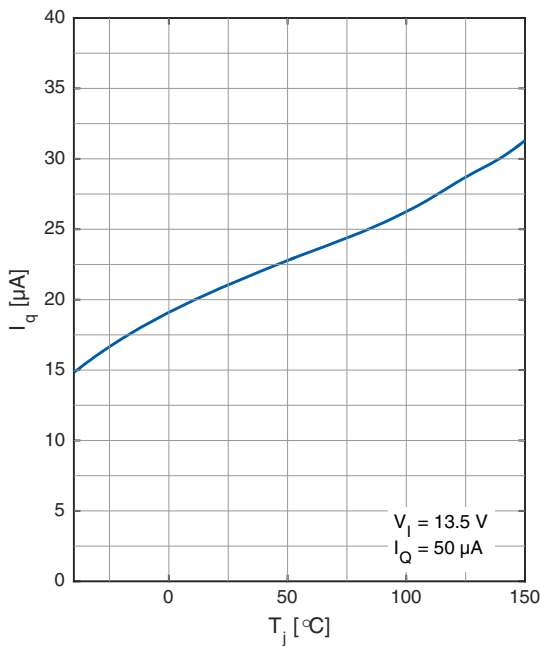
Current consumption I_q versus output current I_Q



Current consumption I_q versus input voltage V_i



Current consumption I_q versus junction temperature T_j



Block description and electrical characteristics

4.5 Reset function

The reset function monitors the output voltage V_Q and indicates a potential imminent loss of power. This then allows enough time for the system to shut down or do the transition into a safe state. To meet the requirements of the application, some reset parameters can be adjusted by measures described below.

Output undervoltage reset

The reset output RO is an open collector stage. It is internally pulled up to V_Q via a resistor **Reset output internal pull-up resistor** (Table 6). In case of an undervoltage event at V_Q , RO is pulled to “low”. This signal can then be used to reset a microcontroller during low supply voltage.

Optional reset output pull-up resistor $R_{RO,ext}$

Although the reset output RO is an open collector output with an integrated pull-up resistor, an additional external pull-up resistor can be added to the output Q, if needed. Table 6 specifies a minimum value for the external resistor $R_{RO,ext}$ for this option.

Power-on reset delay time

The power-on reset delay time t_{rd} allows a microcontroller and oscillator to start up. This delay time is the time interval from exceeding the reset switching threshold $V_{RT,high}$ until the reset is released by switching the reset output RO from “low” to “high”. The power-on reset delay time t_{rd} is defined by an external delay capacitor C_D connected to pin D. The delay capacitor charge current $I_{D,ch}$ charges C_D by starting from $V_D = 0$ V.

If the application requires a power-on reset delay time t_{rd} that differs from the default value specified in Table 6, then the required value of the delay capacitor can be derived from the specified value and the desired power-on delay time as follows:

$$C_D = \frac{t_{rd}}{t_{rd,100\text{ nF}}} \cdot C_{D,100\text{ nF}} \quad (4.1)$$

where

- C_D : required capacitance of the delay capacitor
- t_{rd} : desired power-on reset delay time
- $t_{rd,100\text{ nF}}$: **Power-on reset delay time** (Table 6) for $C_D = 100$ nF as specified in the data sheet

For a precise calculation, the tolerance of the delay capacitor must also be considered.

Reset reaction time

The reset reaction time ensures that short undervoltage spikes do not trigger an unwanted reset “low” signal. The reset reaction time $t_{rr,total}$ comprises the internal reaction time $t_{rr,int}$ and the discharge time $t_{rr,d}$ defined by the external delay capacitor C_D . Therefore, the total reset reaction time becomes:

$$t_{rr,total} = t_{rr,int} + t_{rr,d} \quad (4.2)$$

where

- $t_{rr,total}$: **Reset reaction time**
- $t_{rr,int}$: **Internal reset reaction time**
- $t_{rr,d}$: **Delay capacitor discharge time**

Block description and electrical characteristics

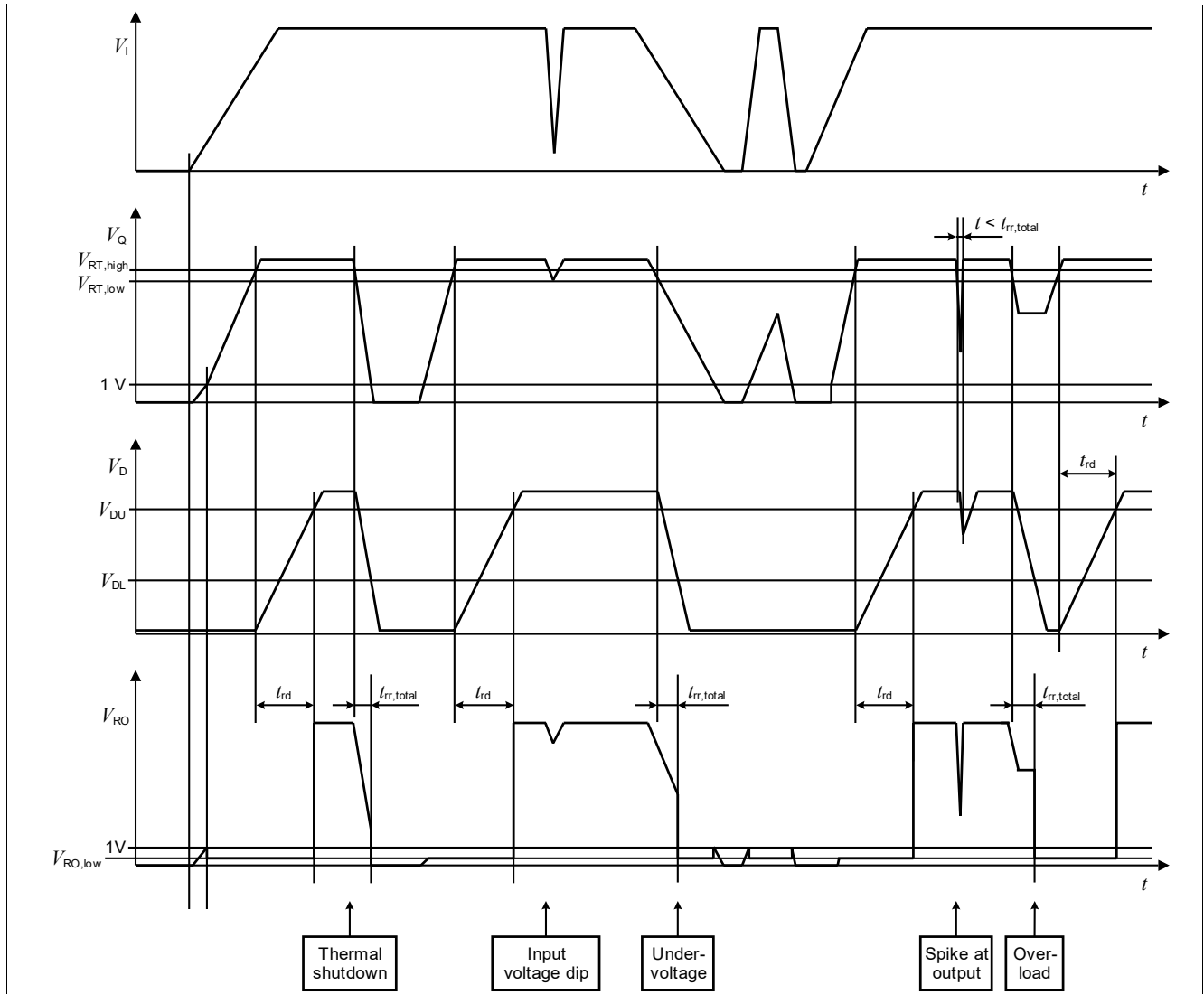


Figure 5 Timing diagram reset

Table 6 Electrical characteristics reset

$T_j = -40^{\circ}\text{C}$ to 150°C , $V_i = 13.5\text{ V}$, all voltages with respect to ground (unless otherwise specified).
 Typical values are given at $T_j = 25^{\circ}\text{C}$, $V_i = 13.5\text{ V}$.

Parameter	Symbol	Values			Unit	Note or Test Condition	Number
		Min.	Typ.	Max.			
Output undervoltage reset (3.3 V output voltage)							
Output undervoltage reset upper switching threshold	$V_{RT,high}$	3.00	3.10	3.20	V	V_Q increasing,	P_4.14.6
Output undervoltage reset lower switching threshold	$V_{RT,low}$	2.93	3.03	3.13	V	V_Q decreasing,	P_4.14.7
Reset output RO							
Reset output “low” voltage	$V_{RO,low}$	-	0.2	0.4	V	$1\text{ V} \leq V_Q \leq V_{RT}$; $R_{RO} > 4.7\text{ k}\Omega$	P_4.14.11

Block description and electrical characteristics

Table 6 Electrical characteristics reset (cont'd)

$T_j = -40^\circ\text{C}$ to 150°C , $V_I = 13.5\text{ V}$, all voltages with respect to ground (unless otherwise specified).
 Typical values are given at $T_j = 25^\circ\text{C}$, $V_I = 13.5\text{ V}$.

Parameter	Symbol	Values			Unit	Note or Test Condition	Number
		Min.	Typ.	Max.			
Reset output internal pull-up resistor	$R_{RO,int}$	13	20	36	k Ω	internally connected to Q	P_4.14.12
Reset output external pull-up resistor to V_Q	$R_{RO,ext}$	4.7	–	–	k Ω	$1\text{ V} \leq V_Q \leq V_{RT}$; $V_{RO} \leq 0.4\text{ V}$	P_4.14.13

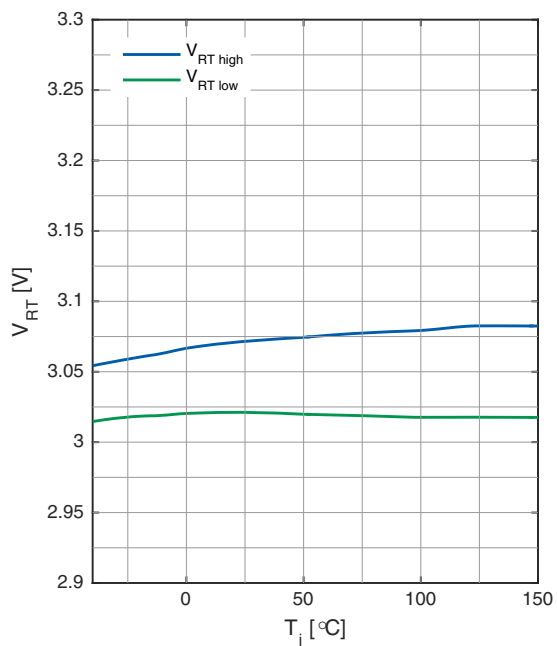
Reset delay timing

Power-on reset delay time	t_{rd}	17	25	37	ms	$C_D = 100\text{ nF}$ Calculated value	P_4.14.15
Upper delay switching threshold	V_{DU}	–	0.9	–	V	–	P_4.14.16
Lower delay switching threshold	V_{DL}	–	0.6	–	V	–	P_4.14.17
Delay capacitor charge current	$I_{D,ch}$	–	3.6	–	μA	$V_D = 1\text{ V}$	P_4.14.18
Delay capacitor discharge current	$I_{D,dch}$	–	210	–	mA	$V_D = 1\text{ V}$	P_4.14.19
Delay capacitor discharge time	$t_{rr,d}$	–	2	4	μs	$C_D = 100\text{ nF}$ Calculated value	P_4.14.20
Internal reset reaction time	$t_{rr,int}$	–	15	44	μs	¹⁾ $C_D = 0\text{ nF}$	P_4.14.21
Reset reaction time	$t_{rr,total}$	–	17	48	μs	$C_D = 100\text{ nF}$ Calculated value	P_4.14.22

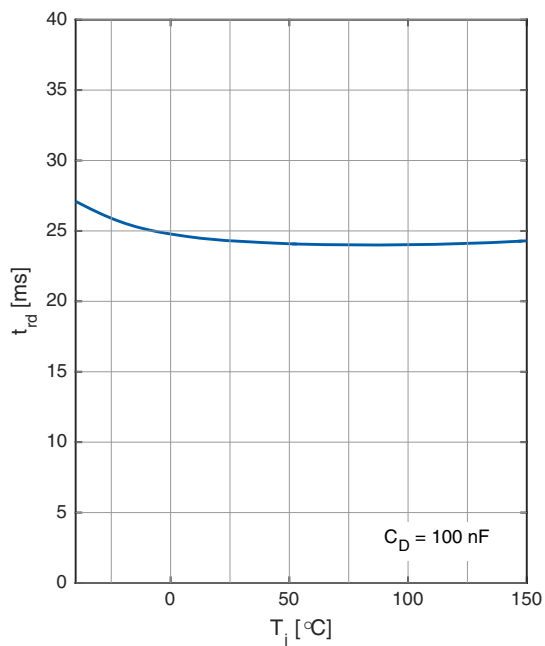
1) Parameter not subject to production test; specified by design.

4.6 Typical performance characteristics reset

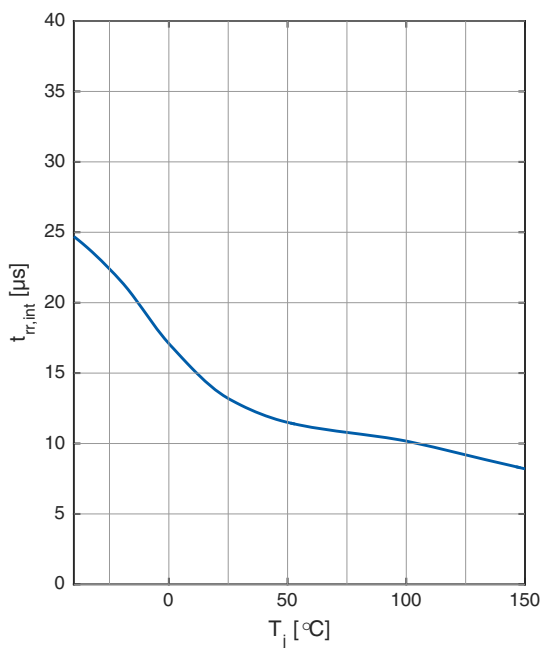
Undervoltage reset threshold V_{RT} versus junction temperature T_j



Power-on reset delay time t_{rd} versus junction temperature T_j



Internal Reset reaction time $t_{rr,int}$ versus junction temperature T_j



Application information

5 Application information

5.1 Application diagram

Note: The following information is given as a hint for the implementation of the device only and shall not be regarded as a description or warranty of a certain functionality, condition or quality of the device.

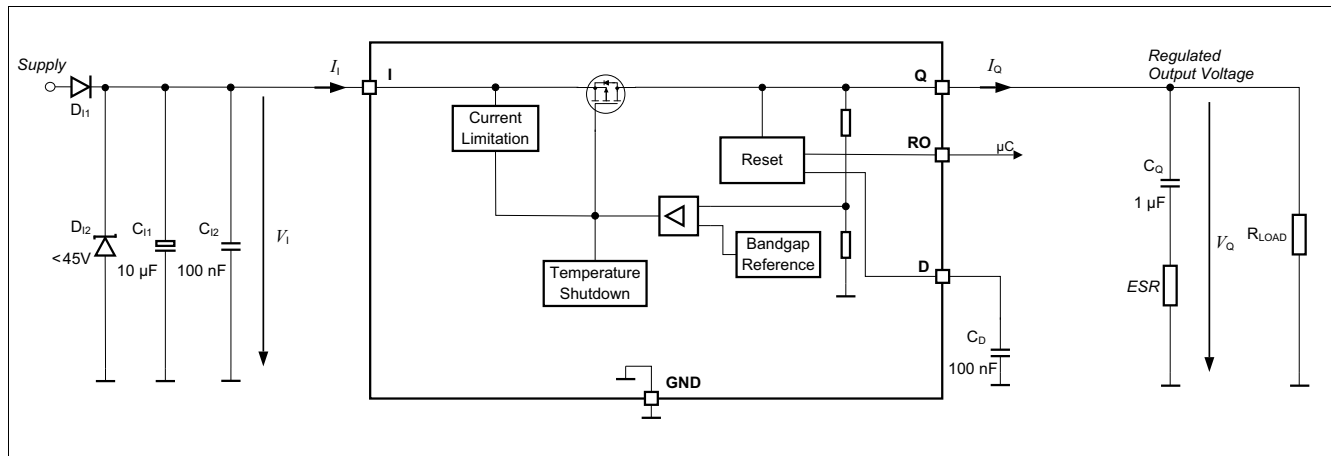


Figure 6 Application diagram

Note: This is a very simplified example of an application circuit. The function must be verified in the real application.

5.2 Selection of external components

5.2.1 Input pin

Figure 6 shows an example of the input circuitry for a linear voltage regulator. A ceramic capacitor at the input, in the range of 100 nF to 470 nF, is recommended to filter out the high frequency disturbances imposed by the line, for example ISO pulses 3a/b. This capacitor must be placed very close to the input pin of the linear voltage regulator on the PCB.

An aluminum electrolytic capacitor in the range of 10 μF to 470 μF is recommended as an input buffer to smooth out high energy pulses, such as ISO pulse 2a. This capacitor must be placed close to the input pin of the linear voltage regulator.

An overvoltage suppressor diode can be used to further suppress any high voltage beyond the maximum rating of the linear voltage regulator and to protect the device from damage due to overvoltage.

The external components at the input pin are optional, but they are recommended to deal with possible external disturbances.

5.2.2 Output pin

An output capacitor is mandatory for the stability of linear voltage regulators. Furthermore it serves as an energy buffer during load jumps, to compensate and maintain a constant output voltage potential. It must be dimensioned according to the specific requirements of the application. The requirements for the output capacitor are given in **“Functional range” on Page 7**.

Application information

The TLS850C2TEV33 is designed to be stable with low ESR capacitors as well. According to automotive requirements, ceramic capacitors with X5R or X7R dielectrics are recommended.

The output capacitor should be placed as close as possible to the voltage regulator's output pin and GND pin and on the same side of the PCB as the regulator itself.

In case of transients of input voltage or of load current, the capacitance should be dimensioned accordingly. The configuration must be verified in the real application to ensure that the output stability requirements are fulfilled.

5.3 Thermal considerations

From the known input voltage, the output voltage and the load profile of the application, the total power dissipation can be calculated as follow:

$$P_D = (V_I - V_Q)I_Q + V_I I_q \quad (5.1)$$

with

- P_D : continuous power dissipation
- V_I : input voltage
- V_Q : output voltage
- I_Q : output current
- I_q : quiescent current

The maximum acceptable thermal resistance R_{thJA} is given by:

$$R_{thJA} = \frac{T_{j,max} - T_a}{P_D} \quad (5.2)$$

with

- $T_{j,max}$: maximum allowed junction temperature
- T_a : ambient temperature

Based on the above calculation the proper PCB type and the necessary heat sink area can be determined by referencing to the specification for **“Thermal resistance” on Page 8**.

5.4 Reverse polarity protection

The TLS850C2TEV33 is not protected against reverse polarity faults and must be protected by external components against negative supply voltage. An external reverse polarity diode is necessary. The absolute maximum ratings of the device as specified in **“Absolute maximum ratings” on Page 6** must be maintained.

5.5 Further application information

For further information you may contact <http://www.infineon.com/>

Package information

6 Package information

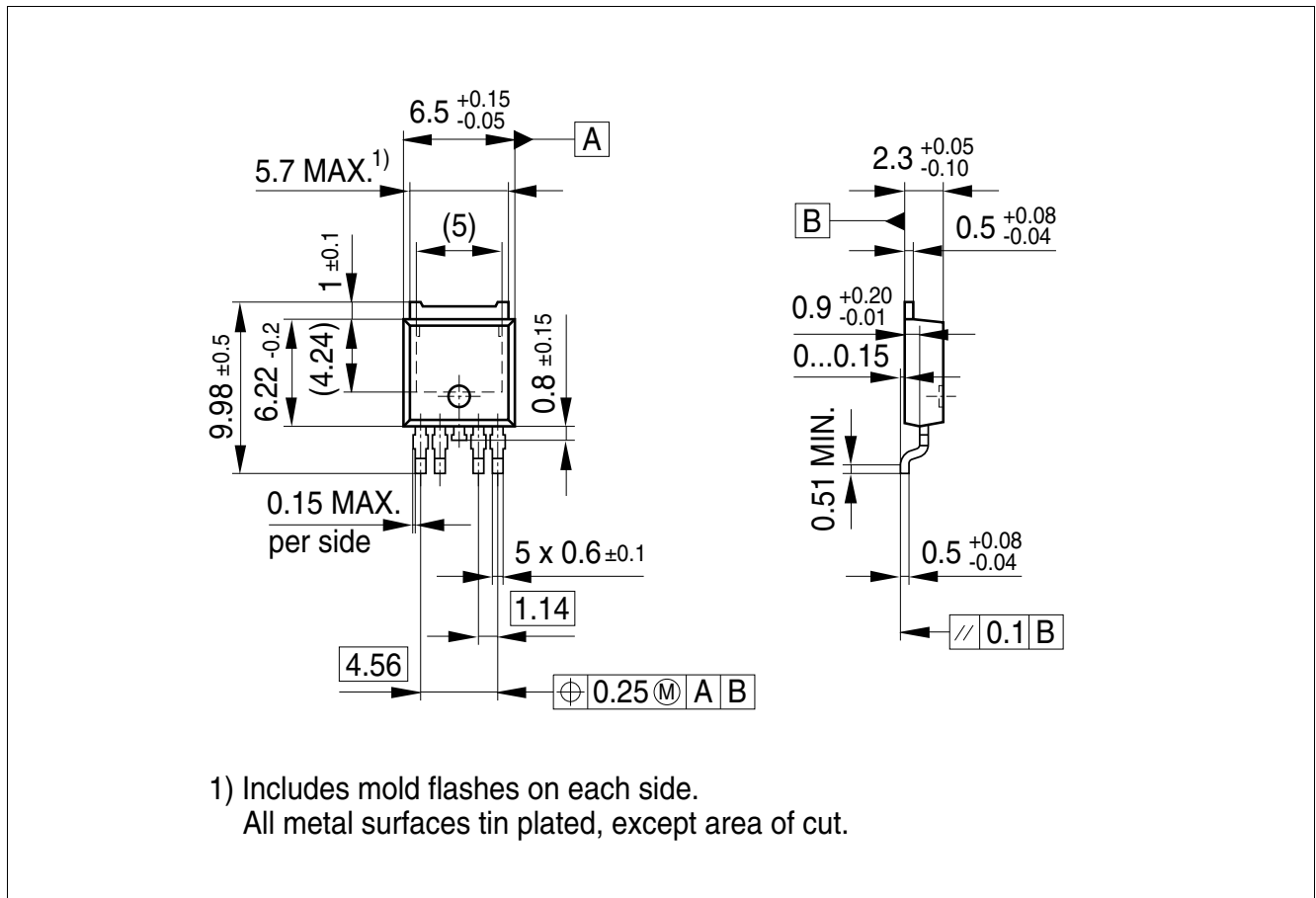


Figure 7 PG-T0252-5¹⁾

Green Product (RoHS compliant)

To meet the world-wide customer requirements for environmentally friendly products and to be compliant with government regulations the device is available as a green product. Green products are RoHS-Compliant (i.e Pb-free finish on leads and suitable for Pb-free soldering according to IPC/JEDEC J-STD-020).

Further information on packages

<https://www.infineon.com/packages>

1) Dimensions in mm

Revision history

7 Revision history

Revision	Date	Changes
1.0	2020-01-31	Initial version

Trademarks

All referenced product or service names and trademarks are the property of their respective owners.

Edition 2020-01-31

Published by

Infineon Technologies AG

81726 Munich, Germany

© 2020 Infineon Technologies AG.

All Rights Reserved.

Do you have a question about any aspect of this document?

Email: erratum@infineon.com

**Document reference
IFX-Z8F62668783**

IMPORTANT NOTICE

The information given in this document shall in no event be regarded as a guarantee of conditions or characteristics ("Beschaffheitsgarantie").

With respect to any examples, hints or any typical values stated herein and/or any information regarding the application of the product, Infineon Technologies hereby disclaims any and all warranties and liabilities of any kind, including without limitation warranties of non-infringement of intellectual property rights of any third party.

In addition, any information given in this document is subject to customer's compliance with its obligations stated in this document and any applicable legal requirements, norms and standards concerning customer's products and any use of the product of Infineon Technologies in customer's applications.

The data contained in this document is exclusively intended for technically trained staff. It is the responsibility of customer's technical departments to evaluate the suitability of the product for the intended application and the completeness of the product information given in this document with respect to such application.

For further information on technology, delivery terms and conditions and prices, please contact the nearest Infineon Technologies Office (www.infineon.com).

WARNINGS

Due to technical requirements products may contain dangerous substances. For information on the types in question please contact your nearest Infineon Technologies office.

Except as otherwise explicitly approved by Infineon Technologies in a written document signed by authorized representatives of Infineon Technologies, Infineon Technologies' products may not be used in any applications where a failure of the product or any consequences of the use thereof can reasonably be expected to result in personal injury.