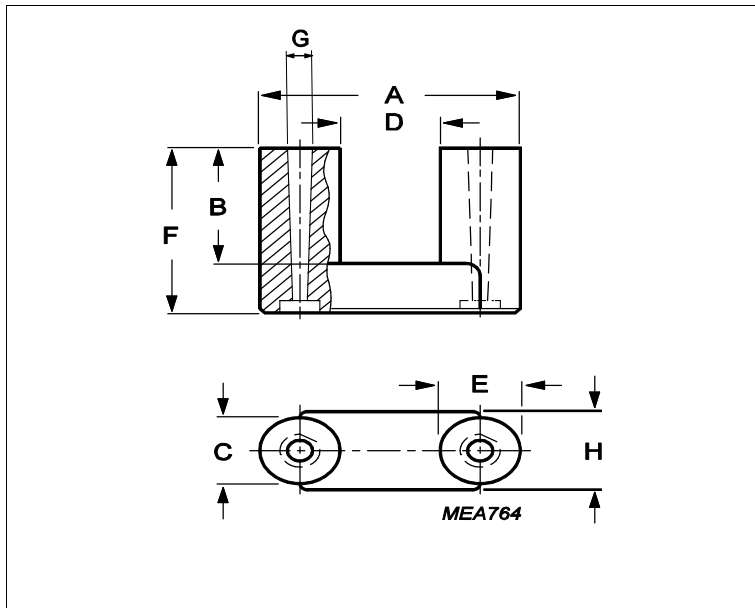


Core **UR64/40/20**



Effective parameters			
	Parameter	Value	Unit
$\Sigma(I/A)$	core factor (C1)	0.724	mm ⁻¹
Ve	effective volume	61000	mm ³
Le	effective length	210	mm
Ae	effective area	290	mm ²
Amin	minimum area		mm ²
m	UR64/40/20	≈ 160	g/pcs

Dimensions for product: UR64/40/20						
	Nom	Tol +	Tol -	Max	Min	Unit
A	64.10	1.30	1.30	65.40	62.80	mm
B	26.50	0.60	0.60	27.10	25.90	mm
C	20.00	0.40	0.40	20.40	19.60	mm
D	24.00	1.00	1.00	25.00	23.00	mm
E	20.00	0.40	0.40	20.40	19.60	mm
F	40.50	0.20	0.20	40.70	40.30	mm
G	5.10	0.00	1.00	5.10	4.10	mm
H	24.00	0.30	0.30	24.30	23.70	mm

Inductance factor				
Material	Value	Tol +	Tol -	Unit
3C90	3700	25%	25%	nH/turns ²

Power loss: 3C90				
Measuring conditions			Max	Unit
25 kHz	200 mT	100 °C	7.300	W/set

Bsat					
Measuring conditions			Material	Min	Unit
10 kHz	250 A/m	100 °C	3C90	320	mT