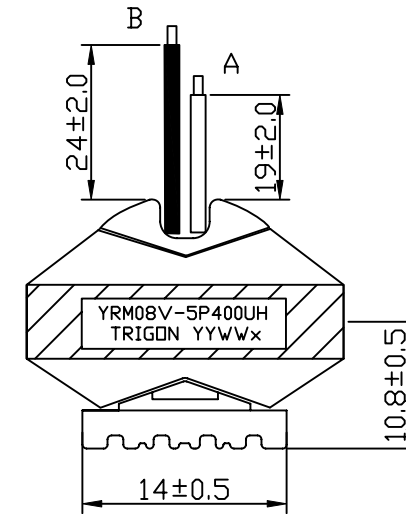
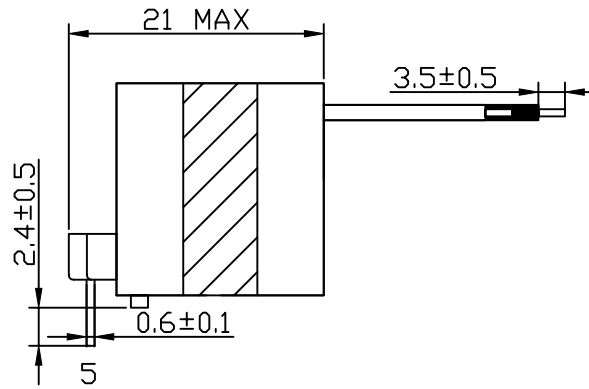
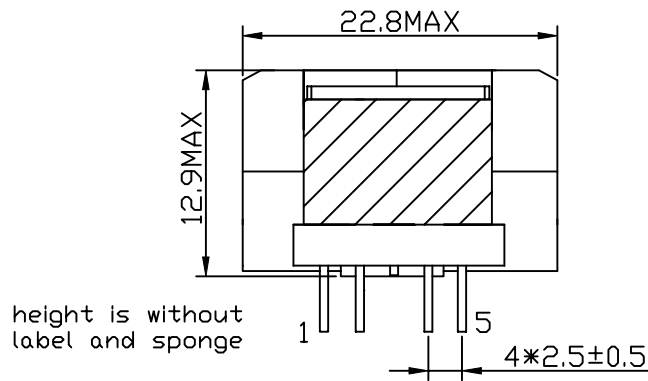
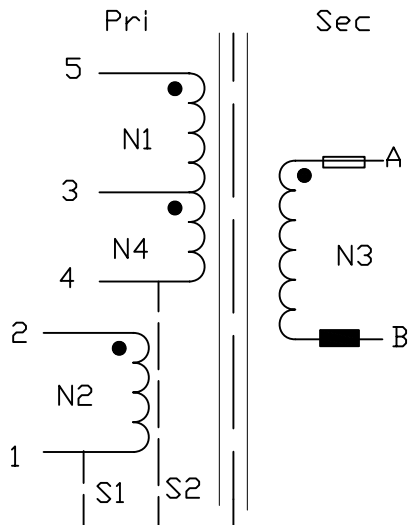


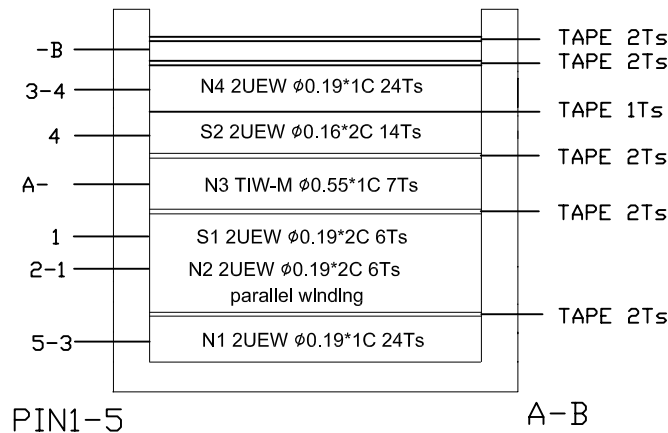
CONFIGURATION & DIMENSIONS: (mm)



SCHEMATIC:



WINDING CONSTRUCTION:



ELECTRICAL CHARACTERISTICS @25°C

Inductance: (5-4) 400uH±5% @10KHz/0.1V
 Lk: (5-4) 15uH MAX @10KHz/0.1V
 (all other pins shored)
 DCR: (5-4) 1.4Ω MAX
 (2-1) 86mΩ MAX
 (A-B) 30mΩ MAX
 Hi-Pot:
 Pri-Sec: 3.0KVAC/2mA/60s
 Turns Ratio: @20KHz/1v
 (5-4):(2-1)=1:0.125±3%
 (5-4):(A-B)=1:0.146±3%

NOTES:

1. This part is PQHS compliant
2. PIN3 Cut off 2/3

- " ● Start of winding
- " □ "TEFLON tube (White)
- " ■ "TEFLON tube (Black)

GENERAL TOLERANCES (UNLESS SPECIFIED)				TITLE: Power Transformer			PART NO: YRM08V-5P400UH				
.X = ±0.40mm				TRIGON COMPONENTS	APPROVED BY	CHECKED BY	DRAWN BY	UNIT	MM	SCALE	NONE
.XX = ±0.25mm					ES	LL	JK	SHEET	1	DF	1
.XXX = ±0.10mm	01	08-03-2018	LL	TRIGON COMPONENTS, INC.				www.trigoncomponents.com			
ANGULAR ±3°	REV	DATE	SIGN								