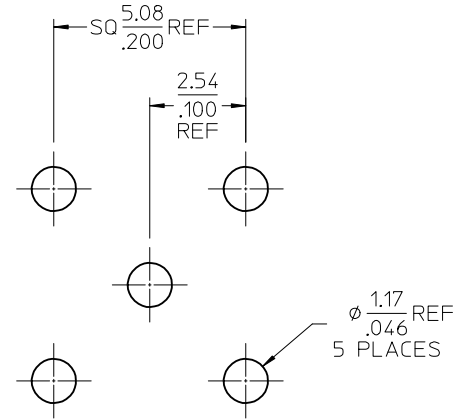
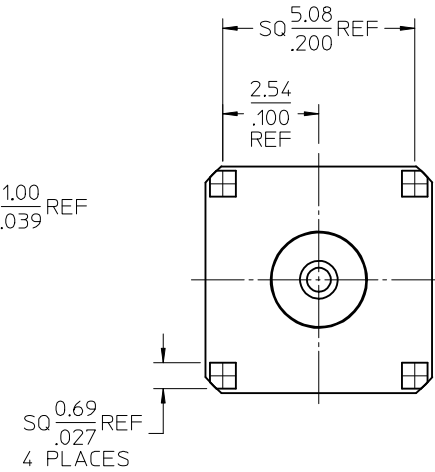
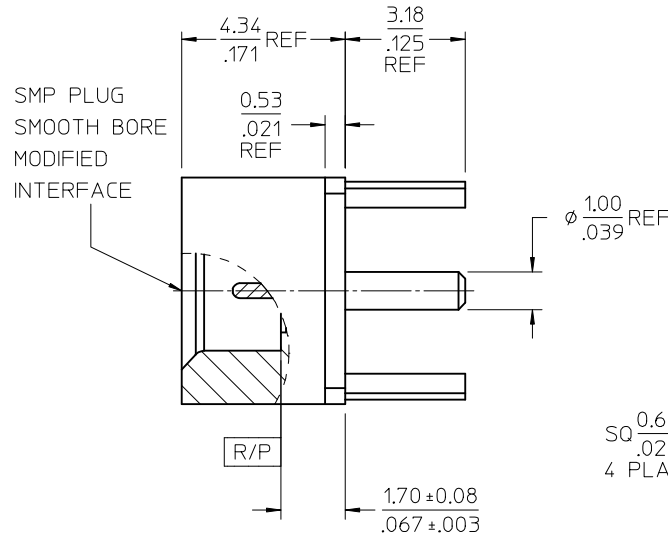
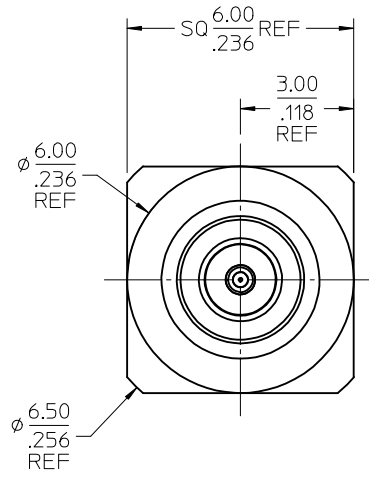
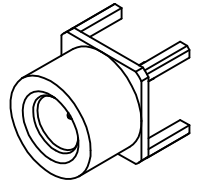


MATERIALS AND FINISHES:

BODY: BRASS
 PLATED: GOLD (10μ-in MIN)
 OVER NICKEL (100μ-in MIN)

CENTER CONTACT: BRASS
 PLATED: GOLD (30μ-in MIN)
 OVER NICKEL (100μ-in MIN)

INSULATOR: PTFE



RECOMMENDED PCB LAYOUT

73415-5310	TRAY
PART NO.	PACKAGING

PS-89675-3320	PRODUCT SPECIFICATION
MIL-STD-348B, FIG. 326.5	INTERFACE
SPECIFICATION	DESCRIPTION

CHG: ADD TOLERANCE TO DIM 1.70/.067 IN E6 ZONE. UPD MATERIALS AND FINISHES NOTE. EC NO: URF2017-0403
 DRWN:APRAKASHO1 2017/06/08
 CHKD:8888 2017/06/08
 APPR:AROBERTSON 2017/06/29

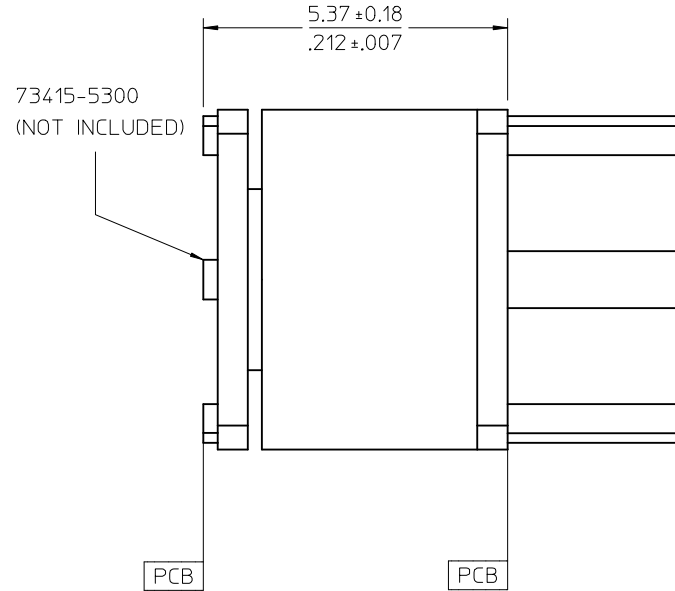
REV	DESCRIPTION
3	

QUALITY SYMBOLS	

GENERAL TOLERANCES (UNLESS SPECIFIED)	
	mm
4 PLACES	± .10
3 PLACES	± .125
2 PLACES	± .15
1 PLACE	± .20
0 PLACE	± .25

DIMENSION STYLE		SCALE	DESIGN UNITS	THIRD ANGLE PROJECTION
MM/IN			METRIC	
DRAWN BY	DATE	TITLE		
SSS	2005/04/19	SMP PLUG SB MOD INTERF		
CHECKED BY	DATE	PCB TH VERT 50 OHM		
TEF	2005/04/19	SMP-P/PCB, EWR-2735		
APPROVED BY	DATE	molex		
JDW	2005/04/19			
MATERIAL NO.	DOCUMENT NO.	SHEET NO.		
SEE TABLE	SD-73415-531	1 OF 2		
DRAFT WHERE APPLICABLE MUST REMAIN WITHIN DIMENSIONS				
THIS DRAWING CONTAINS INFORMATION THAT IS PROPRIETARY TO MOLEX INCORPORATED AND SHOULD NOT BE USED WITHOUT WRITTEN PERMISSION				

73415-5300 MATED TO 73415-5310



CHG:SEE SHEET 1
 EC NO: URF2017-0403
 DRWN:APRAKASHO1 2017/06/08
 CHKD:BBB 2017/06/08
 APPR:AROBERTSON 2017/06/29

REV	DESCRIPTION	QUALITY SYMBOLS
		$\nabla = 0$
		$\nabla = 0$
		$\nabla = 0$

GENERAL TOLERANCES (UNLESS SPECIFIED)	
	MM/IN
4 PLACES	\pm ---
3 PLACES	\pm ---
2 PLACES	± 0.25
1 PLACE	\pm ---
0 PLACE	\pm ---
ANGULAR $\pm 2^\circ$	
DRAFT WHERE APPLICABLE MUST REMAIN WITHIN DIMENSIONS	

DIMENSION STYLE	
MM/IN	
DRAWN BY	DATE
SSS	2005/04/19
CHECKED BY	DATE
TEF	2005/04/19
APPROVED BY	DATE
JDW	2005/04/19
MATERIAL NO.	
SEE SHEET 1	

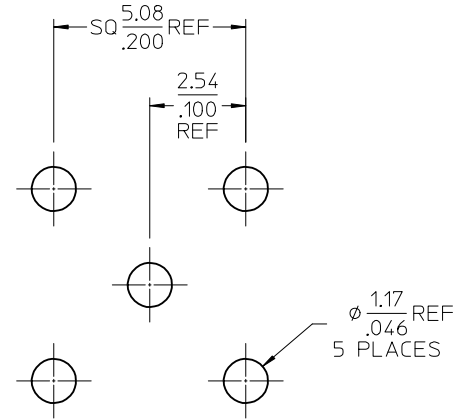
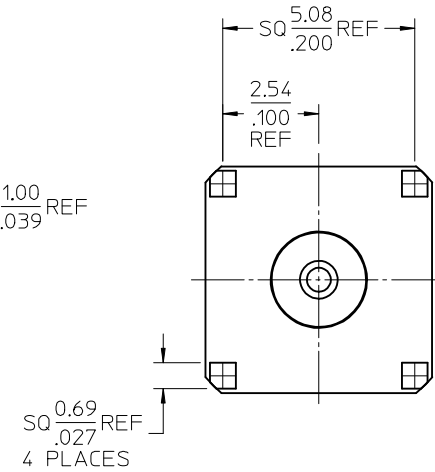
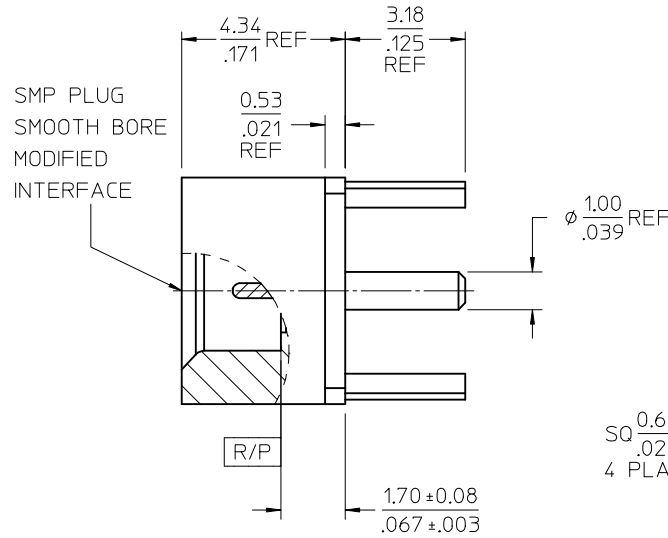
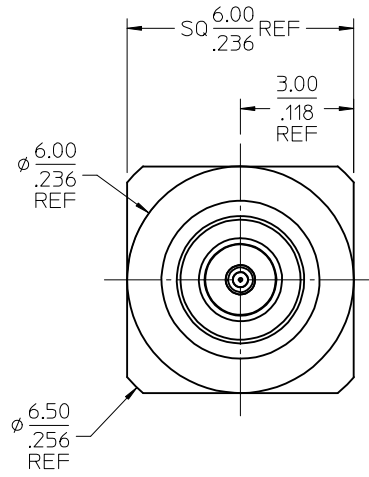
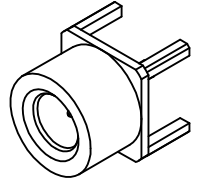
SCALE	DESIGN UNITS	THIRD ANGLE PROJECTION
	METRIC	
TITLE		
SMP PLUG SB MOD INTERF PCB TH VERT 50 OHM SMP-P/PCB, EWR-2735		
molex		
DOCUMENT NO.	SHEET NO.	
SD-73415-531	2 OF 2	
THIS DRAWING CONTAINS INFORMATION THAT IS PROPRIETARY TO MOLEX INCORPORATED AND SHOULD NOT BE USED WITHOUT WRITTEN PERMISSION		

MATERIALS AND FINISHES:

BODY: BRASS
 PLATED: GOLD (10μ-in MIN)
 OVER NICKEL (100μ-in MIN)

CENTER CONTACT: BRASS
 PLATED: GOLD (30μ-in MIN)
 OVER NICKEL (100μ-in MIN)

INSULATOR: PTFE



RECOMMENDED PCB LAYOUT

73415-5310	TRAY
PART NO.	PACKAGING

PS-89675-3320	PRODUCT SPECIFICATION
MIL-STD-348B, FIG. 326.5	INTERFACE
SPECIFICATION	DESCRIPTION

CHG: ADD TOLERANCE TO DIM 1.70/.067 IN E6 ZONE.
 UPD MATERIALS AND FINISHES NOTE.
 EC NO: URF2017-0403
 DRW:APRASHO1 2017/06/08
 CHKD:BBB 2017/06/08
 APPR:AROBERTSON 2017/06/29

REV	DESCRIPTION
3	

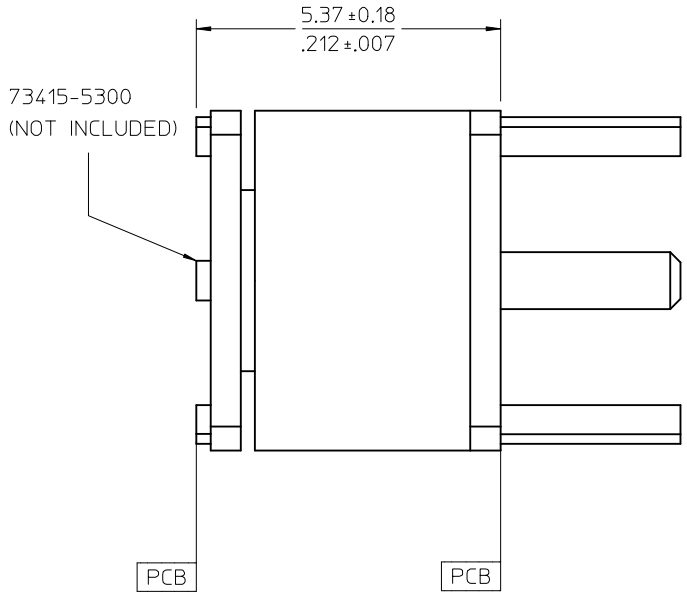
QUALITY SYMBOLS	

GENERAL TOLERANCES (UNLESS SPECIFIED)	
	mm
4 PLACES	± .010
3 PLACES	± .010
2 PLACES	± 0.25
1 PLACE	± .010
0 PLACE	± .010

DIMENSION STYLE		SCALE	DESIGN UNITS	THIRD ANGLE PROJECTION
MM/IN			METRIC	
DRAWN BY	DATE	TITLE		
SSS	2005/04/19	SMP PLUG SB MOD INTERF		
CHECKED BY	DATE	PCB TH VERT 50 OHM		
TEF	2005/04/19	SMP-P/PCB, EWR-2735		
APPROVED BY	DATE	molex		
JDW	2005/04/19			
MATERIAL NO.	DOCUMENT NO.	SHEET NO.		
SEE TABLE	SD-73415-531	1 OF 2		

THIS DRAWING CONTAINS INFORMATION THAT IS PROPRIETARY TO MOLEX INCORPORATED AND SHOULD NOT BE USED WITHOUT WRITTEN PERMISSION

73415-5300 MATED TO 73415-5310



CHG:SEE SHEET 1
EC NO: URF2017-0403
DRAWN:APRAKASHO1 2017/06/08
CHKD:BBB 2017/06/08
APPR:AROBERTSON 2017/06/29

REV	DESCRIPTION	QUALITY SYMBOLS
3		▽=0
		▽=0
		▽=0

GENERAL TOLERANCES (UNLESS SPECIFIED)	
	MM/IN
4 PLACES	± .010
3 PLACES	± .010
2 PLACES	± 0.25
1 PLACE	± .010
0 PLACE	± .010
ANGULAR ± 2 °	
DRAFT WHERE APPLICABLE MUST REMAIN WITHIN DIMENSIONS	

DIMENSION STYLE	
MM/IN	
DRAWN BY	DATE
SSS	2005/04/19
CHECKED BY	DATE
TEF	2005/04/19
APPROVED BY	DATE
JDW	2005/04/19
MATERIAL NO.	
SEE SHEET 1	

SCALE	DESIGN UNITS	THIRD ANGLE PROJECTION
	METRIC	☉
TITLE		
SMP PLUG SB MOD INTERF PCB TH VERT 50 OHM SMP-P/PCB, EWR-2735		
molex		
DOCUMENT NO.		SHEET NO.
SD-73415-531		2 OF 2
SIZE THIS DRAWING CONTAINS INFORMATION THAT IS PROPRIETARY TO MOLEX INCORPORATED AND SHOULD NOT BE USED WITHOUT WRITTEN PERMISSION		