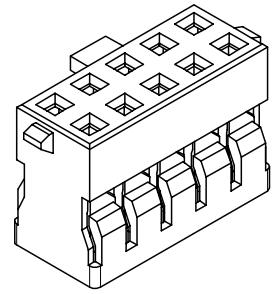
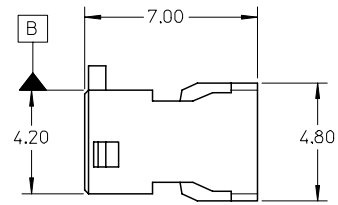
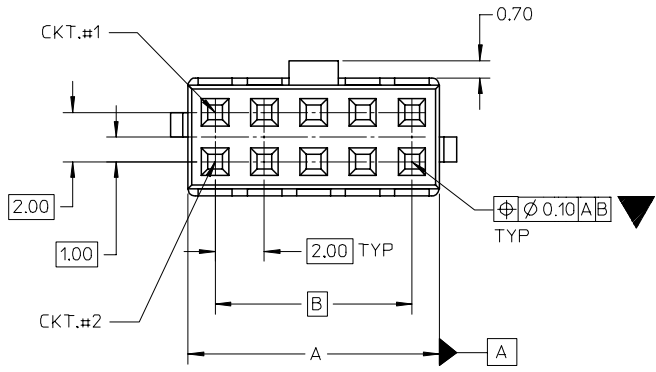
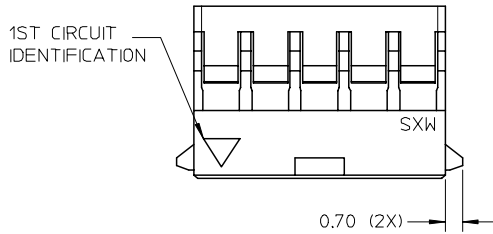


10 9 8 7 6 5 4 3 2 1

PART NUMBER	CKT SIZE	A	B
78045-0460	4	4.20	2.00
78045-0660	6	6.20	4.00
78045-0860	8	8.20	6.00
78045-1060	10	10.20	8.00
78045-1260	12	12.20	10.00



NOTES:

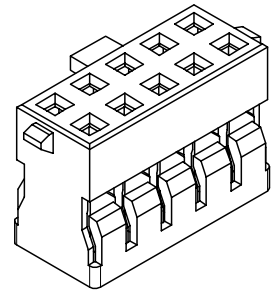
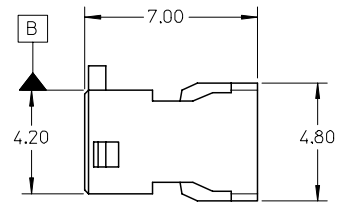
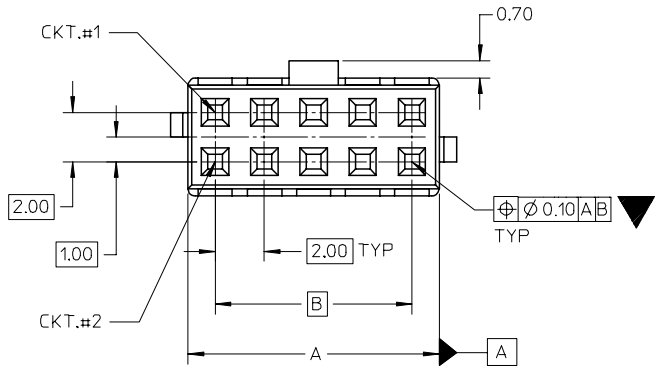
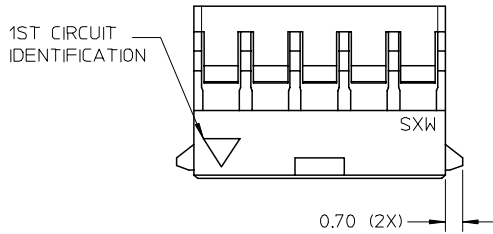
1. MATERIAL: HOUSING - PBT, GLASS FILLED, UL 94V-0, COLOR: BLACK.
2. FOR ILLUSTRATION PURPOSES, 10 CKT SIZE HSG. IS SHOWN.
3. PARTS TO BE USED WITH CRIMP TERMINAL PART NUMBER 50394-8\*\*\*.
4. APPLICABLE WIRE RANGE : AWG #24 - #30.
5. WIRE INSULATION RANGE : DIAMETER 1.40MM MAXIMUM.

REVISED EC NO: S2007-0473 DRWN:SKANG CHKD:MLONG APPR:SKTOH	2006/11/21 2006/11/21 2006/11/22	DESCRIPTION REV	QUALITY SYMBOLS	GENERAL TOLERANCES (UNLESS SPECIFIED) mm INCH 4 PLACES ± --- ± --- 3 PLACES ± --- ± --- 2 PLACES ± 0.2 ± --- 1 PLACE ± --- ± --- ANGULAR ± 1 °	DIMENSION STYLE	SCALE	DESIGN UNITS	THIRD ANGLE PROJECTION
			=1 =0		MM ONLY	NTS	METRIC	
					DRAWN BY	DATE	TITLE	
					CHECKED BY	DATE		
					APPROVED BY	DATE		
					SKTOH	2006/06/09		
					MATERIAL NO.		DOCUMENT NO.	
					SEE TABLE		SD-78045-001	
					DRAFT WHERE APPLICABLE MUST REMAIN WITHIN DIMENSIONS		SHEET NO. 1 OF 1	
					THIS DRAWING CONTAINS INFORMATION THAT IS PROPRIETARY TO MOLEX INCORPORATED AND SHOULD NOT BE USED WITHOUT WRITTEN PERMISSION			

9 8 7 6 5 4 3 2 1

10 9 8 7 6 5 4 3 2 1

PART NUMBER	CKT SIZE	A	B
78045-0460	4	4.20	2.00
78045-0660	6	6.20	4.00
78045-0860	8	8.20	6.00
78045-1060	10	10.20	8.00
78045-1260	12	12.20	10.00



NOTES:

1. MATERIAL: HOUSING - PBT, GLASS FILLED, UL 94V-0, COLOR: BLACK.
2. FOR ILLUSTRATION PURPOSES, 10 CKT SIZE HSG. IS SHOWN.
3. PARTS TO BE USED WITH CRIMP TERMINAL PART NUMBER 50394-8\*\*\*.
4. APPLICABLE WIRE RANGE : AWG #24 - #30.
5. WIRE INSULATION RANGE : DIAMETER 1.40MM MAXIMUM.

REVISED EC NO: S2007-0473 DRWN:SKANG CHKD:MLONG APPR:SKTOH	2006/11/21 2006/11/21 2006/11/22	DESCRIPTION MGRID, 2MM, W-T-B CRIMP RECEPTACLE HSG W/SIDE LOCKS	QUALITY SYMBOLS	GENERAL TOLERANCES (UNLESS SPECIFIED)	DIMENSION STYLE	SCALE	DESIGN UNITS	THIRD ANGLE PROJECTION
			$\nabla=1$ $\nabla C=0$	mm    INCH	MM ONLY	NTS	METRIC	
				4 PLACES ± --- ± --- 3 PLACES ± --- ± --- 2 PLACES ± 0.2 ± --- 1 PLACE ± --- ± ---	DRAWN BY DATE SKANG 2006/05/15 CHECKED BY DATE MLONG 2006/06/05 APPROVED BY DATE SKTOH 2006/06/09	TITLE		
				ANGULAR ± 1 °	MATERIAL NO.	DOCUMENT NO.	SHEET NO.	
		DRAFT WHERE APPLICABLE MUST REMAIN WITHIN DIMENSIONS	SIZE	SEE TABLE	SD-78045-001	1 OF 1		

9 8 7 6 5 4 3 2 1