

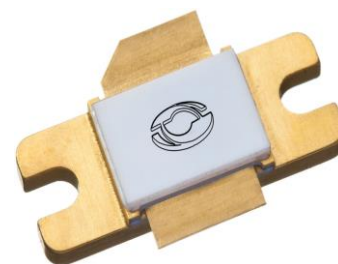
0912GN-300V

300 Watts - 50 Volts, 128 μ s, 10%
Broad Band Data Link 960 - 1215 MHz

GENERAL DESCRIPTION

The 0912GN-300V is an internally matched, COMMON SOURCE, class AB GaN on SiC HEMT transistor capable of providing typical over 19dB gain, 300 Watts of pulsed RF output power at 128 μ s pulse width, 10% duty factor across the 960 to 1215 MHz band. The transistor has internal pre-match for optimal performance. This hermetically sealed transistor can be used for Broadband Avionics Data Link applications. It utilizes gold metallization and eutectic attach to provide highest reliability and superior ruggedness.

CASE OUTLINE 55-KR Common Source



ABSOLUTE MAXIMUM RATINGS

Maximum Power Dissipation

Device Dissipation @ 25°C 650W

Maximum Voltage and Current

Drain-Source Voltage (V_{DSS}) 150 V

Gate-Source Voltage (V_{GS}) -8 to +0 V

Maximum Temperatures

Storage Temperature (T_{STG}) -55 to +125°C

Operating Junction Temperature +225 °C

ELECTRICAL CHARACTERISTICS @ 25°C

Symbol	Characteristics	Test Conditions	Min	Typ	Max	Unit
Pout	Output Power	Pout=300W, Freq=960,1030,1090,1150,1215MHz	300	320		W
Gp	Power Gain	Pout=300W, Freq=960,1030,1090,1150,1215 MHz	18	19		dB
η_d	Drain Efficiency	Pout=300W, Freq=960, 1030,1090, 1150,1215 MHz	52	60		%
Dr	Droop	Pout=300W, Freq=960, 1030,1090, 1150,1215 MHz		0.5	0.8	dB
VSWR-T	Load Mismatch	Pout=300W, Freq= 1215MHz			3:1	
Θ_{jc}	Thermal Resistance	Pout=300W, PW=128us, 10%			0.62	°C/W

- Bias Condition: Vdd=+50V, Idq=60mA average current (V_{GS} = -2.0 ~ -4.5V) with constant gate bias

FUNCTIONAL CHARACTERISTICS @ 25°C

$I_{D(Off)}$	Drain leakage current	$V_{GS} = -8V, V_D = 150V$			14	mA
$I_{G(Off)}$	Gate leakage current	$V_{GS} = -8V, V_D = 0V$			6	mA
BV_{DSS}	Minimum Drain-source breakdown voltage	$V_{GS} = -8V, I_D = 14mA$	150			V

Export Classification: EAR-99

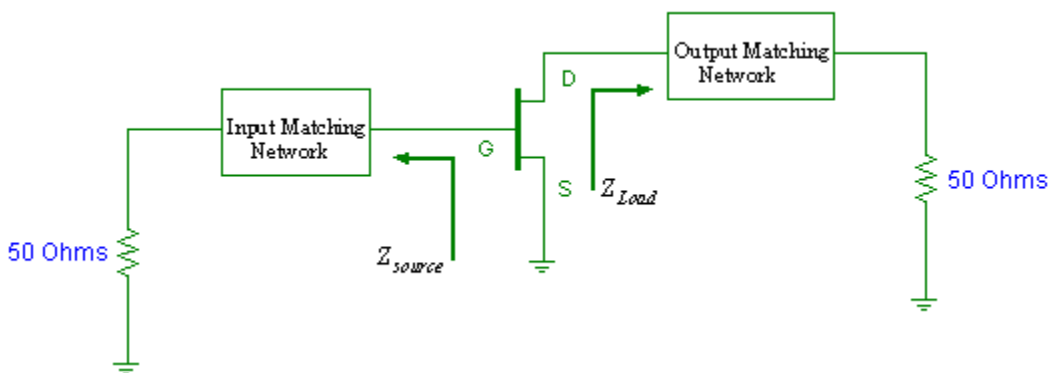
Preliminary Issue July 2016

For the most current data, consult MICROSEMI's website: www.MICROSEMI.com
Specifications are subject to change, consult the RFIS factory at (408) 986-8031 for the latest information

Typical test data Vdd=50V, Idq=50mA, 128us @10%

Frequency	Pin (W)	Pout (W)	Id (A)	RL (dB)	Eff (%)	Gp (dB)	Droop (dB)
960MHz	4	350	1.21	-8.5	60	19.4	.40
1030MHz	4	335	1.09	-8.2	63	19.2	.30
1090MHz	4	350	1.04	-8.5	70	19.4	.30
1150MHz	4	324	1.08	-15	58	19.1	.30
1215MHz	4	313	1.03	-15	64	19	.30

TRANSISTOR IMPEDANCE INFORMATION



Note: Z_{source} is looking into the input circuit;
 Z_{Load} is looking into the output circuit.

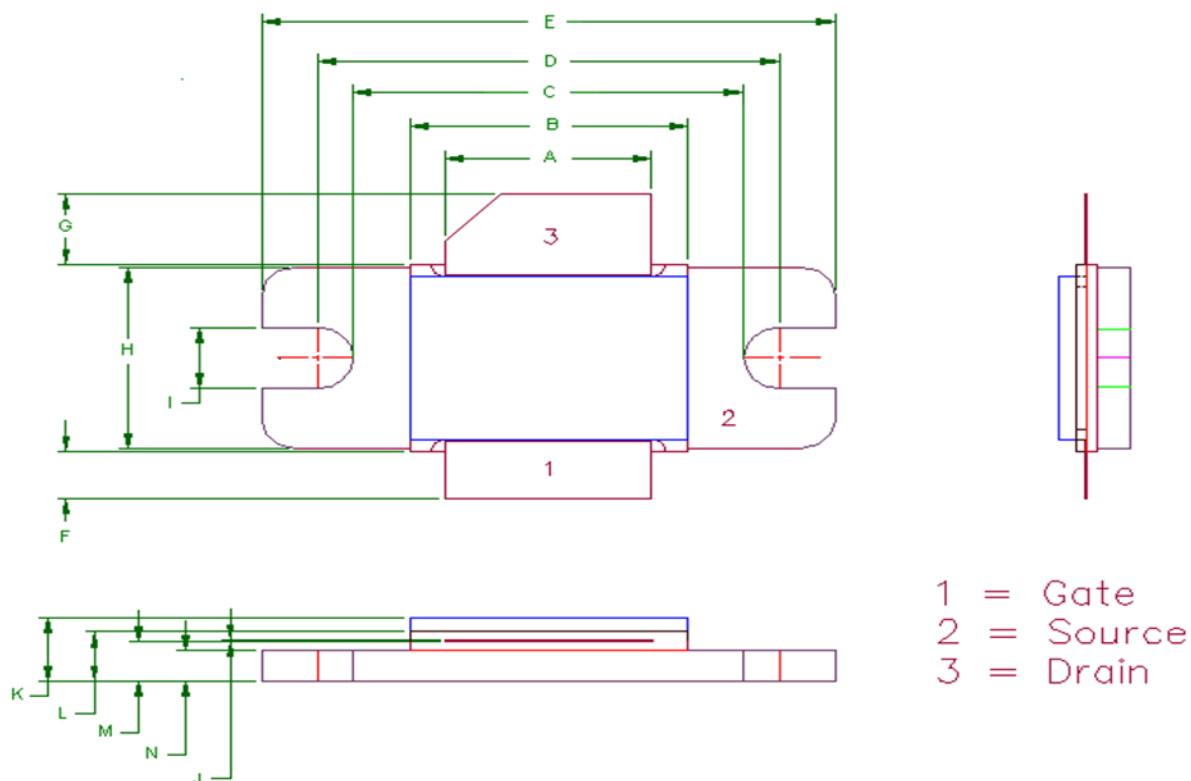
Impedance Data		
Freq (GHz)	Z_{source}	Z_{Load}
0.96	$2.15 - j0.85$	$2.40 + j0.75$
1.09	$2.10 + j0.55$	$2.35 + j1.40$
1.215	$2.15 + j0.17$	$1.95 + j2.20$

Please contact our representative for the RF test circuit

0912GN-300V

300 Watts - 50 Volts, 128 μ s, 10%
Broad Band Data Link 960 - 1215 MHz

55-KR PACKAGE DIMENSION



Dimension	Min (mil)	Min (mm)	Max (mil)	Max (mm)
A	370	9.40	372	9.44
B	498	12.65	500	12.7
C	700	17.78	702	17.83
D	830	21.08	832	21.13
E	1030	26.16	1032	26.21
F	101	2.56	102	2.59
G	151	3.84	152	3.86
H	385	9.78	387	9.83
I	130	3.30	132	3.35
J	003	.076	004	0.10
K	135	3.43	137	3.48
L	105	2.67	107	2.72
M	085	2.16	86	2.18
N	065	1.65	66	1.68



0912GN-300V

800 Watts - 50 Volts, 128 μ s, 10%
Broad Band Data Link 960 - 1215 MHz

The information contained in the document is PROPRIETARY AND CONFIDENTIAL information of Microsemi and cannot be copied, published, uploaded, posted, transmitted, distributed or disclosed or used without the express duly signed written consent of Microsemi. If the recipient of this document has entered into a disclosure agreement with Microsemi, then the terms of such Agreement will also apply. This document and the information contained herein may not be modified, by any person other than authorized personnel of Microsemi. No license under any patent, copyright, trade secret or other intellectual property right is granted to or conferred upon you by disclosure or delivery of the information, either expressly, by implication, inducement, estoppels or otherwise. Any license under such intellectual property rights must be approved by Microsemi in writing signed by an officer of Microsemi.

Microsemi reserves the right to change the configuration, functionality and performance of its products at anytime without any notice. This product has been subject to limited testing and should not be used in conjunction with life-support or other mission-critical equipment or applications. Microsemi assumes no liability whatsoever, and Microsemi disclaims any express or implied warranty, relating to sale and/or use of Microsemi products including liability or warranties relating to fitness for a particular purpose, merchantability, or infringement of any patent, copyright or other intellectual property right. The product is subject to other terms and conditions which can be located on the Web at <http://www.microsemi.com/legal/tnc.asp>.

Revision History

Revision Level / Date	Para. Affected	Description
02/ July. 2016	-	Release Preliminary release

For the most current data, consult MICROSEMI's website: www.MICROSEMI.com
Specifications are subject to change, consult the RFIS factory at [\(408\) 986-8031](tel:408-986-8031) for the latest information



*For the most current data, consult MICROSEMI's website: www.MICROSEMI.com
Specifications are subject to change, consult the RFIS factory at [\(408\) 986-8031](tel:4089868031) for the latest information*