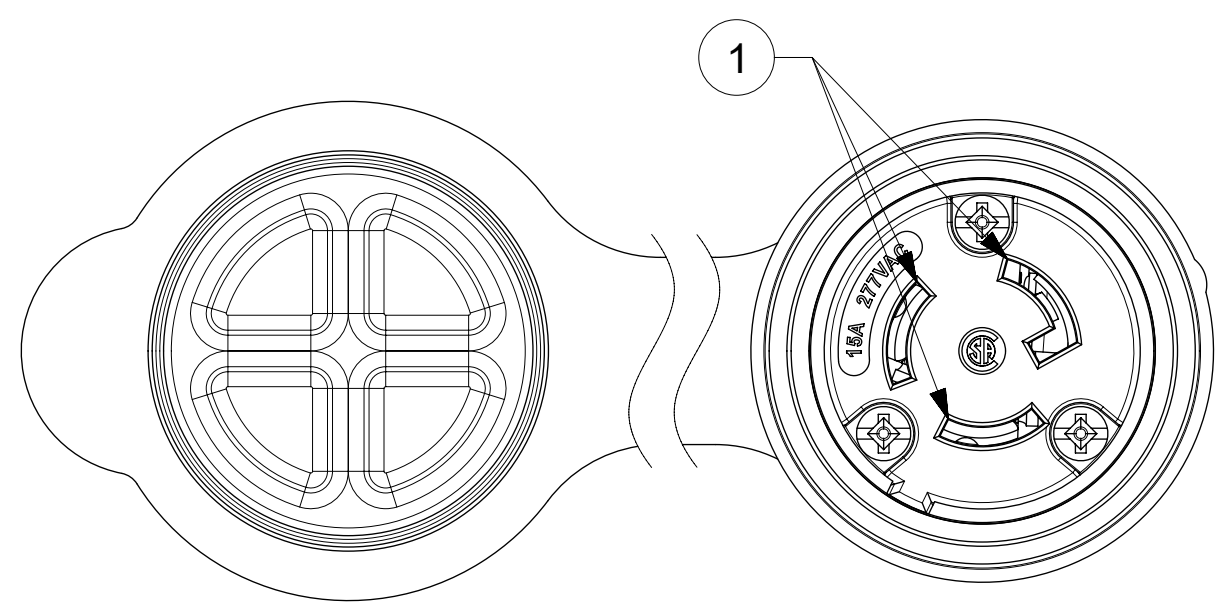
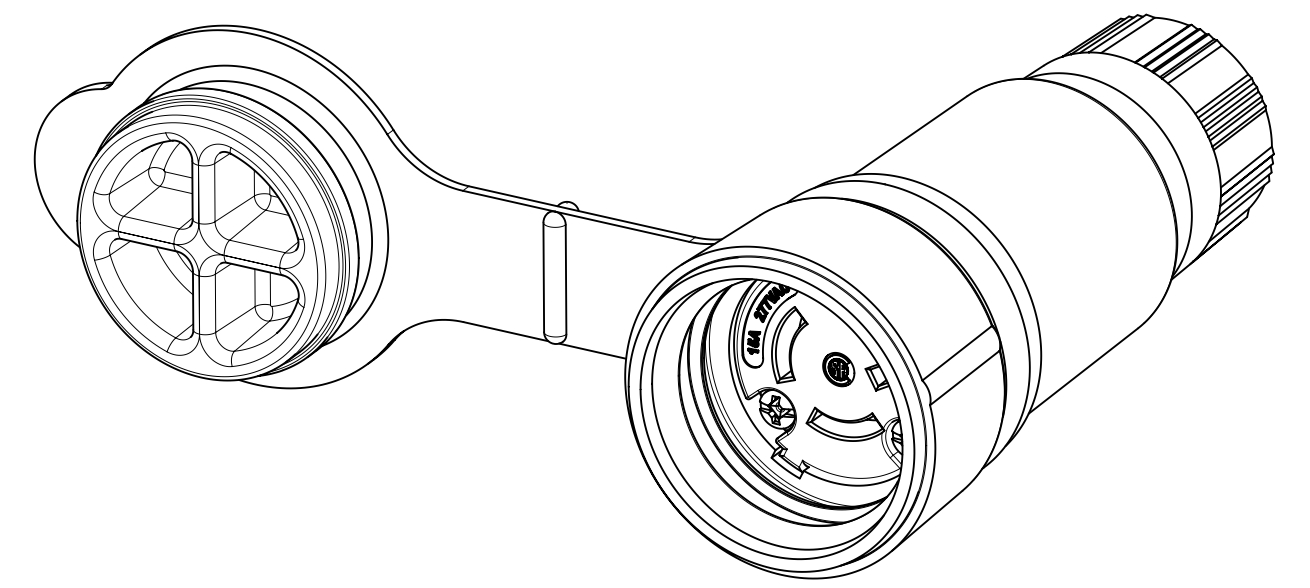
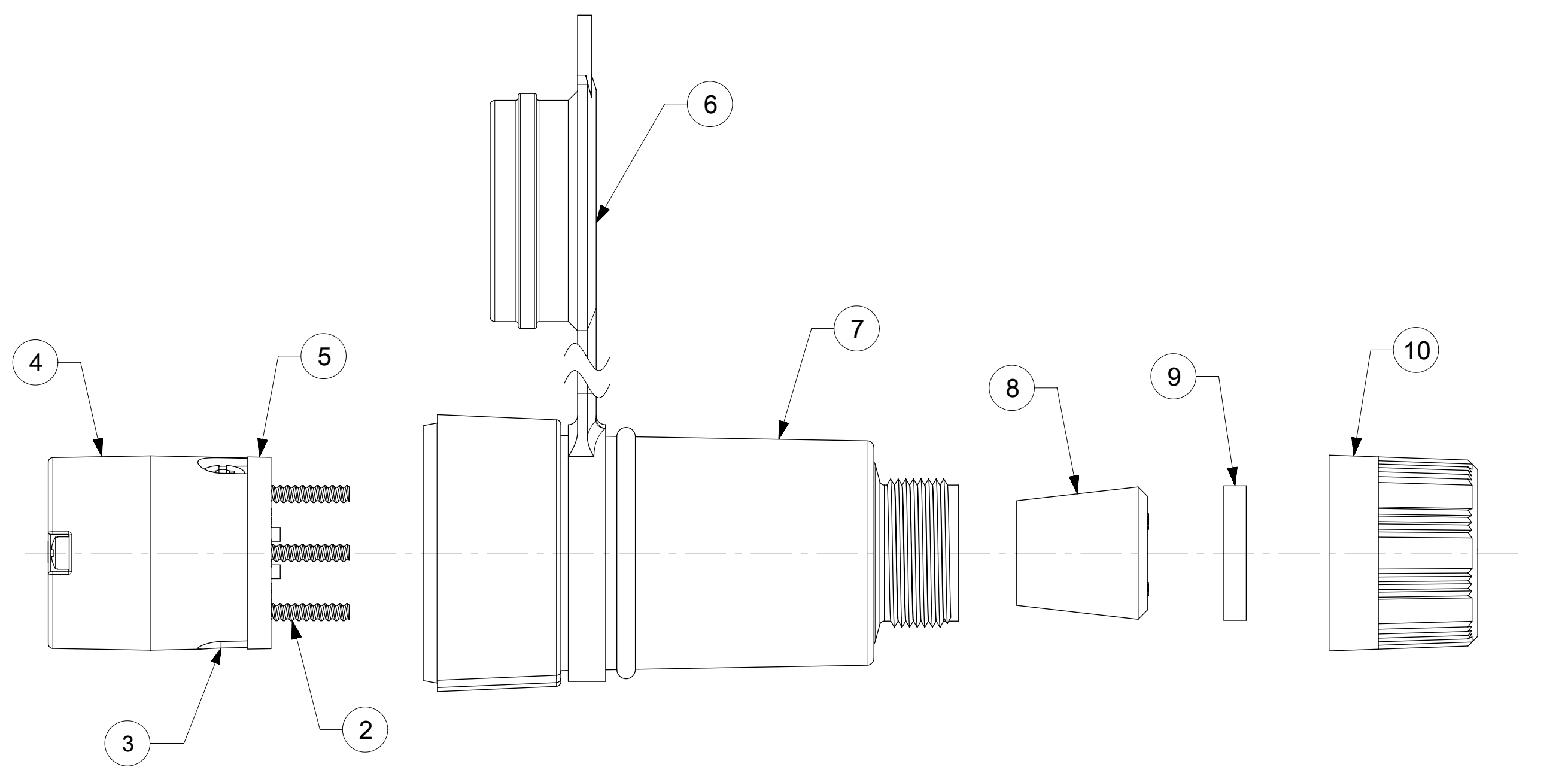
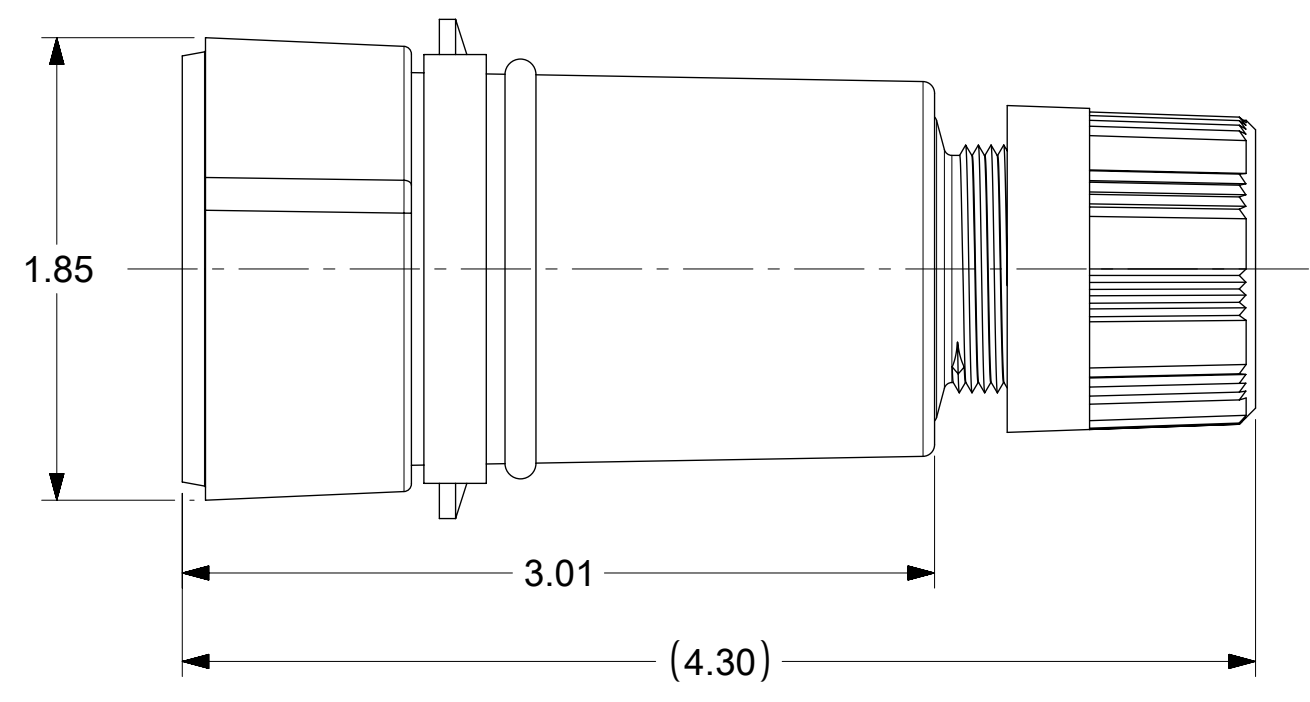


ORDER NO.	WOODHEAD NO.	COLOR
130146-0216	25W34-P	YELLOW
130146-0217	25W34BLK-P	BLACK



FACE VIEW



ITEM NO.	DESCRIPTIONS	MATERIAL	QTY.
1	BLADES	BRASS	3
2	RETAINING SCREWS	STAINLESS STEEL	3
3	TERMINAL SCREWS	BRASS, ZINC PLATED	3
4	INSERT	NYLON	1
5	TERMINAL COVER	POLYCARBONATE	1
6	FLIP COVER	SILICON	1
7	HOUSING	RUBBER WITH NYLON THREAD	1
8	GROMMETS	RUBBER	5
9	FRICTION RING	NYLON	1
10	COMPRESSION NUT	NYLON	1

NOTES:
 1. SEE INSTRUCTION SHEET NUMBER 1301414770 FOR PRODUCT SPECIFICATION.
 2. CABLE RANGE FROM 0.375" TO 0.625"

SYMBOLS		THIS DRAWING CONTAINS INFORMATION THAT IS PROPRIETARY TO MOLEX ELECTRONIC TECHNOLOGIES, LLC AND SHOULD NOT BE USED WITHOUT WRITTEN PERMISSION		CURRENT REV DESC: RELEASED	
▽ = 0	DIMENSION UNITS	SCALE			
▽ = 0	INCH	NTS			
▽ = 0	GENERAL TOLERANCES (UNLESS SPECIFIED)				
▽ = 0	ANGULAR TOL	± 0.5°			
▽ = 0	4 PLACES	±			
▽ = 0	3 PLACES	± 0.005			
▽ = 0	2 PLACES	± 0.01			
▽ = 0	1 PLACE	± 0.02			
⊠ = 0	0 PLACES	±			
■ = 0	DRAFT WHERE APPLICABLE MUST REMAIN WITHIN DIMENSIONS				
▽ = 0	THIRD ANGLE PROJECTION				
		DRAWING	SERIES		
		C-SIZE	130146		
		EC NO: 613684			
		DRWN: ABABU01		2018/11/27	
		CHK'D: DNGUYEN62		2019/03/15	
		APPR: HKNEELAND		2019/03/21	
		INITIAL REVISION:			
		DRWN: ABABU01		2018/11/27	
		APPR: HKNEELAND		2019/03/21	
DOCUMENT NUMBER		DOC TYPE	DOC PART	REVISION	
1301460216		PSD	000	A	
MATERIAL NUMBER		CUSTOMER		SHEET NUMBER	
SEE TABLE		GENERAL MARKET		1 OF 1	