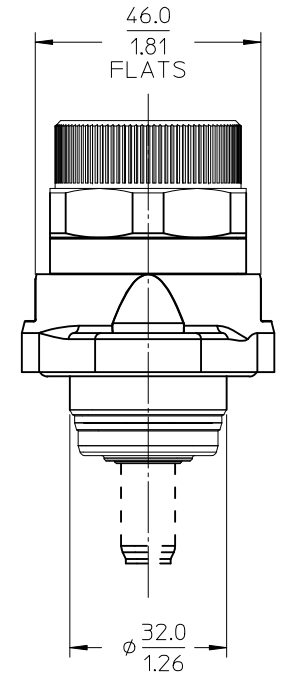
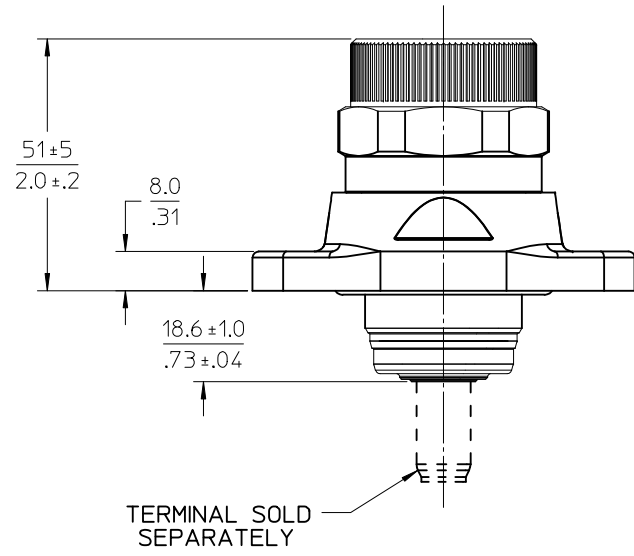
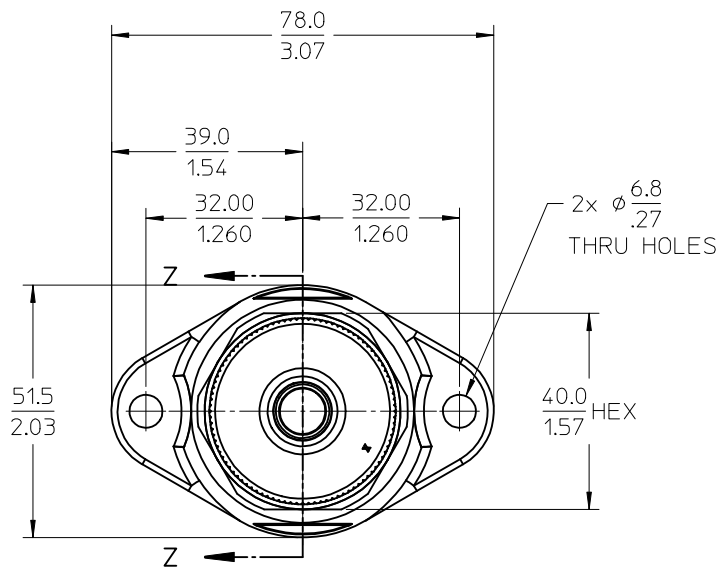


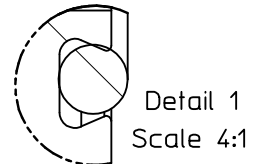
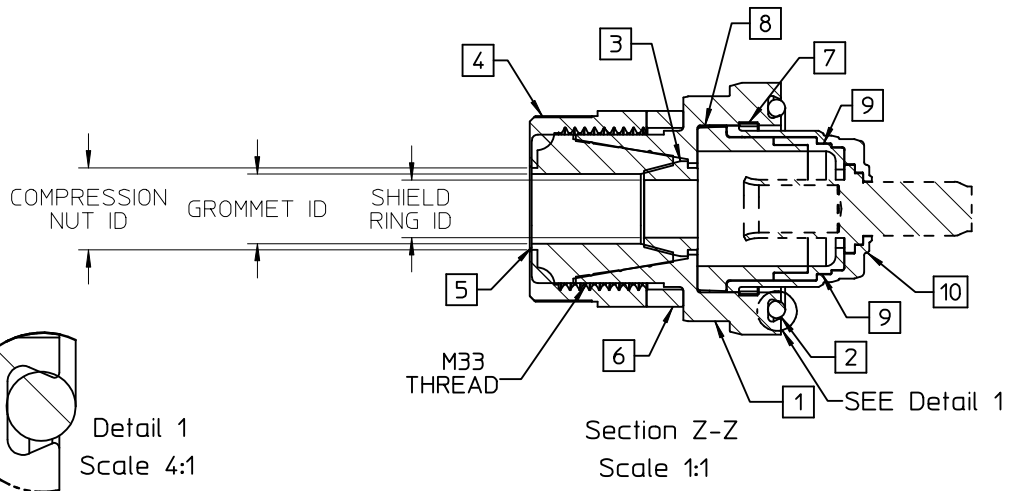
10	9	8	7	6	5	4	3	2	1
SINGLE ASSEMBLY PART NO.	KIT ASSEMBLY PART NO.	WIRE AWG	GROMMET	COLOR	O-RING	COLOR	CABLE SEALING RANGE		
1301990075	1301990175	1	HNBR	BLACK	HNBR	BLACK	11.10/.437 - 14.27/.562		
1301990070	1301990170	1/0	HNBR	BLACK	HNBR	BLACK	14.27/.562 - 15.88/.625		
1301990065	1301990165	2/0	HNBR	BLACK	HNBR	BLACK	15.88/.625 - 17.45/.687		
1301990275	1301990375	1	SILICONE	RUST RED	SILICONE	RUST RED	11.10/.437 - 14.27/.562		
1301990270	1301990370	1/0	SILICONE	RUST RED	SILICONE	RUST RED	14.27/.562 - 15.88/.625		
1301990265	1301990365	2/0	SILICONE	RUST RED	SILICONE	RUST RED	15.88/.625 - 17.45/.687		



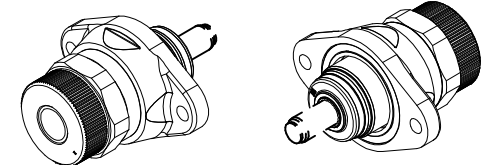
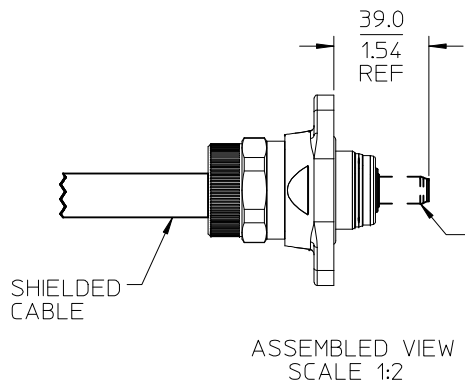
NOTES:
 1. MATERIALS:
 GRIP BODY: ALUMINUM ALLOY
 FINISH: ELECTROLESS NICKEL PLATING
 COMPRESSION NUT: ALUMINUM ALLOY
 FINISH: ELECTROLESS NICKEL PLATING
 SHIELD RING: ALUMINUM ALLOY
 FINISH: ELECTROLESS NICKEL PLATING
 STOP RING: ALUMINUM ALLOY
 FINISH: ELECTROLESS NICKEL PLATING
 GROMMET: SEE CHART
 HNBR HARDNESS: SHORE 70A DUROMETER
 SILICONE HARDNESS: SHORE 70A DUROMETER
 O-RING: SEE CHART
 HNBR HARDNESS: SHORE 90A DUROMETER
 SILICONE HARDNESS: SHORE 70A DUROMETER
 INSULATING RETAINER SUB-ASSEMBLY: PBT
 COLOR: BLACK, FLAMMABILITY: UL94 V-0
 RETAINING RING: CARBON STEEL
 2. PRODUCT SPECIFICATION: TBD
 3. PACKAGING SPECIFICATION: PK-130199-001 & PK-130199-003
 4. ASSEMBLY SPECIFICATION: AS-130199-005
 5. ALL MATERIALS ARE ROHS COMPLIANT.

UPDATE TOLS, DIMS, AND NOTES EC NO: IPG2016-0883 TIDRWANWLEUNG 2015/12/29 CHKD:GSUDHINI 2015/12/29 APPR:APATEL 2016/03/10	QUALITY SYMBOLS	GENERAL TOLERANCES (UNLESS SPECIFIED)	DIMENSION STYLE	SCALE	DESIGN UNITS	THIRD ANGLE PROJECTION																		
	$\nabla = 0$ $\nabla = 0$ $\nabla = 0$	<table border="1"> <thead> <tr> <th></th> <th>mm</th> <th>INCH</th> </tr> </thead> <tbody> <tr> <td>4 PLACES</td> <td>± ---</td> <td>± ---</td> </tr> <tr> <td>3 PLACES</td> <td>± ---</td> <td>± .015</td> </tr> <tr> <td>2 PLACES</td> <td>± 0.40</td> <td>± .03</td> </tr> <tr> <td>1 PLACE</td> <td>± 0.8</td> <td>± ---</td> </tr> <tr> <td>0 PLACE</td> <td>± ---</td> <td>± ---</td> </tr> </tbody> </table>		mm	INCH	4 PLACES	± ---	± ---	3 PLACES	± ---	± .015	2 PLACES	± 0.40	± .03	1 PLACE	± 0.8	± ---	0 PLACE	± ---	± ---	MM/IN	1:1	METRIC	
		mm	INCH																					
	4 PLACES	± ---	± ---																					
3 PLACES	± ---	± .015																						
2 PLACES	± 0.40	± .03																						
1 PLACE	± 0.8	± ---																						
0 PLACE	± ---	± ---																						
DESCRIPTION	ANGULAR ± 3° DRAFT WHERE APPLICABLE MUST REMAIN WITHIN DIMENSIONS	DRAWN BY DATE WLEUNG 2014/07/15 CHECKED BY DATE BRUPERT 2014/07/15 APPROVED BY DATE BWOODMAN 2014/08/19	TITLE	PLUGGABLE MAX-LOC PLUS SHIELDED CORD GRIP ASSEMBLY, CRIMP, M33 THD molex																				
REV		MATERIAL NO.	SEE CHART	DOCUMENT NO.	SD-130199-008	SHEET NO. 1 OF 2																		
		SIZE B	THIS DRAWING CONTAINS INFORMATION THAT IS PROPRIETARY TO MOLEX INCORPORATED AND SHOULD NOT BE USED WITHOUT WRITTEN PERMISSION																					

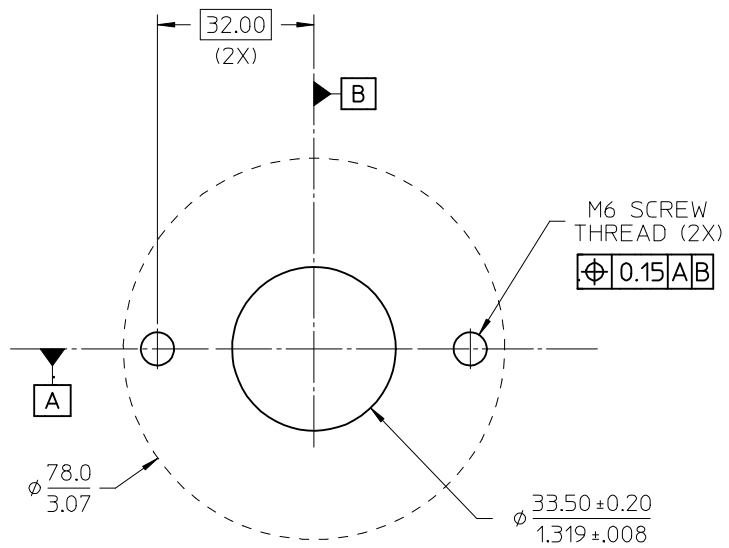
ITEM NO.	DESCRIPTION
1	GRIP BODY, M33 THREAD
2	O-RING, AS-568-222
3	SHIELD RING (1 AWG & 35MM ²), 14.6MM/0.57" ID
	SHIELD RING (1/0 AWG), 15.6MM/0.62" ID
	SHIELD RING (2/0 AWG), 18.9MM/0.74" ID
4	COMPRESSION NUT (1AWG & 35MM ²), 16.8MM/.66" ID
	COMPRESSION NUT (1/0AWG), 18.40MM/.73" ID
	COMPRESSION NUT (2/0AWG), 20.0MM/.79" ID
5	GROMMET (1 AWG & 35MM ²), 14.3MM/.56" ID
	GROMMET (1/0 AWG), 15.9/.63" ID
	GROMMET (2/0 AWG), 17.5MM/.69" ID
6	STOP RING, 33MM ID, 7.5MM THICK
7	RETAINING RING
8	INSULATING RETAINER, MAIN, FOR CRIMP TERMINAL
9	INSULATING RETAINER, CLIP, FOR CRIMP TERMINAL (X2)
10	INSULATING RETAINER, CAP, FOR CRIMP TERMINAL



DUAL DOVETAIL
O-RING GROOVE



MOLEX IMPERIUM PLUS
CRIMP MALE TERMINAL
P/N 171423-XXXX
(TERMINAL SOLD SEPARATELY)



SEAL SURFACE ZONE
WITHIN $\phi 78.0$ AREA:
SURFACE FINISH REQUIRED $\nabla 3.2/$
FLATNESS REQUIRED $\square 0.2$

RECOMMENDED PANEL
MOUNT OPENING

UPDATE PANEL MOUNT, ADD O-RING GRV EC NO: IPGZ016-0883 DRAWN: WLEUNG 2015/12/09 CHKD: GSUDHINI 2015/12/29 APPR: APATEL 2016/03/10	QUALITY SYMBOLS $\nabla 3.2/ = 0$ $\square 0.2 = 0$ $\nabla 3.2/ = 0$	GENERAL TOLERANCES (UNLESS SPECIFIED)		DIMENSION STYLE MM/IN		SCALE 1:2	DESIGN UNITS METRIC	THIRD ANGLE PROJECTION		
		4 PLACES \pm --- \pm ---	3 PLACES \pm --- \pm .015	2 PLACES \pm 0.40 \pm .03	1 PLACE \pm 0.8 \pm ---	0 PLACE \pm --- \pm ---	DRAWN BY WLEUNG	DATE 2014/07/15	TITLE PLUGGABLE MAX-LOC PLUS SHIELDED CORD GRIP ASSEMBLY, CRIMP, M33 THD	
T	REV	ANGULAR $\pm 3^\circ$ DRAFT WHERE APPLICABLE MUST REMAIN WITHIN DIMENSIONS		MATERIAL NO. SEE CHART		APPROVED BY BWOODMAN		DATE 2014/08/19	DOCUMENT NO. SD-130199-008	
		SIZE B		THIS DRAWING CONTAINS INFORMATION THAT IS PROPRIETARY TO MOLEX INCORPORATED AND SHOULD NOT BE USED WITHOUT WRITTEN PERMISSION		SHEET NO. 2 OF 2				