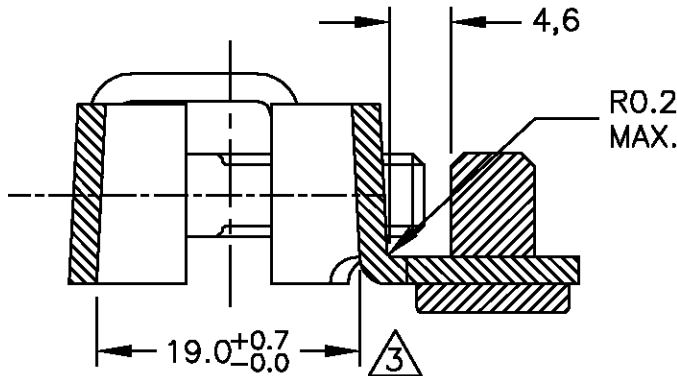
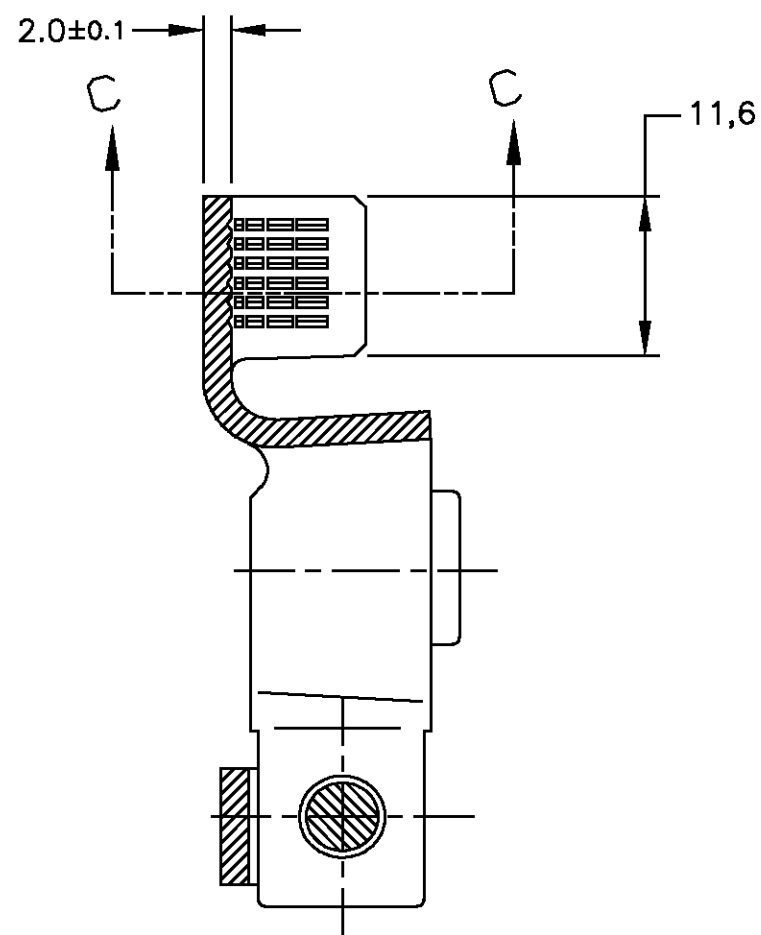


THIS DRAWING IS UNPUBLISHED. RELEASED FOR PUBLICATION .19
 © COPYRIGHT 19 BY AMP INCORPORATED. ALL RIGHTS RESERVED.

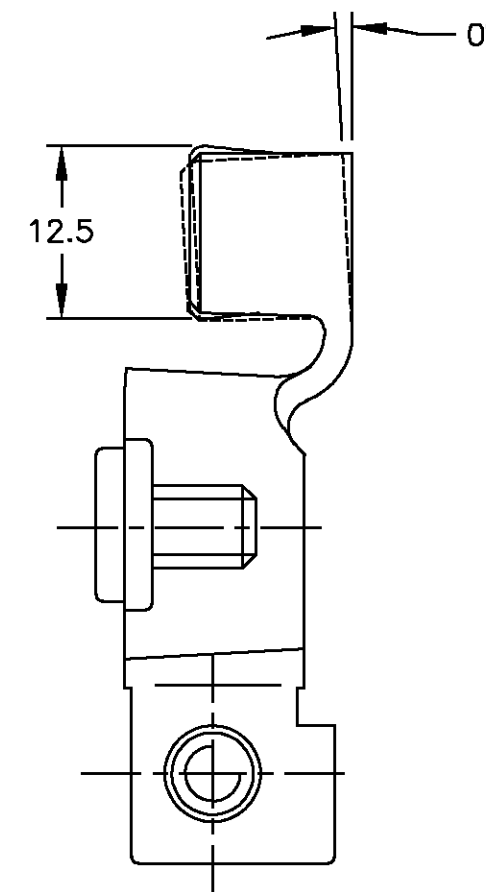
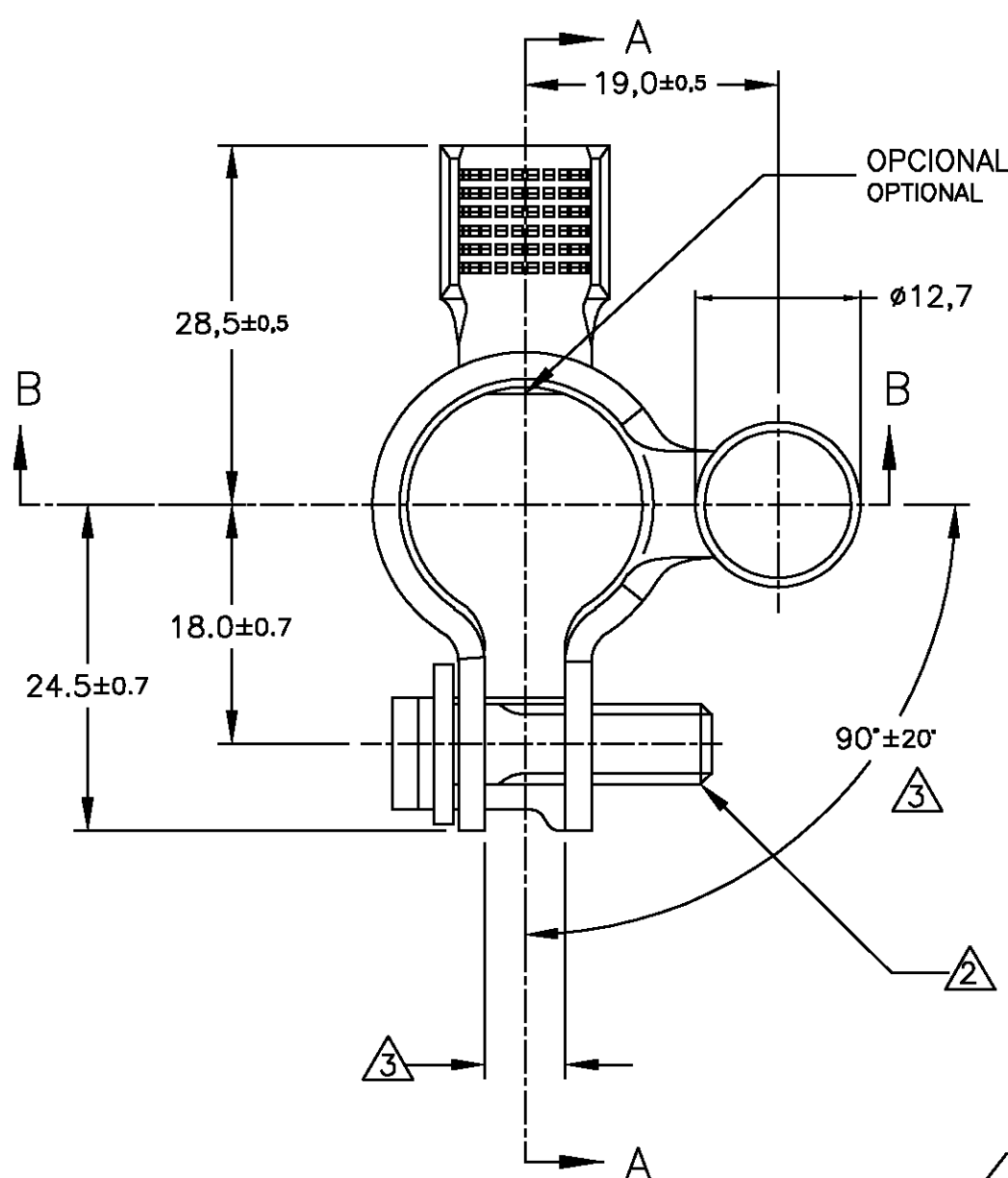
LOC		DIST		REVISIONS			
P	LTR	DESCRIPTION	DATE	DWN	APVD		
AP		F	REVISADO POR LE10-0216/05	17MAI05	DCB	PLF	



CORTE B-B
SECTION B-B

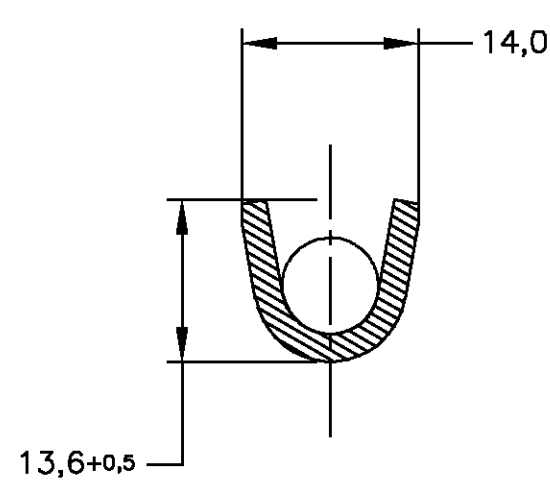


CORTE A-A
SECTION A-A

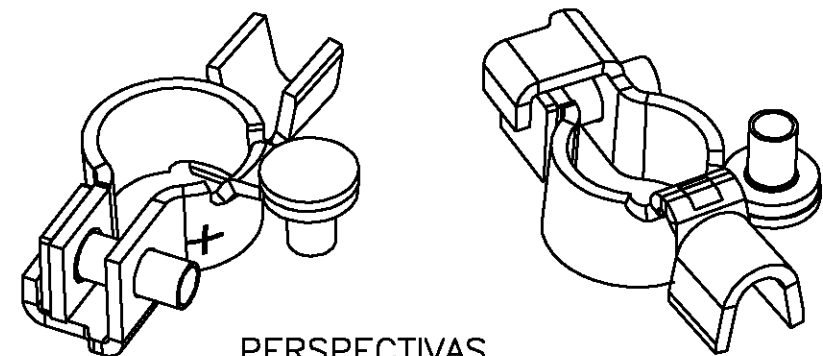


GRAVAÇÃO MARKING
LOGOTIPO AMP AMP LOGO
MARCA REGISTRADA FORD FORD TRADEMARK
SINAL POSITIVO (+) POSITIVE SIGN (+)

- △ - PARAFUSO M6X10, CLASSE 10.9 DE ACORDO COM ISO 898;
- ZINCO, RESISTÊNCIA DO SPRAY: 72 HORAS, DE ACORDO COM ASTM-B-117, NÃO DEVE APRESENTAR CORROSÃO VERMELHA NO METAL BASE;
- △ - PARAFUSO M6X15, CLASSE 8.8 DE ACORDO COM ISO 898;
- ZINCO, RESISTÊNCIA DO SPRAY: 72 HORAS, DE ACORDO COM ASTM-B-117, NÃO DEVE APRESENTAR CORROSÃO VERMELHA NO METAL BASE;
- △ - FECHAR A ABERTURA DO TERMINAL PARA 4.5 ± 0.2 PARA INSPECIONAR ESTAS DIMENSÕES;
- △ - VER DESENHO DE CLIENTE RESTRITO 1380259-1.
- ⊙ △ - SCREW M6X10, CLASS 10.9, ACCORDING TO ISO 898;
- ZINC, SALT SPRAY RESISTANCE: 72 HOURS, ACCORDING TO ASTM-B-117, SHALL NOT PRESENT RED CORROSION IN THE BASE METAL;
- ⊙ △ - SCREW M6X15, CLASS 8.8, ACCORDING TO ISO 898;
- ZINC, SALT SPRAY RESISTANCE: 72 HOURS, ACCORDING TO ASTM-B-117, SHALL NOT PRESENT RED CORROSION IN THE BASE METAL;
- △ - CLOSE THE OPEN ENDS TO 4.5 ± 0.2 INSPECT THESE DIMENSIONS;
- △ - SEE RESTRICTED CUSTOMER DRAWING 1380259-1.



CORTE C-C
SECTION C-C



PERSPECTIVAS
ESCALA 1:1
PERSPECTIVE VIEWS
SCALE 1:1

WIRE RANGE (mm2)	NOTE	FINISH	MATERIAL	PART NUMBER
16,0-20,0	THIS DRAWING IS A CONTROLLED DOCUMENT.	D3JUL01	AMP	1380259-1
	DWN H.LIVERARO	03JUL01	AMP do Brasil Ltda.	
	CHK P.L.FARIA	03JUL01	São Paulo - Brasil	
	APVD J.A.MARSON	03JUL01		
DIMENSIONS: MM	TOLERANCES UNLESS OTHERWISE SPECIFIED:	PRODUCT SPEC	BATTERY TERMINAL, POSITIVE	
0 PLC ± -	1 PLC ± 0,3	APPLICATION SPEC	SIZE	CAGE CODE
2 PLC ± -	3 PLC ± -		A2	00779
4 PLC ± -	ANGLES ± 1	WEIGHT	DRAWING NO	RESTRICTED TO
MATERIAL SEE TABLE	SEE TABLE		©=1380259	
		CUSTOMER DRAWING	SCALE 1:1	SHEET 1 OF 1

1380259

A