

Housing - HC-B 16-KMQ-N-O1STM32 - 1460093

Please be informed that the data shown in this PDF Document is generated from our Online Catalog. Please find the complete data in the user's documentation. Our General Terms of Use for Downloads are valid (<http://phoenixcontact.com/download>)



HEAVYCON B16 coupling housing, with double locking latch, height: 70.5 mm, with 1 x M32 thread, straight cable outlet

RoHS

Key Commercial Data

Packing unit	10 pc
GTIN	
GTIN	4046356695824

Technical data

Dimensions

Height	70.5 mm
Width	43 mm
Length	94 mm

Ambient conditions

Degree of protection of housing (IP)	IP65
Ambient temperature (operation)	-40 °C ... 125 °C

General

Note	For contact inserts HC-B16, BB32, BBB40, D40, DD72, HS6, M, K
Size	B16
Housing type	Coupling housings
Locking type	with double locking latch
No. of cable outlets	1
Cable outlet	straight
Screw connection	none
Type of the screw connection	1x M32
Housing material	Aluminum die-cast
Housing surface material	Powder-coated, gray

Housing - HC-B 16-KMQ-N-O1STM32 - 1460093

Technical data

General

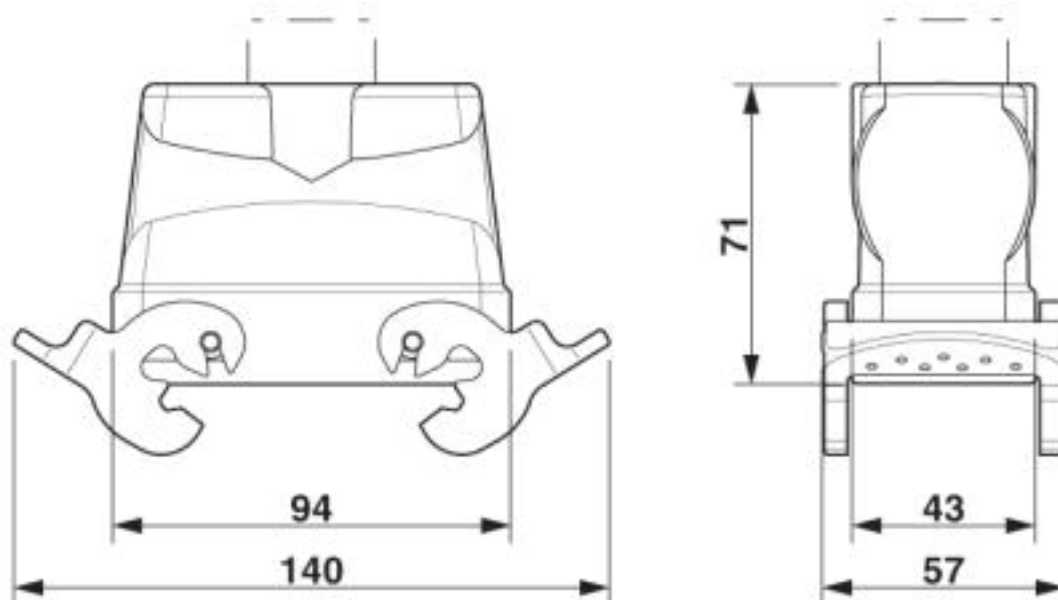
Seal material	NBR
Material lock	High-grade steel, handle: PA-GF
Material grip body interlock	PA-GF

Environmental Product Compliance

China RoHS	Environmentally friendly use period: unlimited = EFUP-e
	No hazardous substances above threshold values

Drawings

Dimensional drawing



Dimensional drawing

Approvals

Approvals

Approvals

EAC

Ex Approvals

Approval details

Housing - HC-B 16-KMQ-N-O1STM32 - 1460093

Approvals

EAC



RU C-
DE.AI30.B.01102

Phoenix Contact 2019 © - all rights reserved
<http://www.phoenixcontact.com>

PHOENIX CONTACT GmbH & Co. KG
Flachsmarktstr. 8
32825 Blomberg
Germany
Tel. +49 5235 300
Fax +49 5235 3 41200
<http://www.phoenixcontact.com>