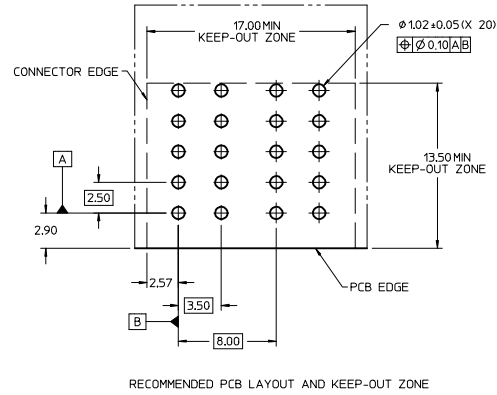
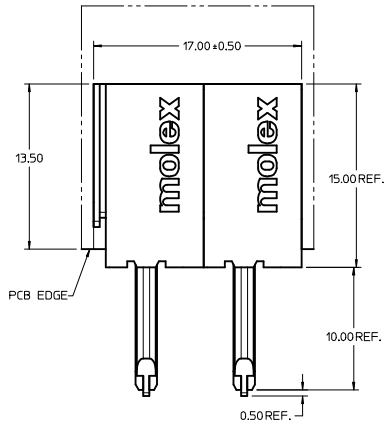
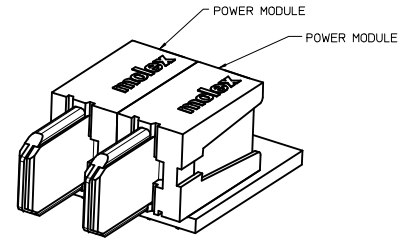
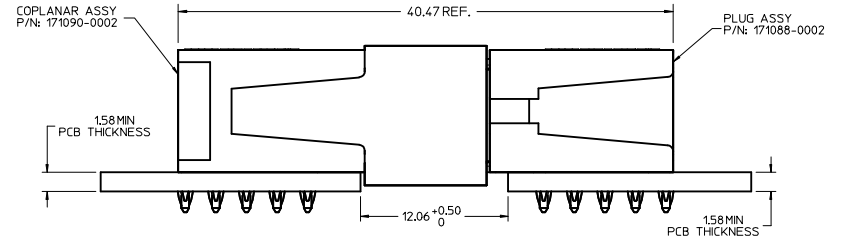
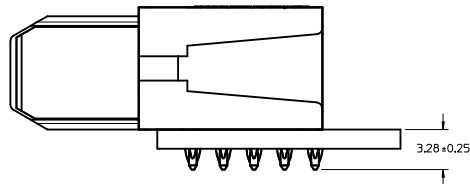
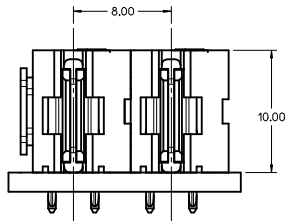


3D MODEL NO: TM-171088-0002



RECOMMENDED PCB LAYOUT AND KEEP-OUT ZONE



P/N: 171088-0002

NOTES:

- MATERIAL:
  - HOUSINGS: HIGH TEMPERATURE PLASTIC (LCP OR EQUIVALENT).
  - TERMINALS: HIGH CONDUCTIVITY COPPER ALLOY.
  - PLATING: 0.00127/0.000050 NICKEL OVERALL WITH 0.00254/0.00100 SELECTIVE TIN ON SOLDER TAILS AND 0.000762/0.000030 SELECTIVE GOLD ON CONTACT AREA.
- PACKAGING: ASSEMBLIES TO BE TRAY PACKED PER PACKAGING SPEC PK-171090-xxx.
- INDIVIDUAL MODULES ARE RATED FOR VARIOUS VOLTAGE AND CURRENT RATINGS PER PS-171088-0000.
- PC BOARD REQUIRES SOLDER THRU HOLES, REFER TO PS-46436-100 FOR DETAILS.
- PRODUCT TO MEET RoHS REQUIREMENTS.
- ASSEMBLY MATES TO MOLEX RECEPTACLE ASSEMBLY, P/N 171090-0002.
- POWER CIRCUITS WILL BE LUBRICATED AFTER 10/31/2014. (GCN PENDING)

<b>ADD NOTE 7</b> IEC NO. UCP2014-4249 DRAWN BY: CHYKYLIN 2014/05/14 CHECKED BY: APATEL 2014/05/21 APPR: APATEL 2014/05/23	QUALITY SYMBOLS	GENERAL TOLERANCES (UNLESS SPECIFIED)	DIMENSION STYLE	SCALE	DESIGN UNITS	THIRD ANGLE PROJECTION
	▽=0	mm INCH	MM ONLY	5:1	METRIC	☉
	▽=0	4 PLACES ± --- ± ---	DRAWN BY: VLIN DATE: 2011/05/04	TITLE: TEN60 SPLIT POWER DOVE TAILED PLUG ASSY 2 CKT PRESS FIT TAILS		
	▽=0	3 PLACES ± --- ± ---	CHECKED BY: VLIN DATE: 2011/05/17	MOLEX INCORPORATED		
	2 PLACES ± 0.13 ± ---	APPROVED BY: APATEL DATE: 2011/05/26	MATERIAL NO. 171088-0002	DOCUMENT NO. SD-171088-0002	SHEET NO. 1 OF 1	
	1 PLACE ± 0.25 ± ---	ANGULAR ±1/2°	THIS DRAWING CONTAINS INFORMATION THAT IS PROPRIETARY TO MOLEX INCORPORATED AND SHOULD NOT BE USED WITHOUT WRITTEN PERMISSION			