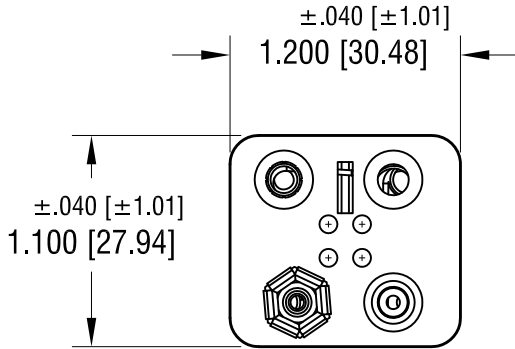
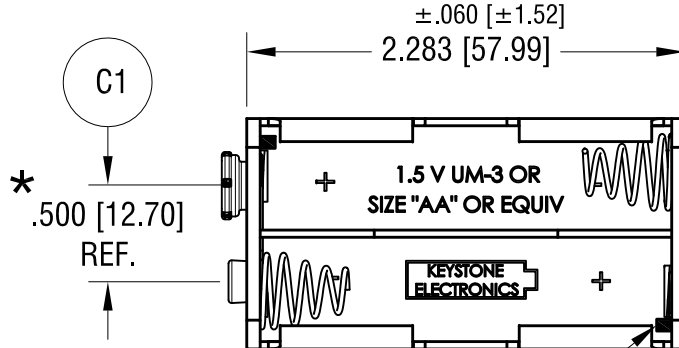
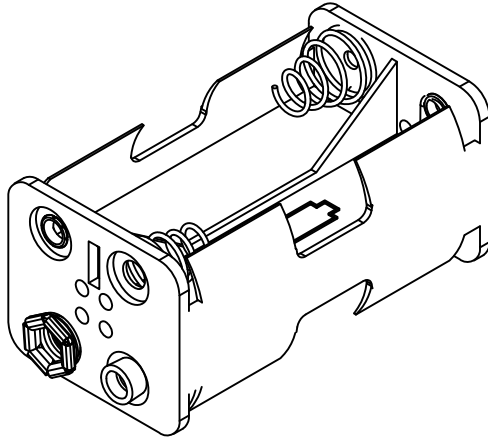
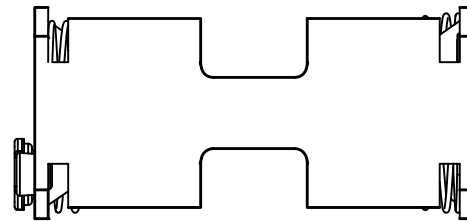


THIS DOCUMENT IS THE PROPERTY OF KEYSTONE ELECTRONICS CORP. AND SHALL NOT BE REPRODUCED, DISTRIBUTED OR USED AS A BASIS FOR MANUFACTURE WITHOUT PRIOR WRITTEN PERMISSION FROM KEYSTONE ELECTRONICS CORP.



POLARITY TAB (4) PLS



**NOTE:**

1. HOLDER: MAT'L: POLYPROPYLENE
2. SPRING: MAT'L: MUSIC WIRE, .027 [0.70] DIA.
3. CONTACT: MAT'L: BRASS
4. \* REF. DIMENSION MUST FIT INDUSTRY STANDARD 9 VOLT BATTERY.

3.09.22	ADD POLARITY TAB, (C1) WAS .500±.010 CHANGE AS PER ECN 22-051	C
7.18.14	CHANGE AS PER ECN 14-074	B
12.26.13	ECN 13-117, (A1) WAS 1.200	A
DATE	DESCRIPTION	REV.

<b>KEYSTONE ELECTRONICS CORP.</b>			
www.keyelco.com • ASTORIA, N.Y. 11105-2017 • Tel (718) 956-8900			
PART NAME BATTERY HOLDER WITH SNAP-ON, (4) 'AA'			
MATERIAL AS NOTED			
FINISH NICKEL PLATE		DRN BY BOONE	DATE 5.3.96
		APP'D LN	SCALE 1X
TOLERANCES DECIMAL ANGULAR	INCH [MM] ±.010 [±0.25] ± 1°	CODE C	DWG NO. 2476
UNLESS OTHERWISE SPECIFIED			