

## Surge protection device - TT-ST-2-PE-24DC - 2858878

Please be informed that the data shown in this PDF Document is generated from our Online Catalog. Please find the complete data in the user's documentation. Our General Terms of Use for Downloads are valid (<http://phoenixcontact.com/download>)




Spring cage modular terminal block with integrated surge protection, for assembly on NS 35/7.5, voltage  $U_N$  24 V DC, terminal width: 6.2 mm, cover width: 2.2 mm

### Your advantages

- Multi-stage modular terminal blocks with spring-cage connection
- Disconnection of signal circuits by disconnect knife



### Key Commercial Data

Packing unit	10 pc
GTIN	 4 017918 939120
GTIN	4017918939120

### Technical data

#### Dimensions

Height	100 mm
Width	6.2 mm
Depth	63.5 mm

#### Ambient conditions

Ambient temperature (operation)	-40 °C ... 85 °C
Altitude	max. 2000 m
Degree of protection	IP20

#### General

Housing material	PA 6.6
Flammability rating according to UL 94	V-0
Color	black
Standards for clearances and creepage distances	EN 60664-1

# Surge protection device - TT-ST-2-PE-24DC - 2858878

## Technical data

### General

	IEC 60664-1
Overvoltage category	III
Degree of pollution	2
Mounting type	DIN rail: 35 mm
Type	Double-level terminal block
Number of positions	2
Direction of action	Line-Line & Line-Earth Ground

### Protective circuit

IEC test classification	C1
	C2
	C3
	D1
VDE requirement class	C1
	C2
	C3
	D1
Nominal voltage $U_N$	24 V DC
Maximum continuous voltage $U_C$	30 V DC
	21 V AC
Rated current	350 mA (45 °C)
Operating effective current $I_C$ at $U_C$	$\leq 10 \mu A$
Standby power consumption $P_C$	$\leq 1.94 VA$
Residual current $I_{PE}$	$\leq 2 \mu A$
Nominal discharge current $I_n$ (8/20) $\mu s$ (line-line)	5 kA
Nominal discharge current $I_n$ (8/20) $\mu s$ (line-earth)	5 kA
Pulse discharge current $I_{imp}$ (10/350) $\mu s$	1 kA (per path)
Total discharge current $I_{total}$ (8/20) $\mu s$	10 kA
Total discharge current $I_{total}$ (10/350) $\mu s$	2 kA
Max. discharge current $I_{max}$ (8/20) $\mu s$ maximum (line-line)	5 kA
Max. discharge current $I_{max}$ (8/20) $\mu s$ maximum (line-earth)	5 kA
Nominal pulse current $I_{an}$ (10/1000) $\mu s$ (line-line)	100 A
Nominal pulse current $I_{an}$ (10/1000) $\mu s$ (line-earth)	200 A (in total)
Output voltage limitation at 1 kV/ $\mu s$ (line-line) spike	$\leq 40 V$
Output voltage limitation at 1 kV/ $\mu s$ (line-earth) spike	$\leq 600 V$
Output voltage limitation at 1 kV/ $\mu s$ (line-line) static	$\leq 40 V$
Output voltage limitation at 1 kV/ $\mu s$ (line-earth) static	$\leq 600 V$
Residual voltage at $I_n$ (line-line)	$\leq 40 V$
Voltage protection level $U_p$ (line-line)	$\leq 60 V$ (C2 - 10 kV / 5 kA)
	$\leq 40 V$ (stat.)

# Surge protection device - TT-ST-2-PE-24DC - 2858878

## Technical data

### Protective circuit

Voltage protection level $U_p$ (line-earth)	$\leq 600$ V (C2 - 10 kV / 5 kA)
Response time $t_A$ (line-line)	$\leq 1$ ns
Response time $t_A$ (line-earth)	$\leq 100$ ns
Input attenuation aE, sym.	typ. 1 dB (400 kHz/50 $\Omega$ )
	typ. 0.4 dB (150 kHz / 150 $\Omega$ )
	typ. 0.1 dB (30 kHz/600 $\Omega$ )
Cut-off frequency $f_g$ (3 dB), sym. in 50 Ohm system	3 MHz
Cut-off frequency $f_g$ (3 dB), sym. in 150 Ohm system	1 MHz
Cut-off frequency $f_g$ (3 dB), sym. in 600 Ohm system	typ. 250 kHz
Capacity (line-line)	4 nF
Capacity (line-earth)	2 pF
Resistance in series	6.6 $\Omega \pm 20$ %
Surge protection fault message	none
Max. required back-up fuse	370 mA
Impulse durability (line-line)	C2 - 10 kV / 5 kA
	C3 - 100 A
Impulse durability (line-earth)	C2 - 10 kV / 5 kA
	D1 - 1 kA
	C3 - 100 A

### Connection data

Connection method	Spring-cage connection
Connection method IN	Spring-cage
Connection method OUT	Spring-cage
Stripping length	8 mm
Conductor cross section flexible	0.2 mm <sup>2</sup> ... 2.5 mm <sup>2</sup>
Conductor cross section solid	0.2 mm <sup>2</sup> ... 4 mm <sup>2</sup>
Conductor cross section AWG	24 ... 14

### Standards and Regulations

Standards/specifications	IEC 61643-21/A1 2008
	EN 61643-21/A1 2009

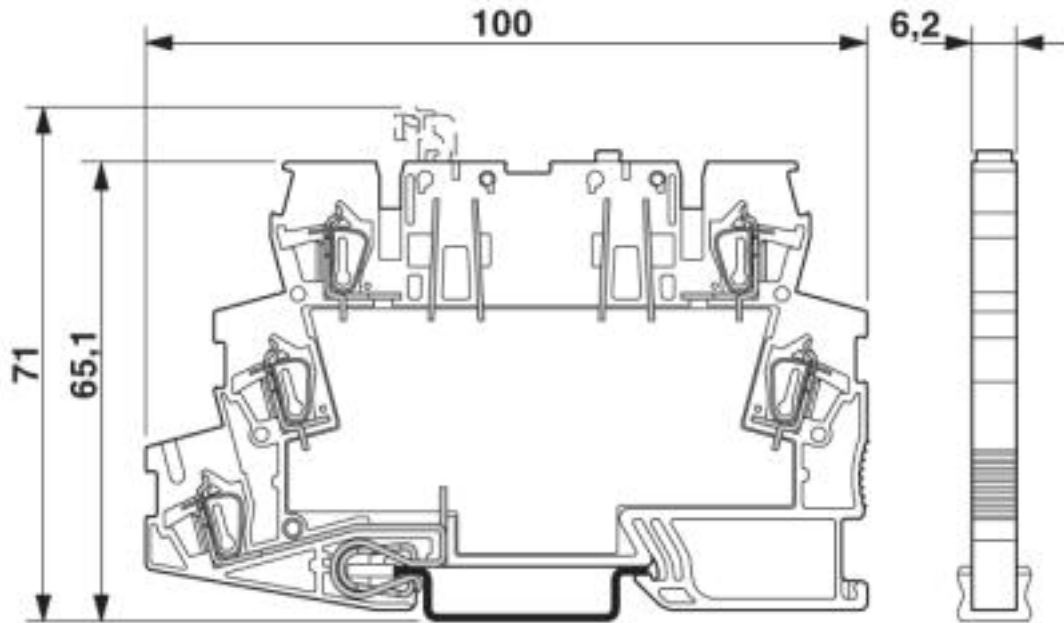
### Environmental Product Compliance

China RoHS	Environmentally friendly use period: unlimited = EFUP-e
	No hazardous substances above threshold values

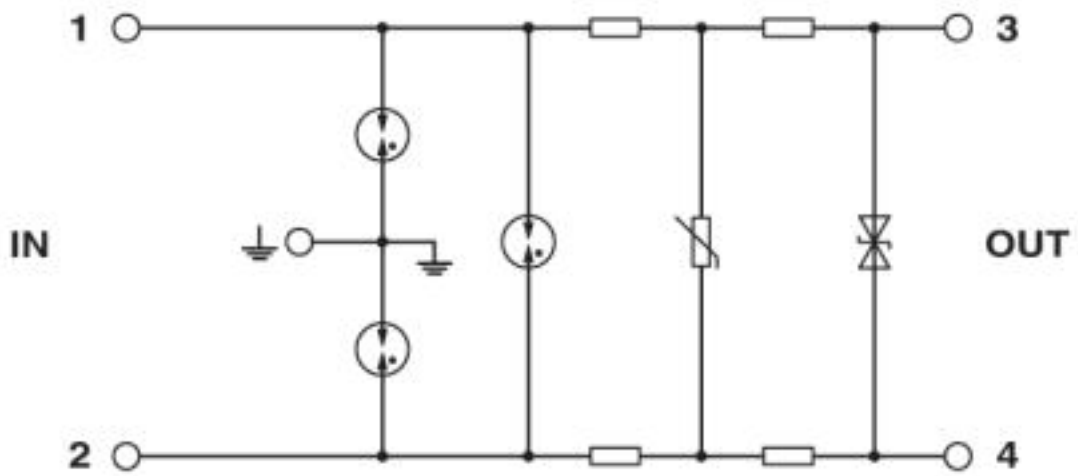
## Drawings

# Surge protection device - TT-ST-2-PE-24DC - 2858878

Dimensional drawing



Circuit diagram



Approvals

Approvals

Approvals

DNV GL / UL Listed


Ex Approvals

## Surge protection device - TT-ST-2-PE-24DC - 2858878

### Approvals

#### Approval details

DNV GL		<a href="https://approvalfinder.dnvgl.com/">https://approvalfinder.dnvgl.com/</a>	TAE00001N7
--------	---	---	------------

UL Listed		<a href="http://database.ul.com/cgi-bin/XYV/template/LISEXT/1FRAME/index.htm">http://database.ul.com/cgi-bin/XYV/template/LISEXT/1FRAME/index.htm</a>	FILE E 138168
-----------	---	---	---------------

Phoenix Contact 2019 © - all rights reserved  
<http://www.phoenixcontact.com>

PHOENIX CONTACT GmbH & Co. KG  
Flachsmarktstr. 8  
32825 Blomberg  
Germany  
Tel. +49 5235 300  
Fax +49 5235 3 41200  
<http://www.phoenixcontact.com>