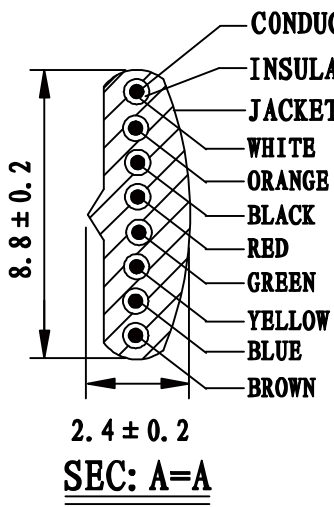


PACKAGE: INDIVIDUAL PE BAG.

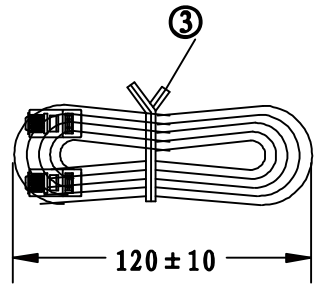


CONDUCTOR: [26AWG (0.16/7) BARE COPPER] X8C
 INSULATION: [PP6331 ID: 0.95 ± 0.03] X8C
 JACKET: PVC NOUL 65P

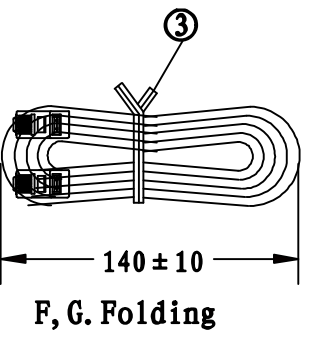
NOTE FOR PLUG:
 MATERIAL: HOUSING-POLYCARBONATE, CLEAR.
 TERMINAL-0.36 [.014] THICK PHOSPHOR BRONZE.
 THICK GOLD IN LOCALIZED GOLD PLATE.
 AREA, GOLD FLASH OVER THE REMAINDER.
 OVER 2.54um [.000100] THICK NICKEL
 UNDERPLATE.

P1	P2
1 WHITE	1
2 ORANGE	2
3 BLACK	3
4 RED	4
5 GREEN	5
6 YELLOW	6
7 BLUE	7
8 BROWN	8

NO	ITEM	DESCRIPTION	Q' TY
①	CABLE		1 PCS
②	PLUG	8P8C 50U"	2 PCS
③	CABLE TIE		1 PCS
④			
⑤			
⑥			



PART NO	DRAWING NO	WIRE LENTH "L"	BUYER COLOR	VENDOR COLOR	CUT LENGTH
512-26-8800-SV-0005F	A	1525 ± 20 (5FT)	Silver	S49-1 LIGHT	1525-1535MM
512-26-8800-SV-0007F	B	2135 ± 30 (7FT)	Silver	S49-1 LIGHT	2135-2145MM
512-26-8800-SV-0010F	C	3050 ± 60 (10FT)	Silver	S49-1 LIGHT	3050-3060MM
512-26-8800-SV-0012F	D	3660 ± 60 (12FT)	Silver	S49-1 LIGHT	3660-3670MM
512-26-8800-SV-0014F	B	4270 ± 60 (14FT)	Silver	S49-1 LIGHT	4270-4280MM
512-26-8800-SV-0025F	F	7625 ± 100 (25FT)	Silver	S49-1 LIGHT	7625-7635MM
512-26-8800-SV-0050F	G	15250 ± 150 (50FT)	Silver	S49-1 LIGHT	15250-15260



REVISE	VERSION	BASIS	CONTENTS
12-02-20	A/0	T0210A	NEW DRAWING

CnC Tech, LLC	
Industrial Cable and Connector Technology	
IDRAWING NO: 671-325	CUSTOMER: L-671
ITEM NO: 8C CABLE P+P PLUG	UNIT: mm
DATE: 2012-02-20	ISSUE: (A/0)
DRAWN: QB	QA:
SALES DEPT:	SALES MANAGER: