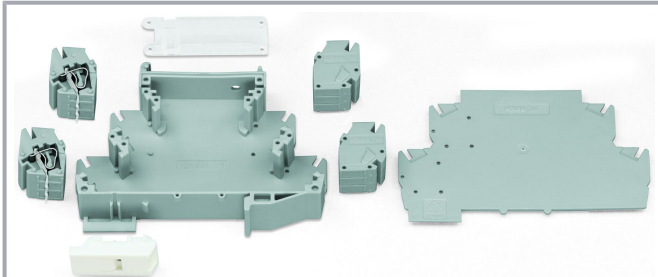


## Data sheet | Item number: 789-132

PCB terminal block; 2.5 mm<sup>2</sup>; Pin spacing 5 mm; 2,50 mm<sup>2</sup>; gray

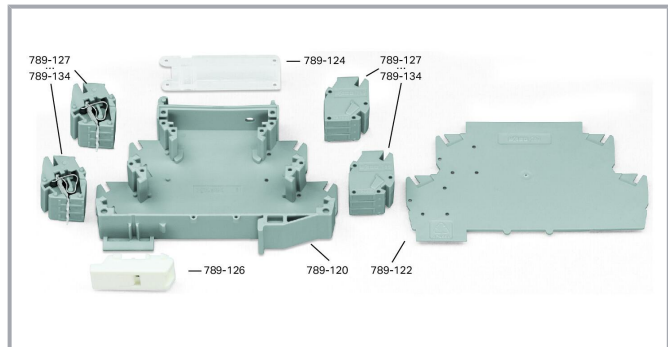
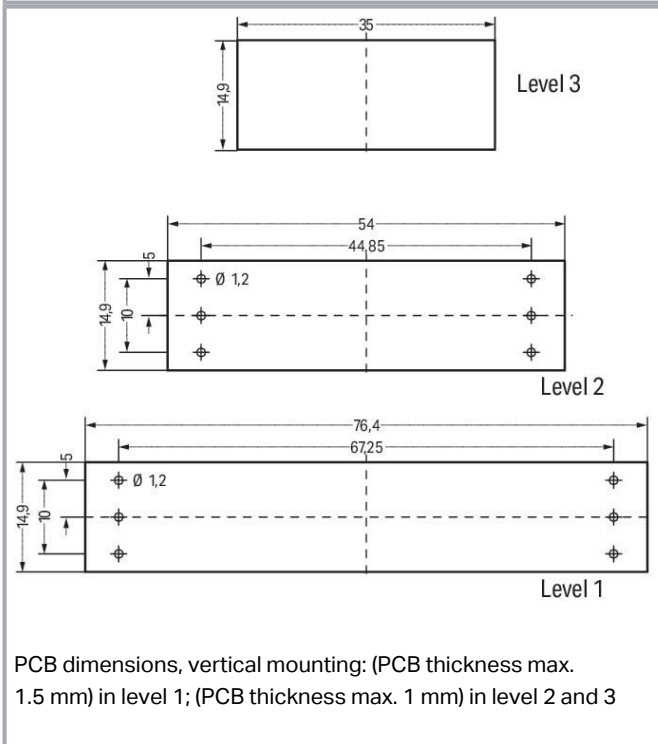
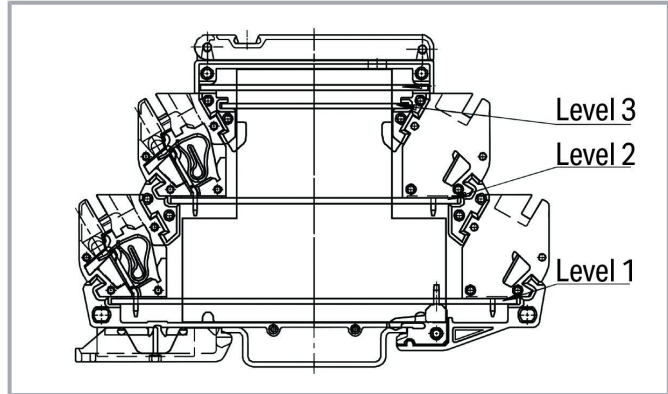
[www.wago.com/789-132](http://www.wago.com/789-132)



**i** Picture differs from the item.

Similar to picture

Color:



### Item description

Universal modular component plug housing, as rail-mount terminal block – compact terminal block, 3-pole: 000\*

Subject to changes. Please also observe the further product documentation!

WAGO GmbH & Co. KG  
Hansastr. 27  
32423 Minden  
Phone: +49571 887-0 | Fax: +49571 887-169  
Email: [info.de@wago.com](mailto:info.de@wago.com) | Web: [www.wago.com](http://www.wago.com)

Do you have any questions about our products?  
We are always happy to take your call at +49 (571) 887-44222.



(\*C = with clamping spring; O = without clamping spring; Housing open on the right side)

## Data

### Connection data

Pole number	3
Connections (number)	1

### Mechanical Data

Housing design	DIN-rail-mount enclosure
Suitable	for 789-120

### Material Data

Color	gray
Insulation material	Polyamide (PA66)
Flammability class per UL94	V0
Fire load	0.057 MJ
Weight	1.9 g

### Environmental requirements

Processing temperature	-25 ... +70 °C
------------------------	----------------

### Commercial data






Product Group	6 (INTERFACE ELECTRONIC)
eCl@ss 10.0	27-18-27-02
eCl@ss 9.0	27-18-27-02
ETIM 8.0	EC001031
ETIM 7.0	EC001031
PU (SPU)	100 (1) pcs
Packaging type	Box
Country of origin	DE
GTIN	4044918112949
Customs tariff number	85369010000

### Environmental Product Compliance

RoHS Compliance Status	Compliant, No Exemption
------------------------	-------------------------

Subject to changes. Please also observe the further product documentation!

## Optional accessories

Ferrule		
	<b>Item no.: 216-241</b> Ferrule; Sleeve for 0.5 mm <sup>2</sup> / 20 AWG; insulated; electro-tin plated; electrolytic copper; gastight crimped; acc. to DIN 46228, Part 4/09.90; white	<a href="http://www.wago.com/216-241">www.wago.com/216-241</a>
	<b>Item no.: 216-242</b> Ferrule; Sleeve for 0.75 mm <sup>2</sup> / 18 AWG; insulated; electro-tin plated; electrolytic copper; gastight crimped; acc. to DIN 46228, Part 4/09.90; gray	<a href="http://www.wago.com/216-242">www.wago.com/216-242</a>
	<b>Item no.: 216-243</b> Ferrule; Sleeve for 1 mm <sup>2</sup> / AWG 18; insulated; electro-tin plated; electrolytic copper; gastight crimped; acc. to DIN 46228, Part 4/09.90; red	<a href="http://www.wago.com/216-243">www.wago.com/216-243</a>
	<b>Item no.: 216-244</b> Ferrule; Sleeve for 1.5 mm <sup>2</sup> / AWG 16; insulated; electro-tin plated; electrolytic copper; gastight crimped; acc. to DIN 46228, Part 4/09.90; black	<a href="http://www.wago.com/216-244">www.wago.com/216-244</a>
System housing		
DIN-rail-mount enclosure		
	<b>Item no.: 789-120</b> Housing 55 mm; gray	<a href="http://www.wago.com/789-120">www.wago.com/789-120</a>

## Downloads

### Documentation

#### Additional Information

Disposal and Recycling	V 1.1.0	pdf	Download
Electrical and electronic equipment, Batteries, Packaging	2022 Aug 18	2.2 MB	

## CAD/CAE-Data

### CAE data

WSCAD Universe 789-132	URL	Download
ZUKEN Portal 789-132	URL	Download

### CAD data

2D/3D Models 789-132	URL	Download
----------------------	-----	----------

Subject to changes. Please also observe the further product documentation!



## Environmental Product Compliance

### Compliance Search

Environmental Product Compliance 789-132

URL

Download

PCB terminal block; 2.5 mm<sup>2</sup>; Pin spacing 5 mm; 2,50 mm<sup>2</sup>; gray

---

## Installation Notes

Subject to changes. Please also observe the further product documentation!

---

WAGO GmbH & Co. KG

Hansastr. 27

32423 Minden

Phone: +49571 887-0 | Fax: +49571 887-169

Email: [info.de@wago.com](mailto:info.de@wago.com) | Web: [www.wago.com](http://www.wago.com)

Do you have any questions about our products?

We are always happy to take your call at +49 (571) 887-44222.