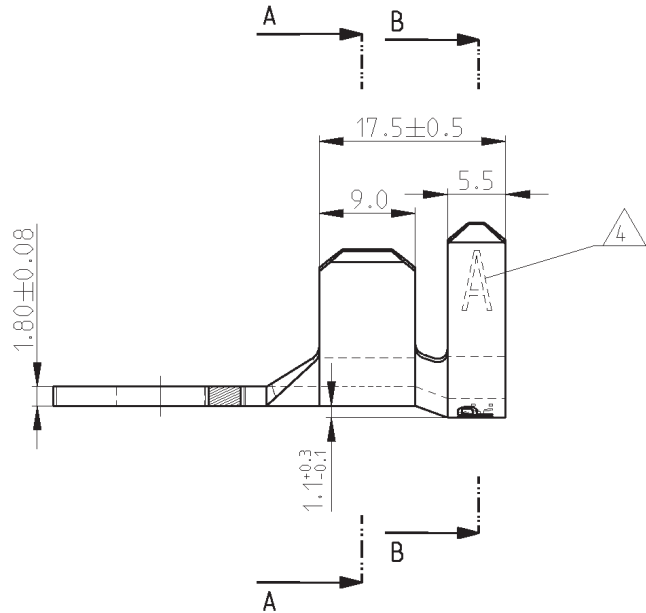
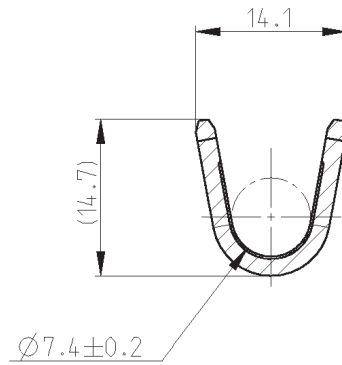


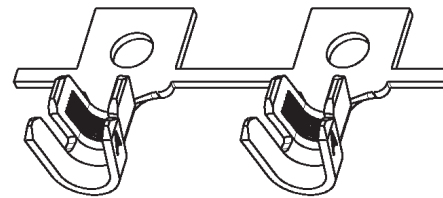
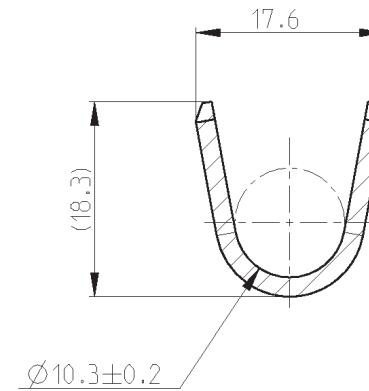
LOC	DIST	REVISIONS					
A1	01	P	LTR	DESCRIPTION	DATE	DWN	APVD
		A4		REVISED PER ECR-19-017995	09DEC2019	PC	MK



SCHNITT A-A

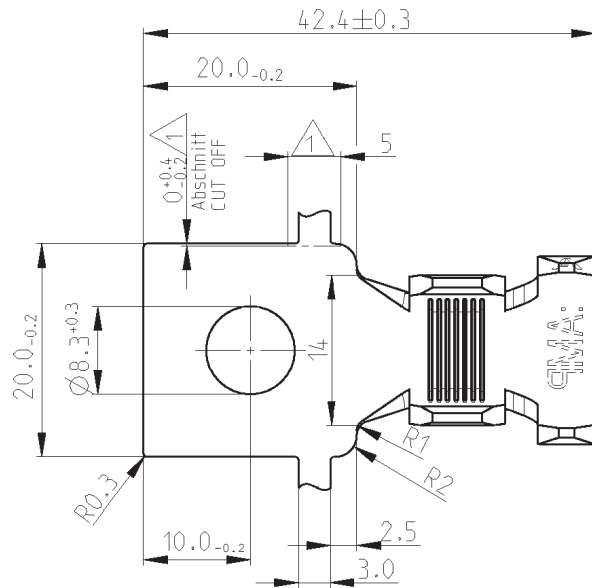


SCHNITT B-B



MASSTAB 1:1

- 1 Massangabe fuer Anschlagwerkzeug  
DIMENSION FOR APPLICATOR
- 2 Drahtgrossenbereich/WIRE RANGE: 25 - 35mm<sup>2</sup>  
Isolationsdurchmesser/INSUL. RANGE: 8.5 - 11.5mm<sup>2</sup>
- 3 Teile auf Kunststoffspule aufgewickelt (nicht unterbrechungsfrei)  
Menge/Spule: 450  
PARTS REELED ON PLASTIC-REEL (NOT SPLICE FREE)  
QUANTITY/REEL: 450
- 4 Aenderungsstand des Produktes  
REVISIONSTATUS OF PRODUCT



OBSOLETE			929928-2-
PLAIN / Blank	CuSn 4	DIN EN 1652	auf Anfrage
PLAIN / Blank	CuZn30	DIN EN 1652	929 928-1
FINISH/Oberflaeche	MATERIAL		PART NO/Bestell-Nr.

THIS DRAWING IS A CONTROLLED DOCUMENT FOR TYCO ELECTRONICS CORPORATION. IT IS SUBJECT TO CHANGE AND THE CONTROLLING ENGINEERING ORGANIZATION SHOULD BE CONTACTED FOR THE LATEST REVISION.		DWN	03SEP2002	<b>STE</b> TE Connectivity
		CHR	R.Liebing	
DIMENSIONS:		APVD	-	RING TONGUE Kabelschuh 8-35
mm		PRODUCT SPEC	-	
TOLERANCES UNLESS OTHERWISE SPECIFIED:		APPLICATION SPEC	-	SIZE
PLC	±0.4	WEIGHT	-	A3
1 PLC	±0.1	CUSTOMER DRAWING	-	00779
2 PLC	±0.01	SCALE	2:1	C=929928
3 PLC	±0.005	SHEET	1	OF 1
4 PLC	±0.005	REV	A4	
ANGLES	±0.5			