

MATERIALS & SPECIFICATIONS

PART NO.	A 29050-025	REV	ECO	DATE	APP
		B	96328	11-20-09	TLM

HOUSING:
ALUMINUM 6061-T6, NICKEL PLATE PER
AMS-C-26074

INSULATOR:
LIQUID CRYSTAL POLYMER (LCP) PER
ASTM D5138

CONTACT:
COPPER ALLOY PER MIL-DTL-32139,
GOLD PLATED PER ASTM B488, (HARD
GOLD) TYPE II CODE C, CLASS 1.27

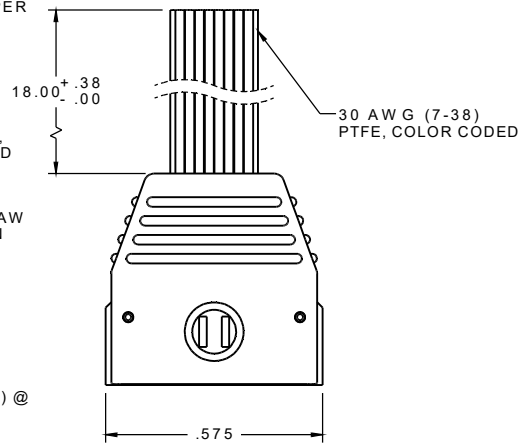
WIRE:
NEMA HP3 TYPE ET, COLOR CODED IAW
MIL-STD-681, SYSTEM 1, USING TEN
SOLID REPEATING COLORS

HARDWARE:
17-7 STAINLESS STEEL

CURRENT RATING:
1 AMP MAX PER MIL-DTL-32139

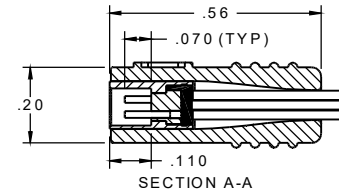
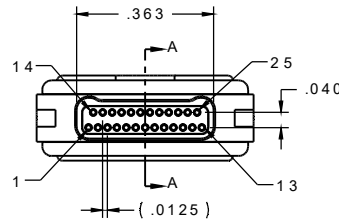
CONTACT RESISTANCE:
71 MILLIOHM MAX (71mV DROP MAX) @
1.0 AMPS PER MIL-DTL-32139

PERFORMANCE:
PRODUCT FAMILY TESTED TO AND
PASSED THE PERFORMANCE
SPECIFICATIONS OF TABLE VIII OF MIL-
DTL-32139



SOCKET #	COLOR
1, 11, 21	BLACK
2, 12, 22	BROWN
3, 13, 23	RED
4, 14, 24	ORANGE
5, 15, 25	YELLOW
6, 16	GREEN
7, 17	BLUE
8, 18	VIOLET
9, 19	GRAY
10, 20	WHITE

INTERNAL USE ONLY
USE MFG LOADING
PROCEDURE A29000-025



ACTUAL SIZE
EXCLUDING WIRE LENGTH

MINI-SLID	THIRD ANGLE	THIS DRAWING CONTAINS CONFIDENTIAL AND PROPRIETARY INFORMATION WHICH IS THE PROPERTY OF OMNETICS CONNECTOR CORP. THIS DOCUMENT MAY NOT, IN WHOLE OR IN PART, BE DUPLICATED, OR DISCLOSED FOR ANY PURPOSE, WITHOUT WRITTEN PERMISSION FROM OMNETICS CONNECTOR CORP.	DATE: 1/28/2008	TITLE: (25) SOCKET FEMALE LATCHING Bi-Lobe® CONNECTOR	CAGE CODE 61873 DWG NO. A29050-025			
	-TOLERANCES-					DFTM. JPF	DATE	SCALE: 3:1
	UNLESS OTHERWISE NOTED					CHK'D.	DATE	REV B
	DIMENSIONS IN INCHES					APP'D.	DATE	

OMNETICS
CONNECTOR CORPORATION
7260 COMMERCE CIRCLE EAST
MINNEAPOLIS, MN 55432
WWW.OMNETICS.COM